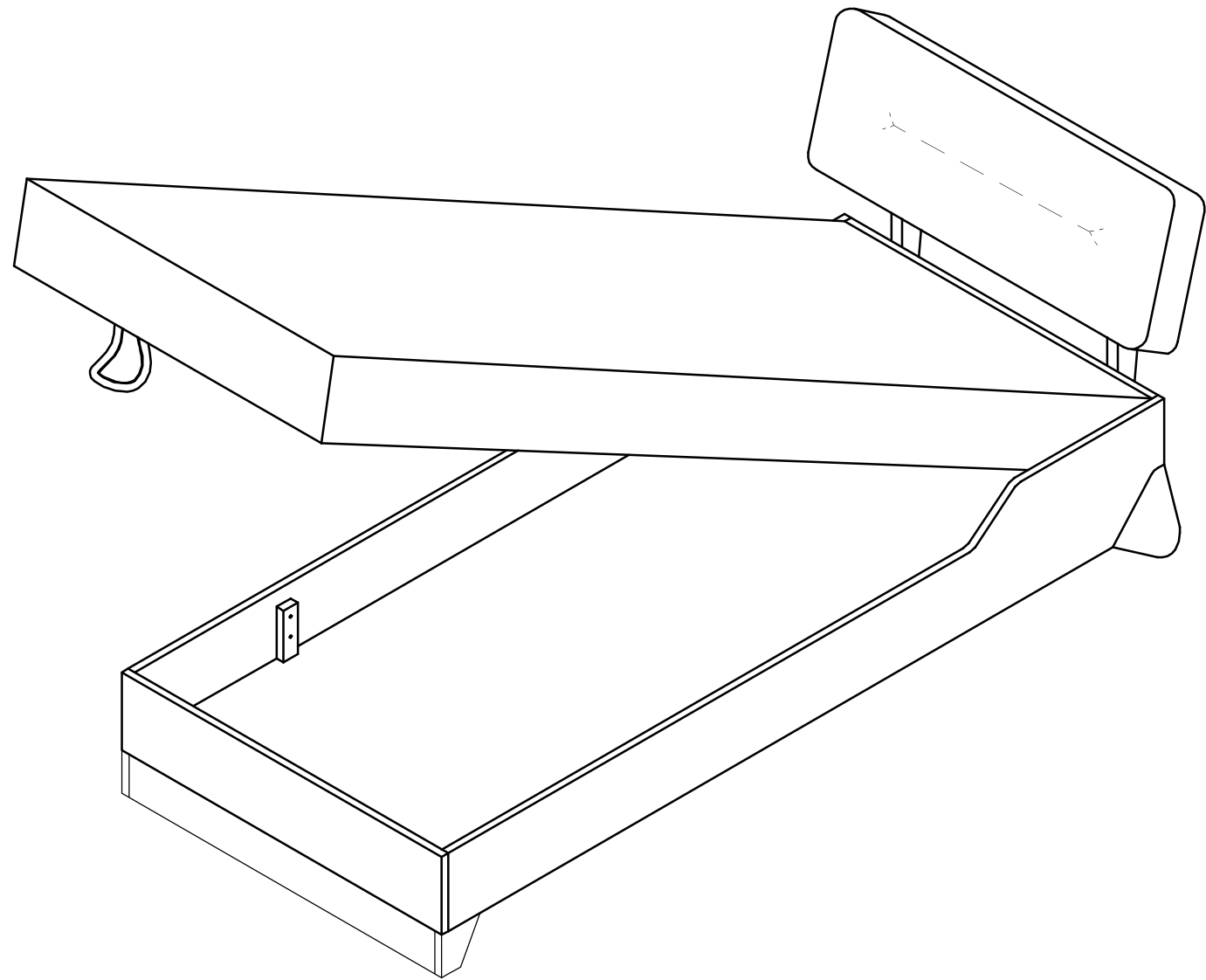
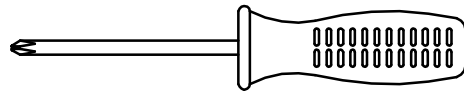
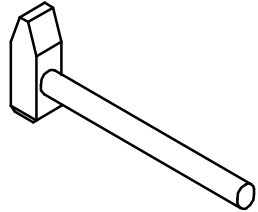
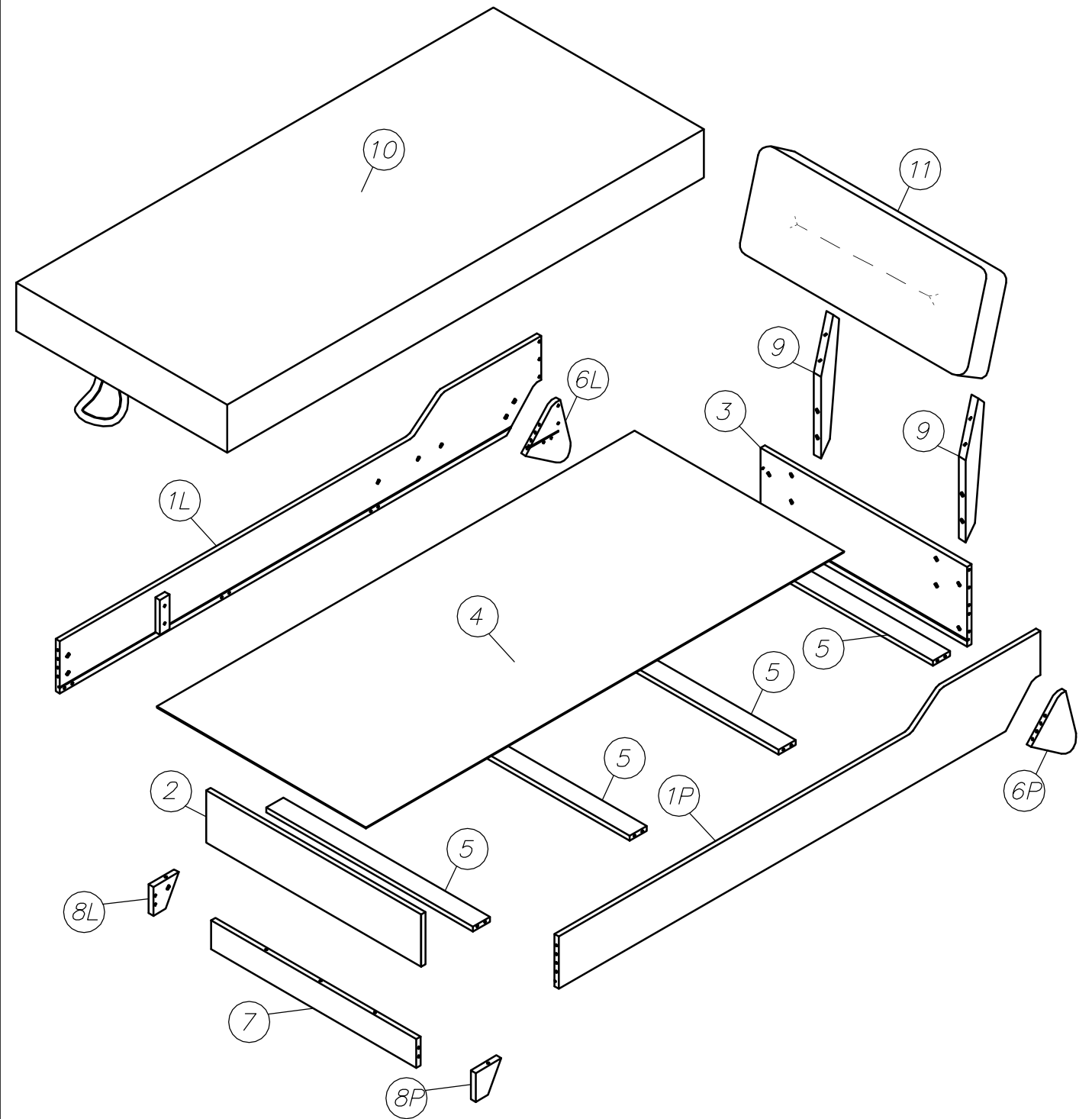



timooore

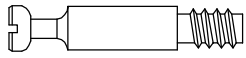
BEEP COLLECTION




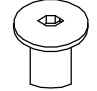
DEFINE
furniture





 **A** x 28
8 x 35


 **B** x 23

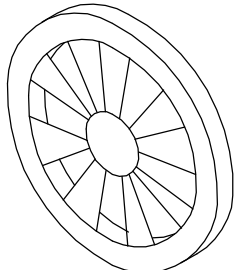
pt. 18
 **C** x 23


 **D** x 4

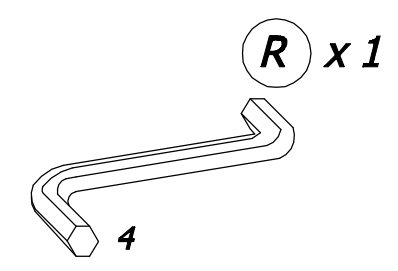
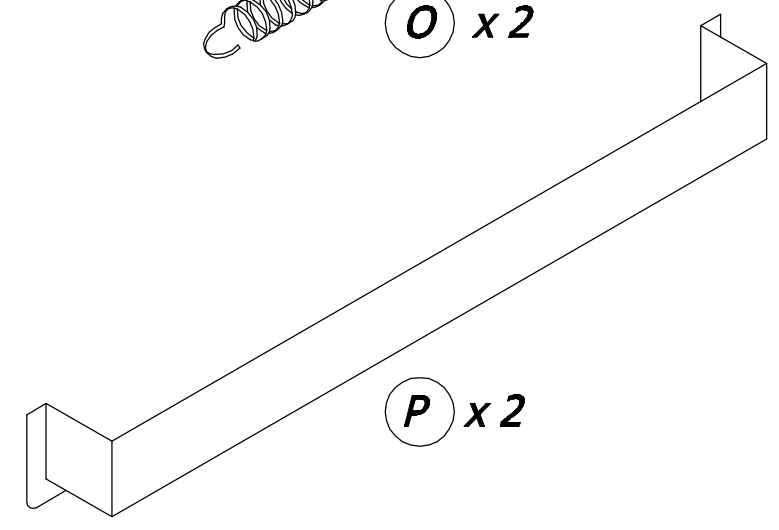
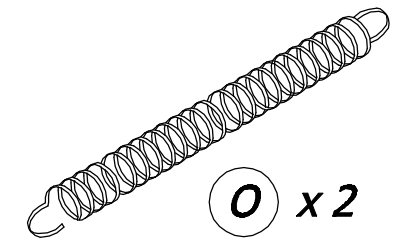
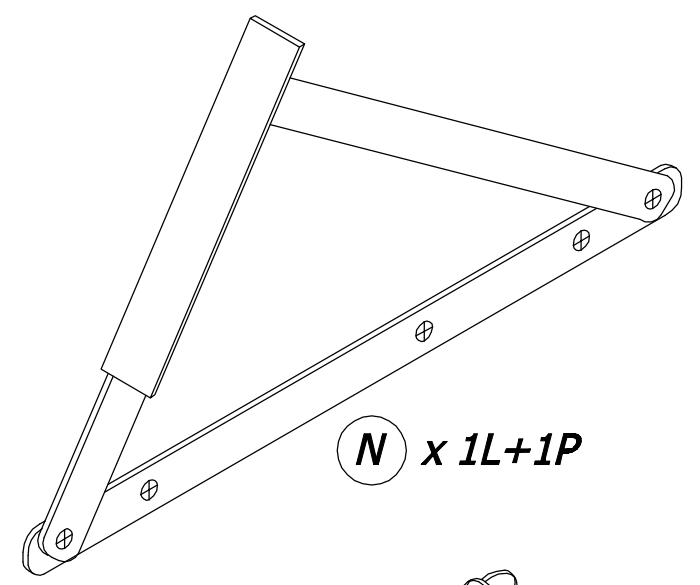
 **E** x 8
M6 x 40

 **H** x 6
M6 x 12

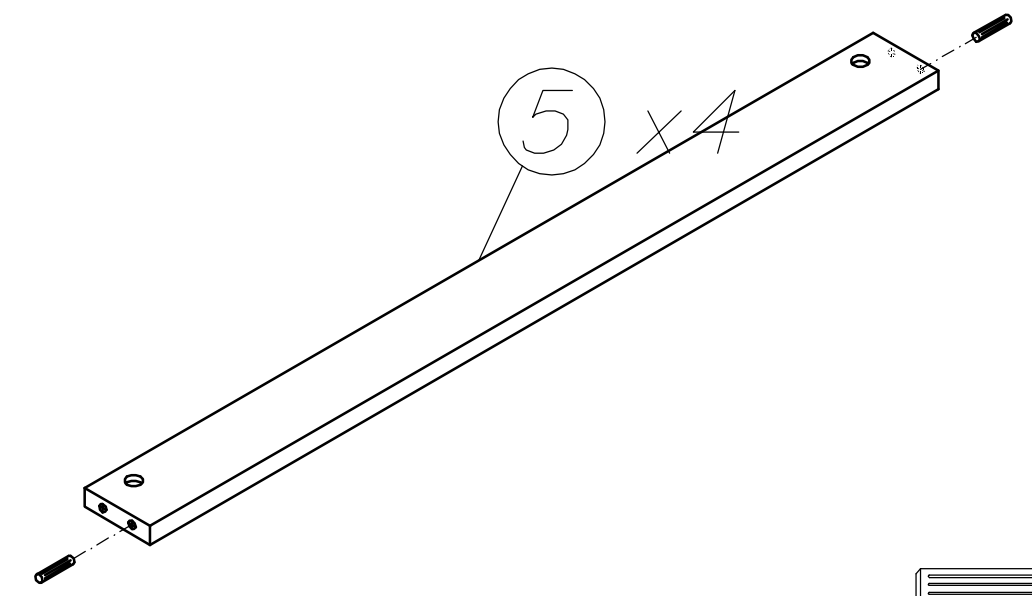
 **K** x 6
16 x 4


 **L** x 2

 **M** x 6

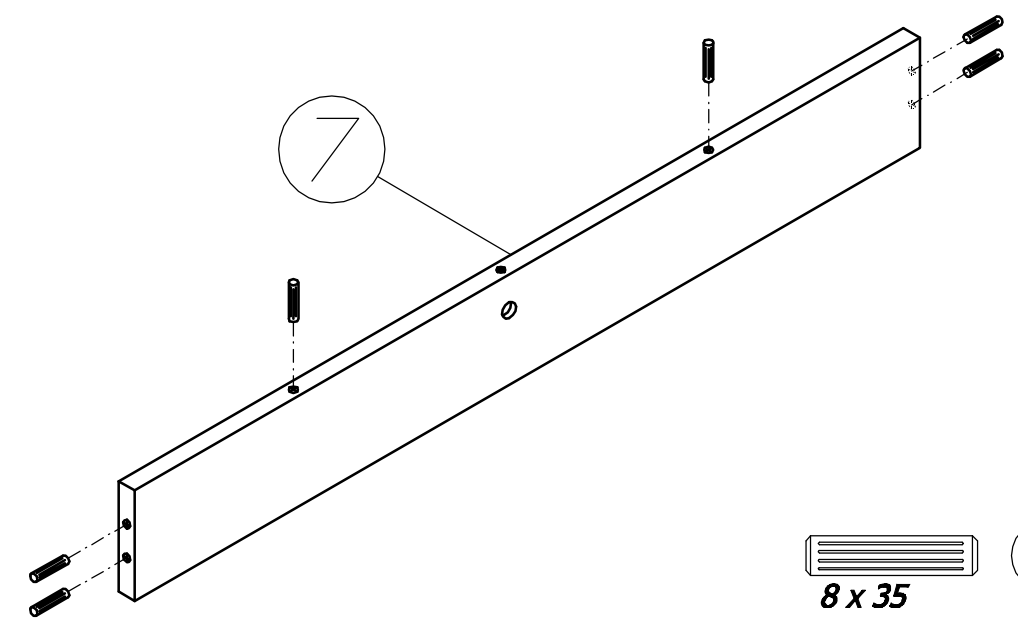



1



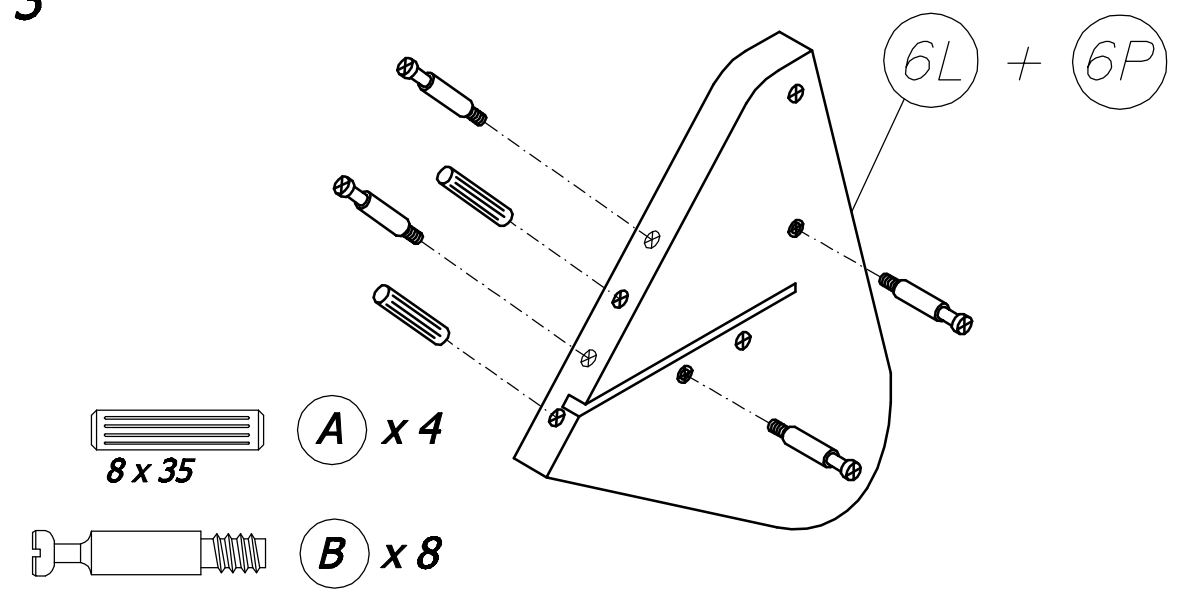
 **A** x 8
8 x 35

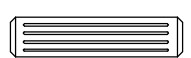
2




 **A** x 6
8 x 35

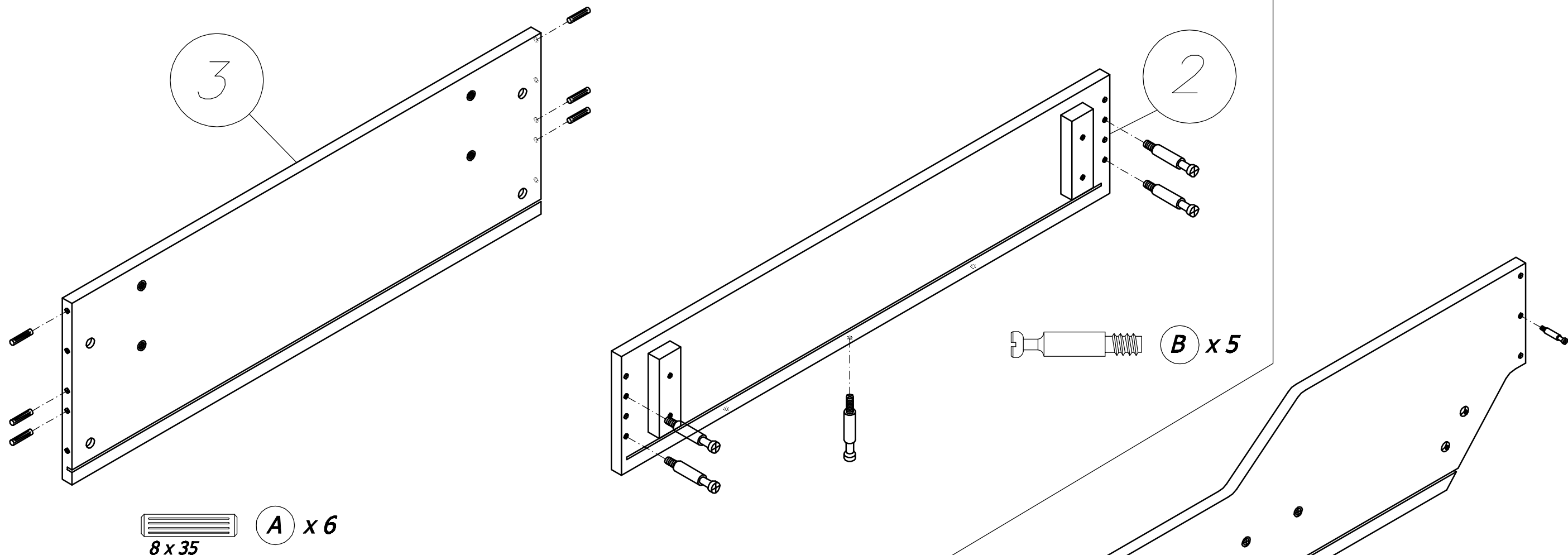
3



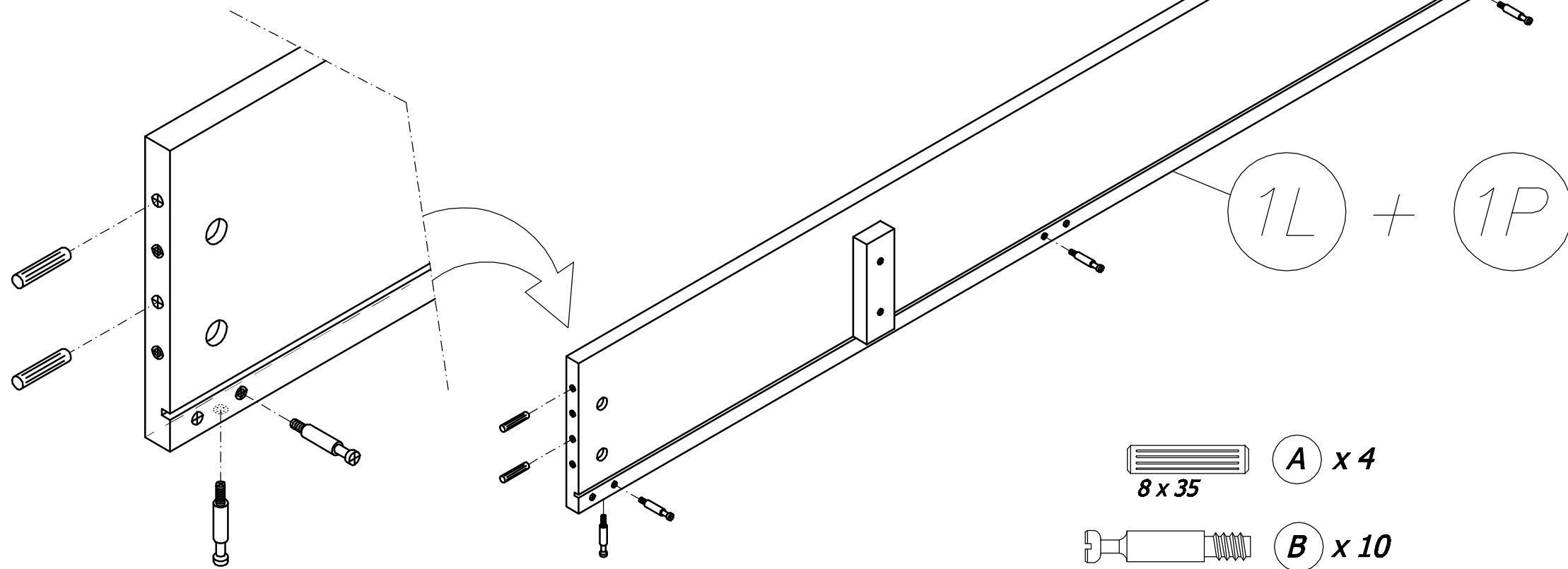
 **A** x 4
8 x 35

 **B** x 8

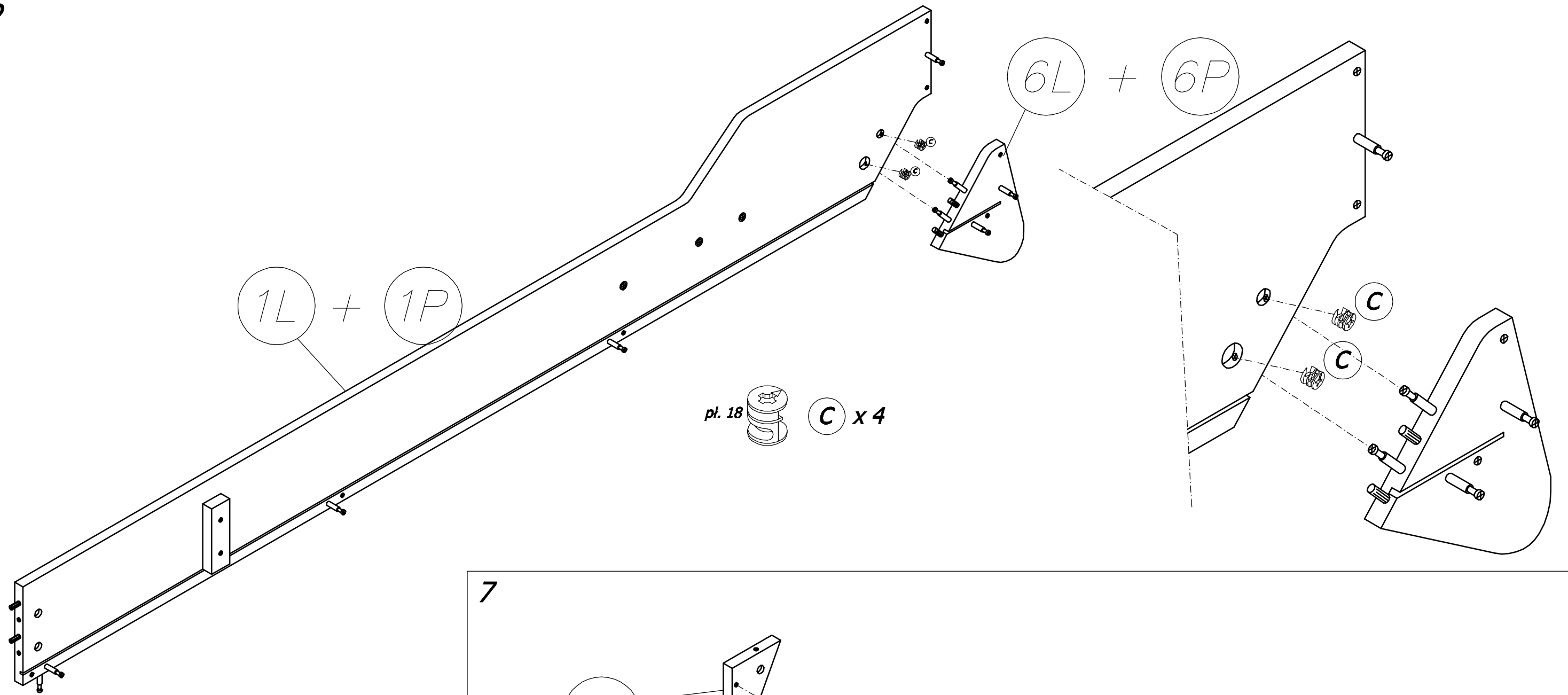
4



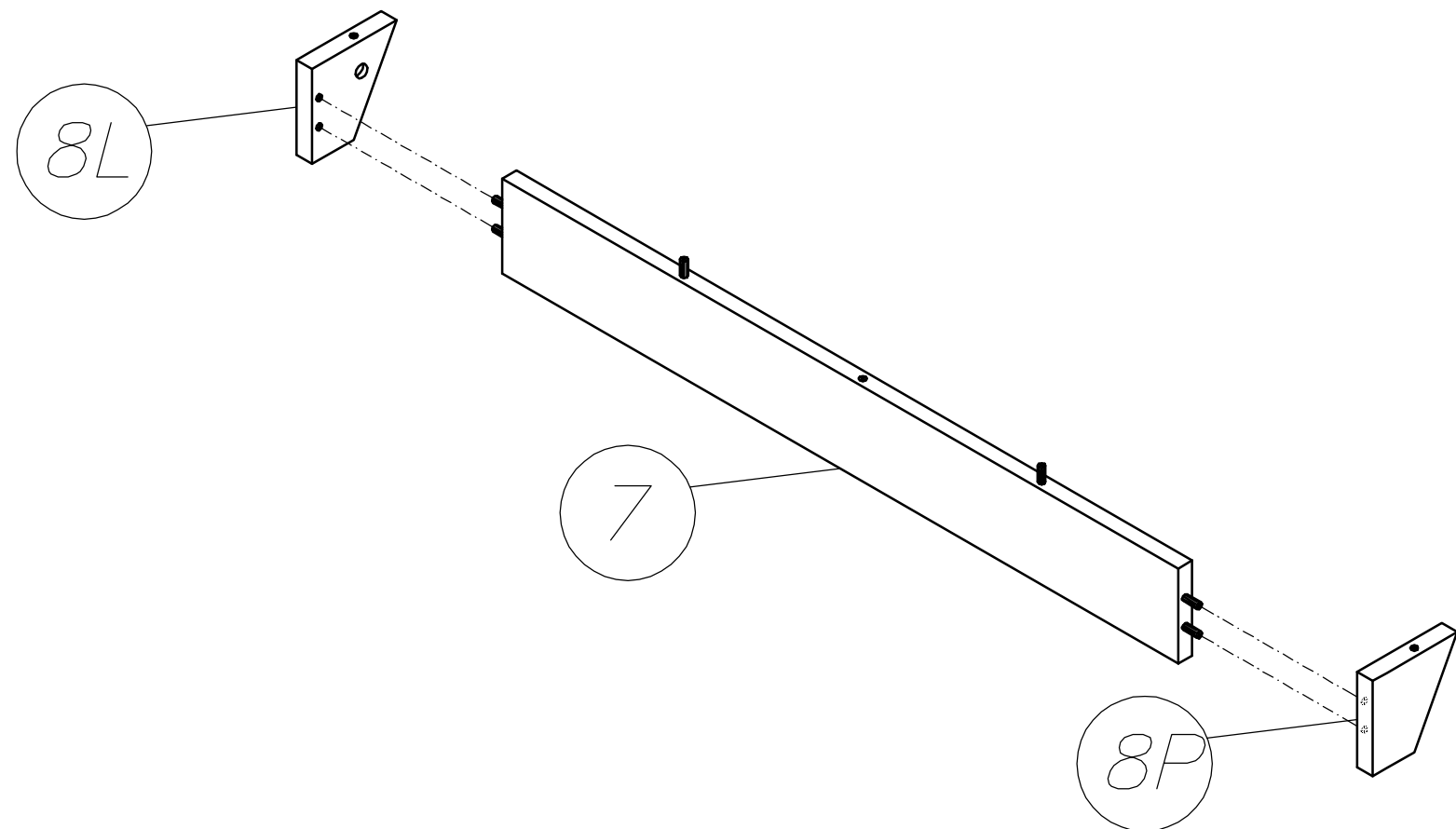
5

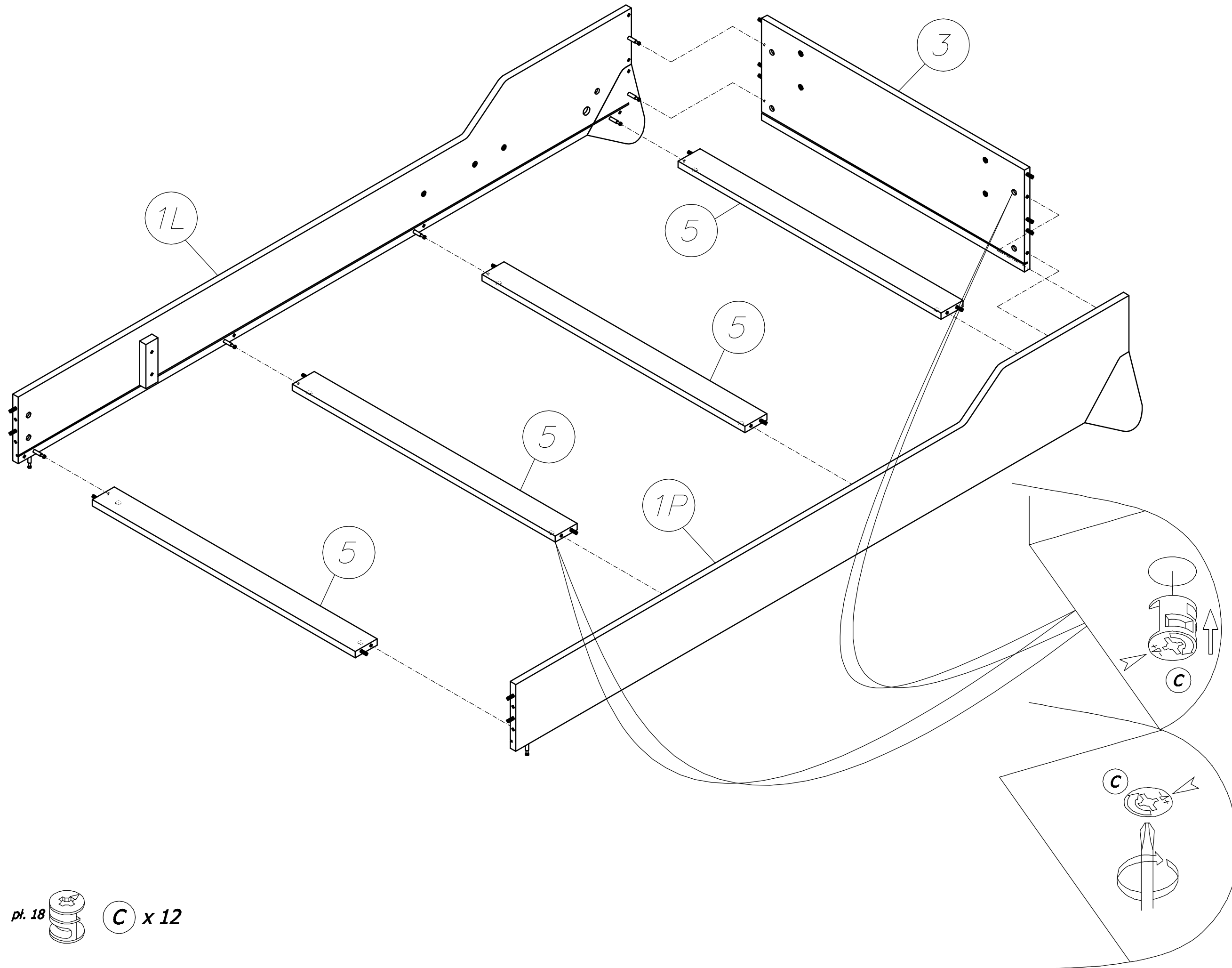


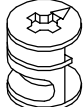
6



7

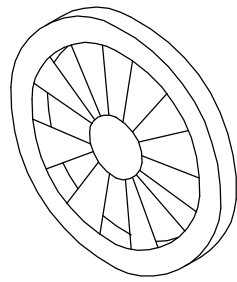
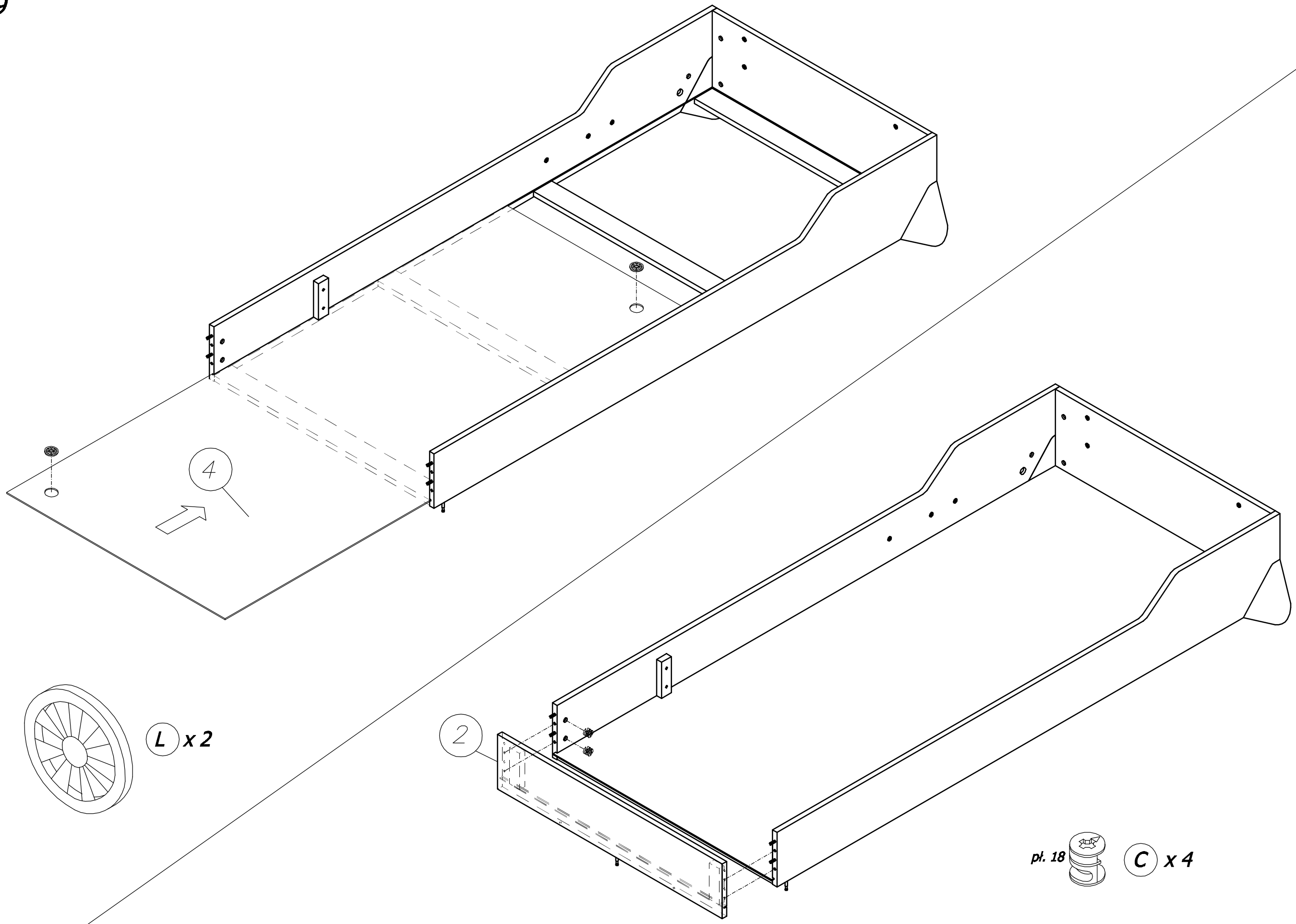




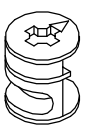
pt. 18  **C** x 12

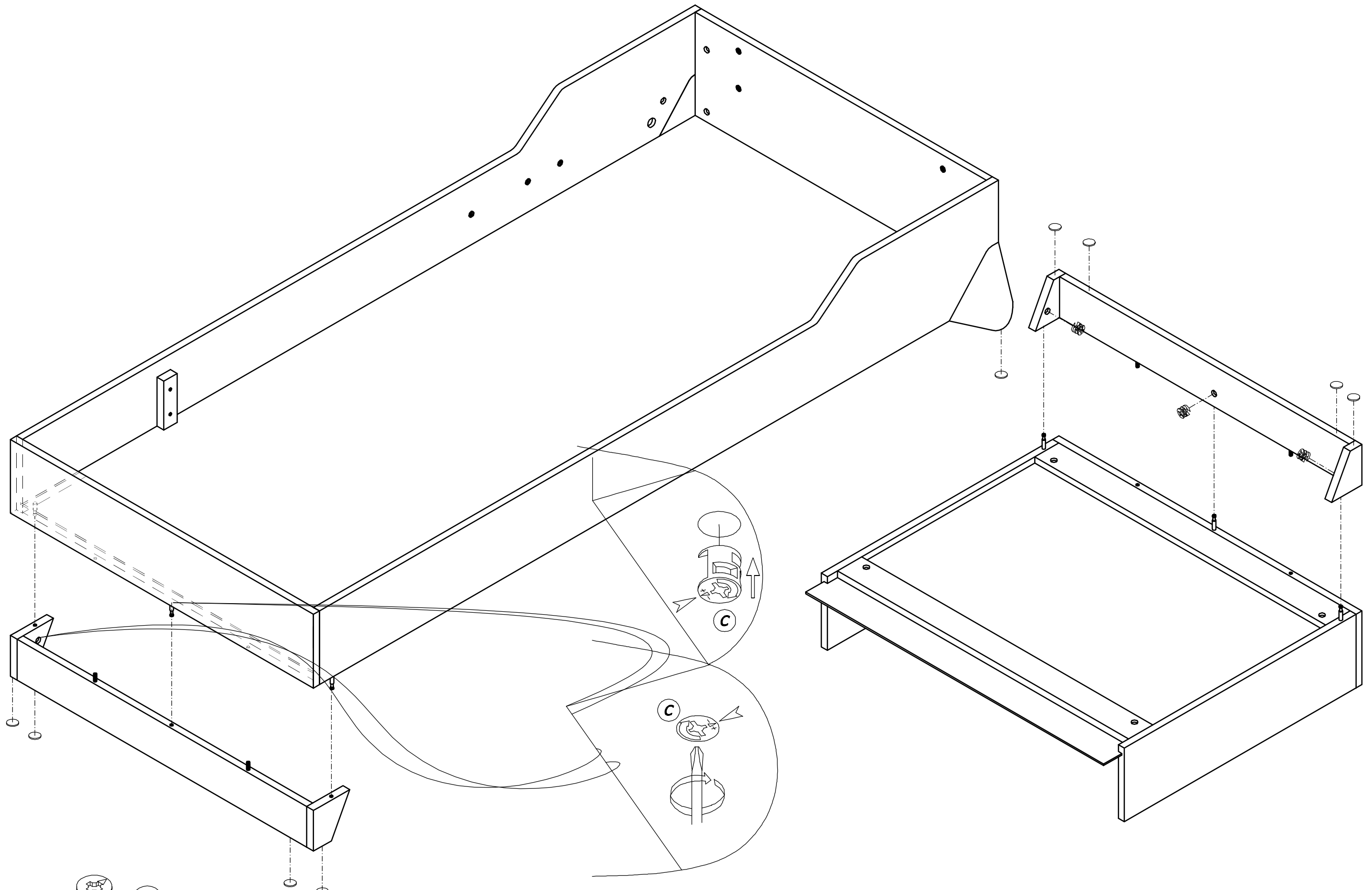
9

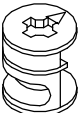
10

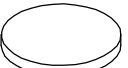


L x 2

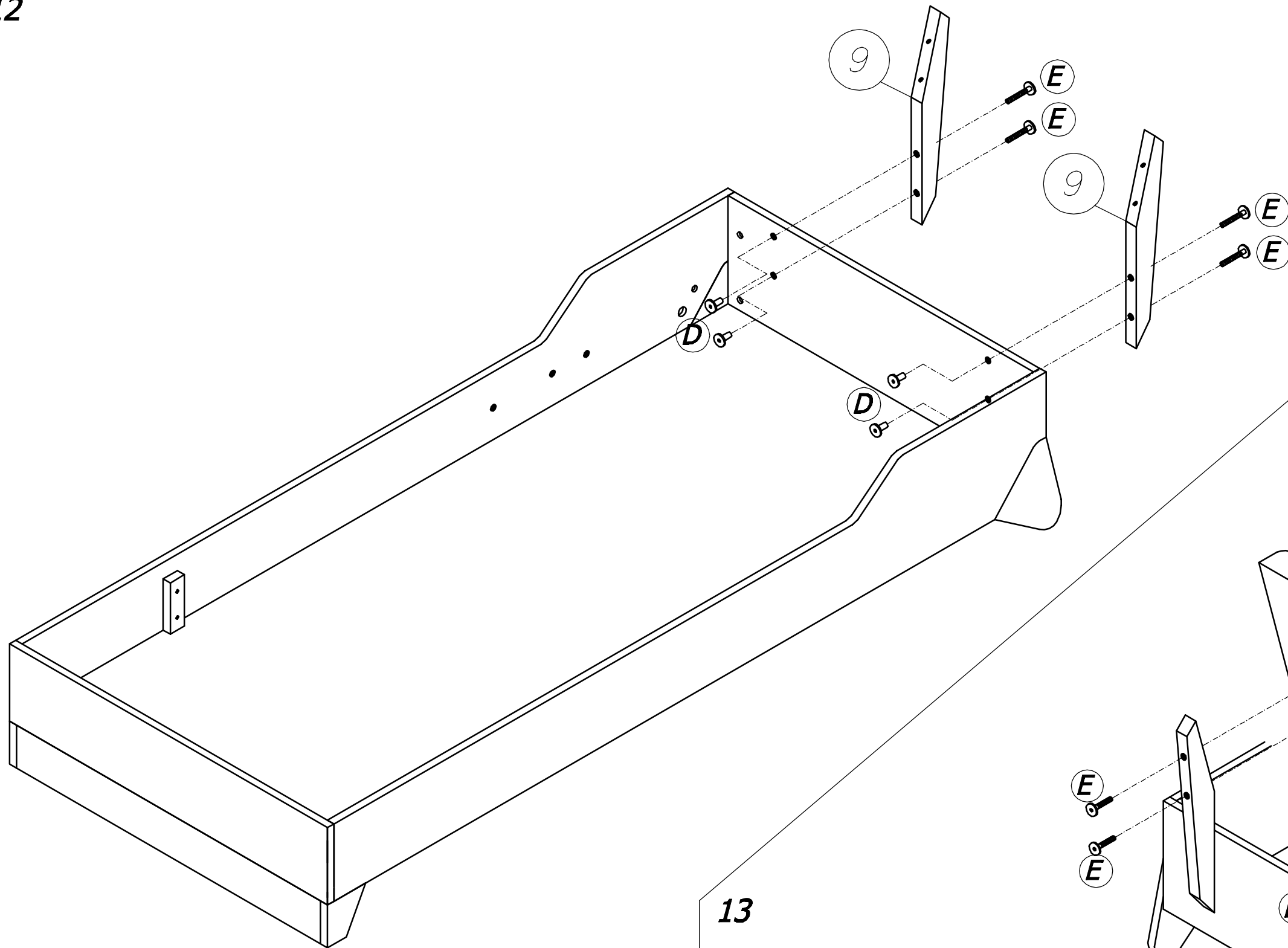
pl. 18  C x 4

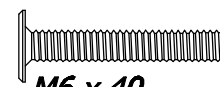
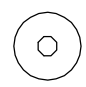


pt. 18  **C** x 3

 **M** x 6


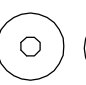
12

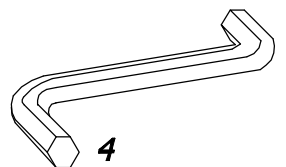


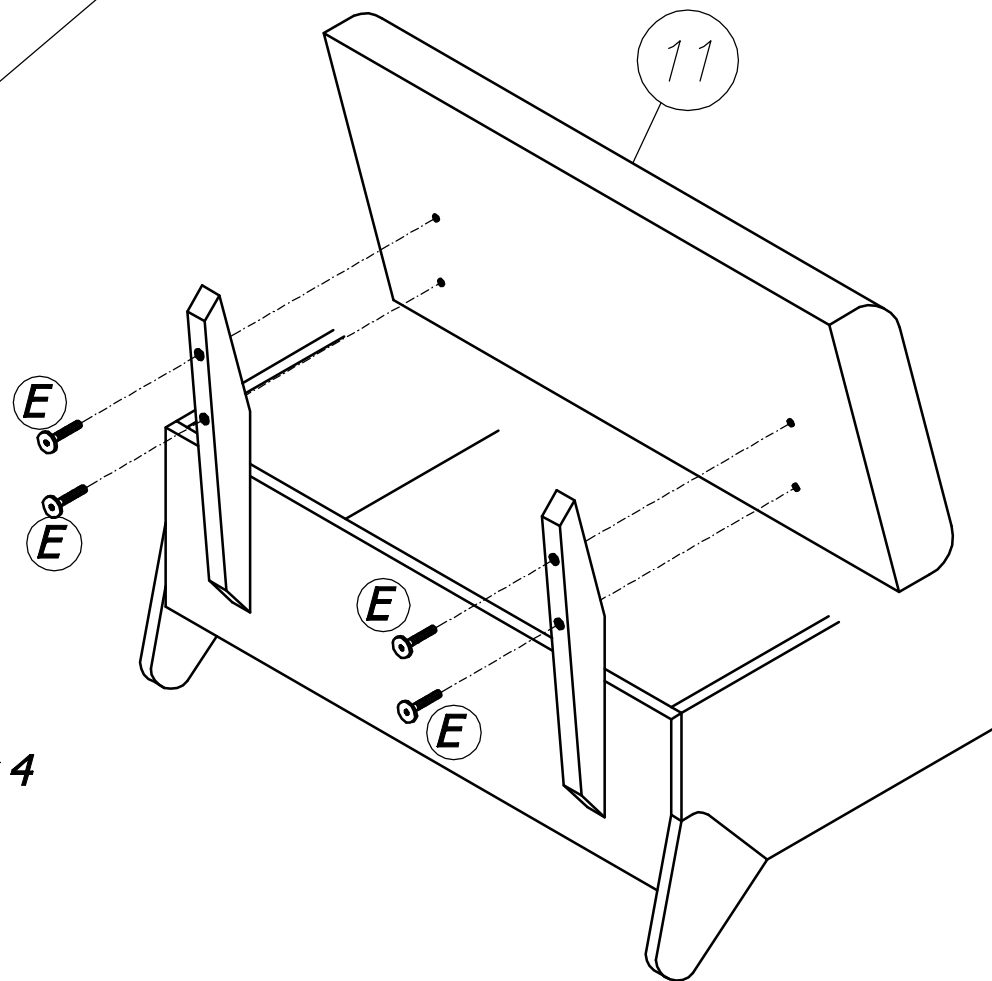
 $M6 \times 40$  $E \times 4$

 $D \times 4$

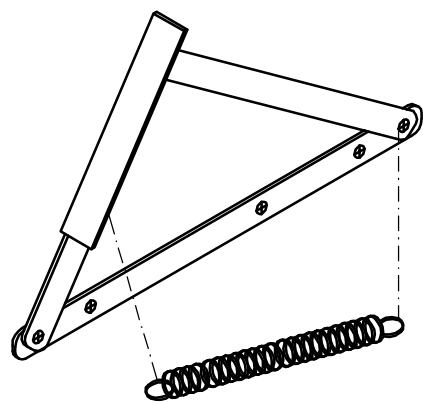
13

 $M6 \times 40$  $E \times 4$

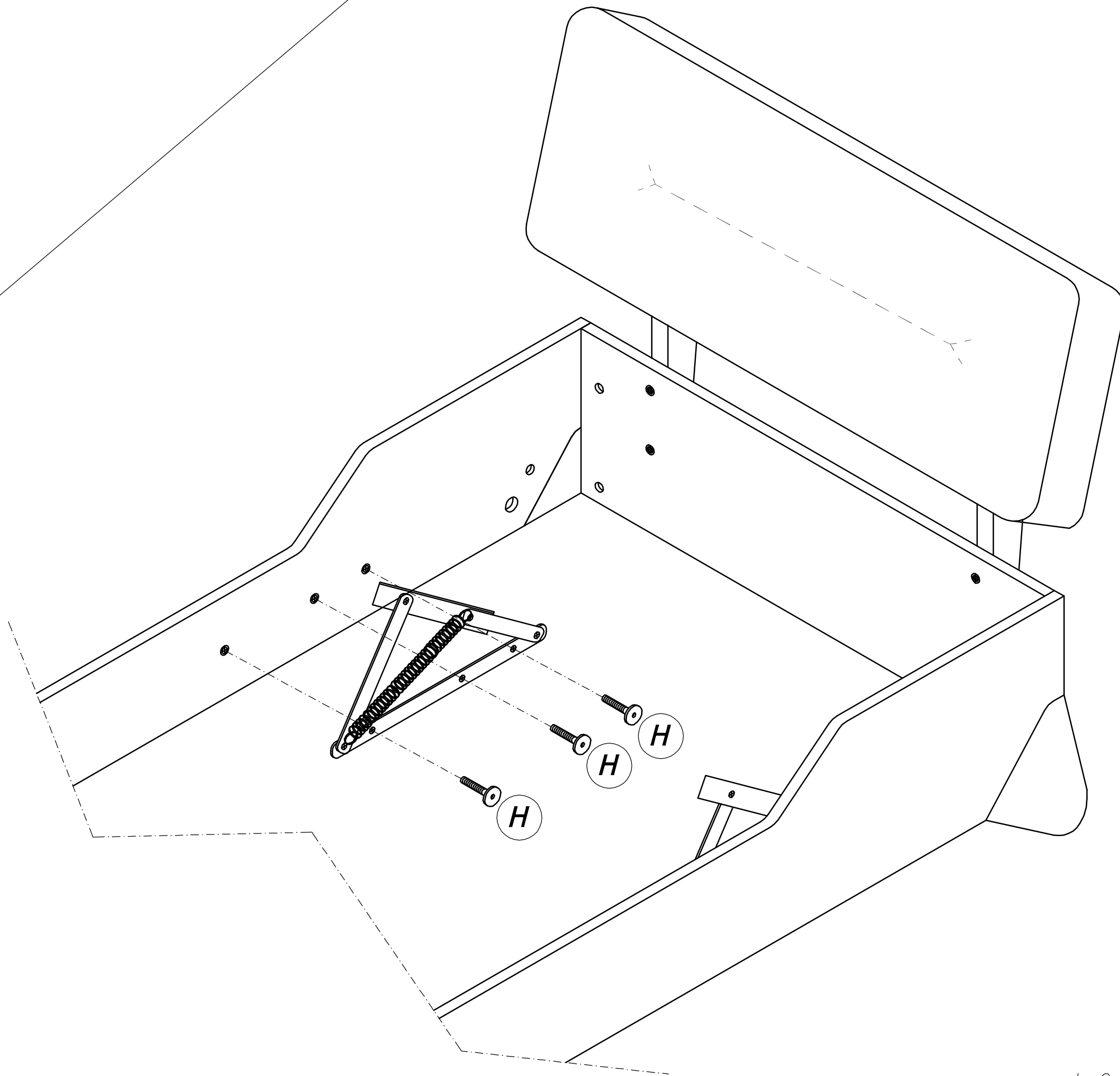
 $R \times 1$

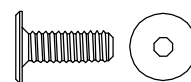


14



15



 **H** x 6
M6 x 12

