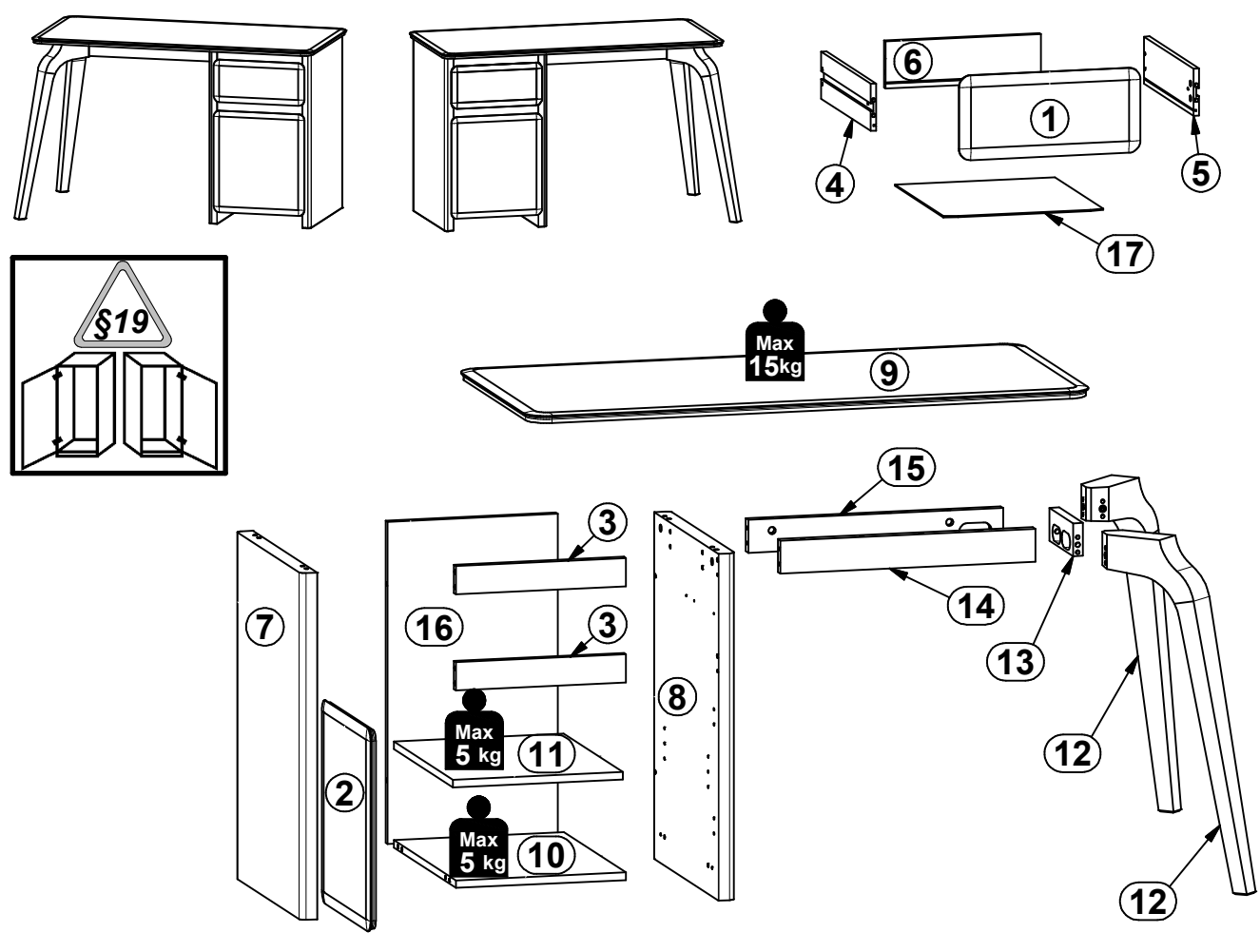
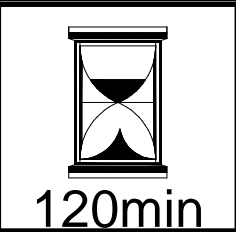
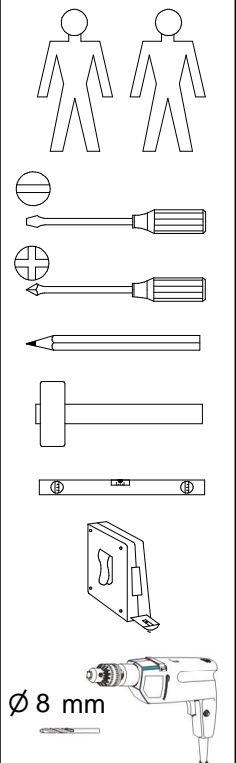
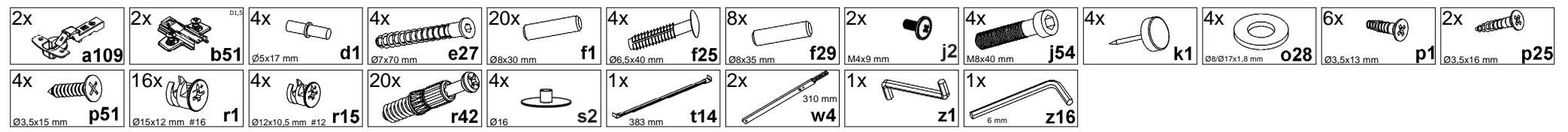
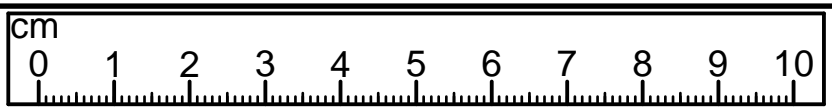


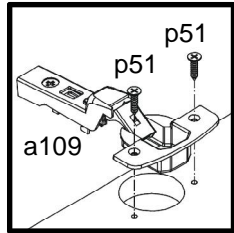
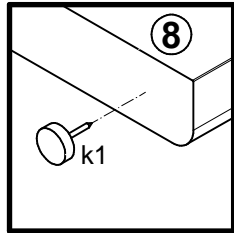
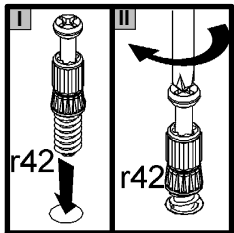
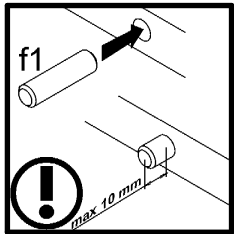
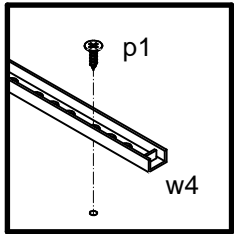
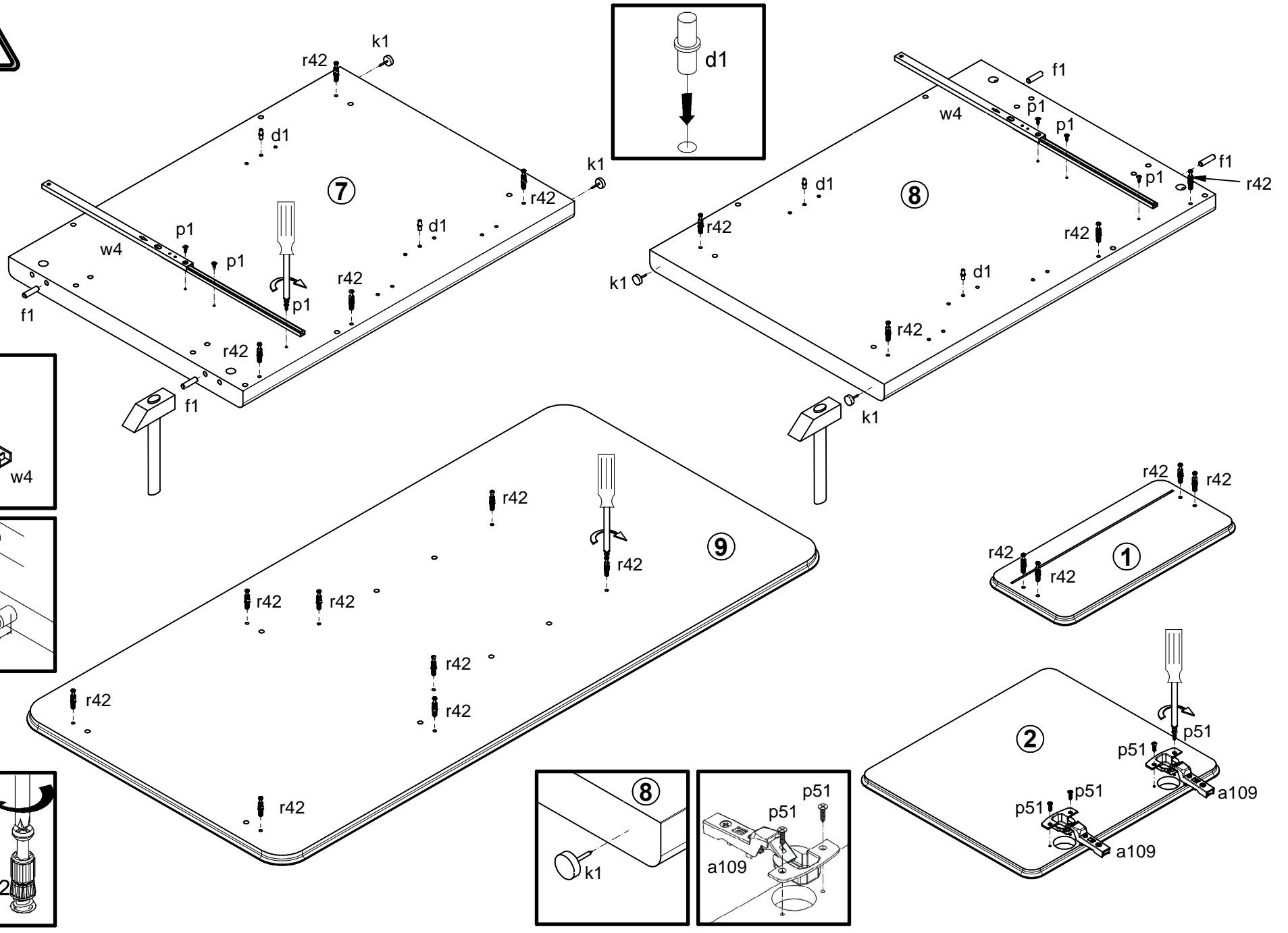
# A S221-BIU1D1S/8/12 LP

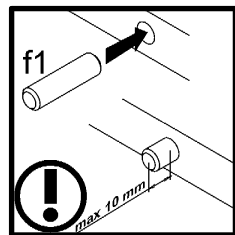
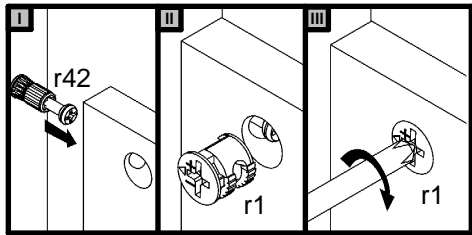
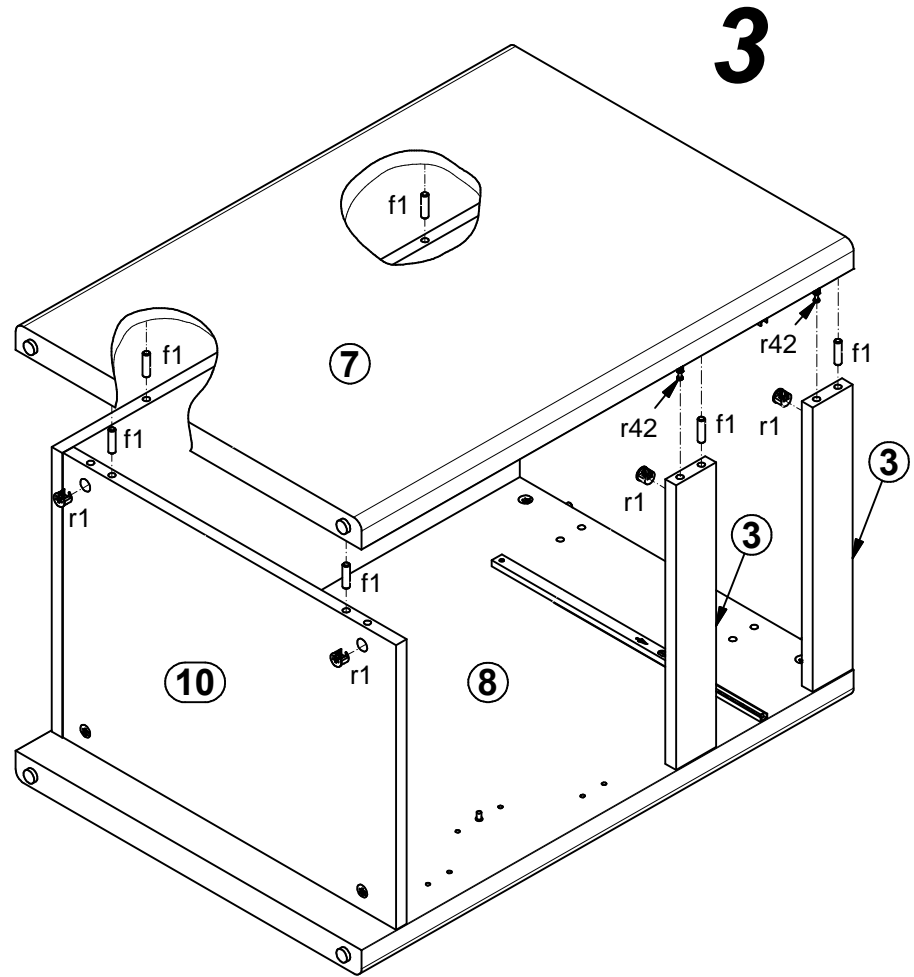
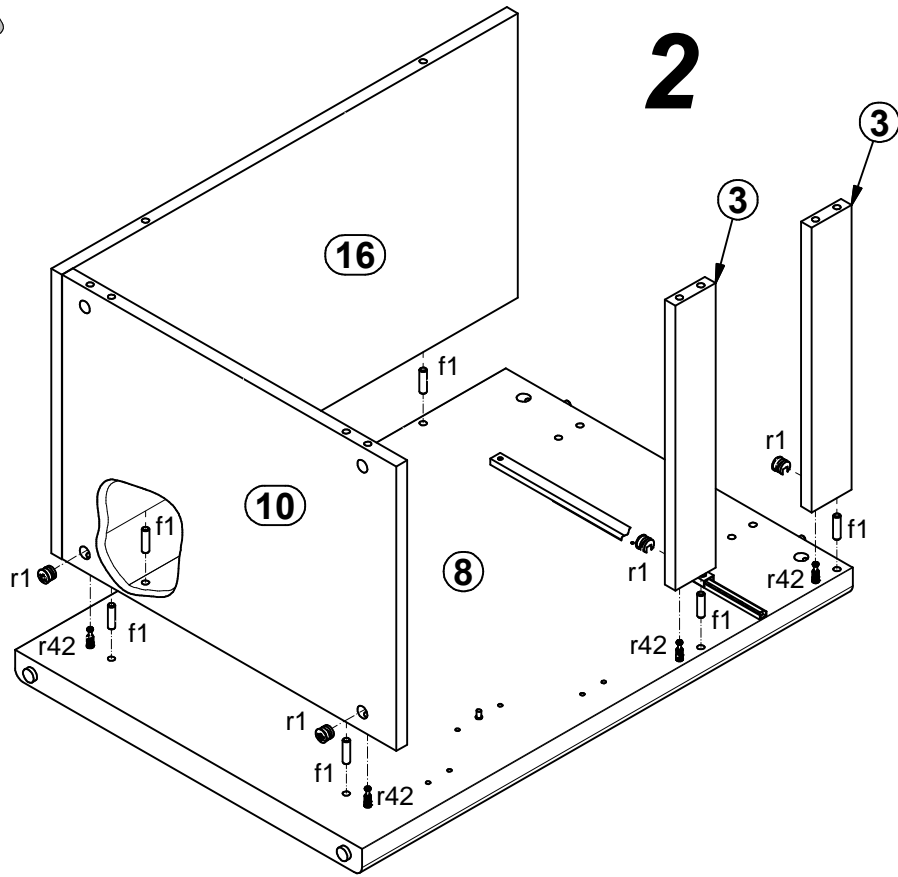


A	B	C (mm)		D
1	B06-008	180	392	1/1
2	B06-009	431	392	1/1
3	B06-402	368	60	1/2
4	B06-504	400	100	1/2
5	B06-505	400	100	1/2
6	B06-512	336	100	1/2
7	S221-161	735	520	1/2
8	S221-162	735	520	1/2
9	S221-205	1220	595	1/1
10	S221-365	368	501	1/2
11	S221-366	367	476	1/2
12	S221-421	793	66	2/2
13	S221-425	191	70	2/2
14	S221-434	551	70	2/2
15	S221-435	551	70	2/2
16	S221-457	683	368	1/2
17	WSP-932	346	398	1/2

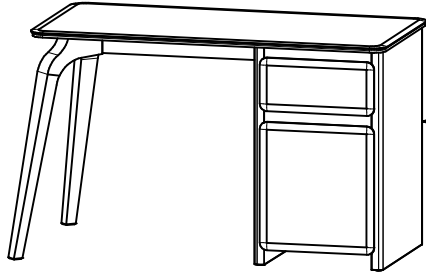


1 

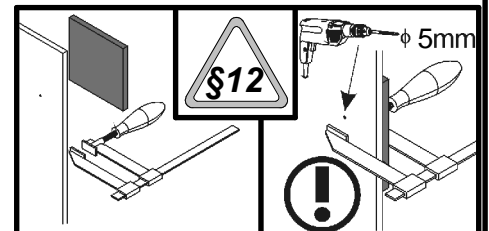
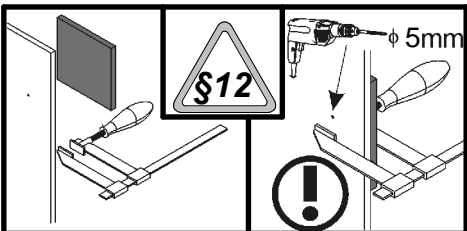
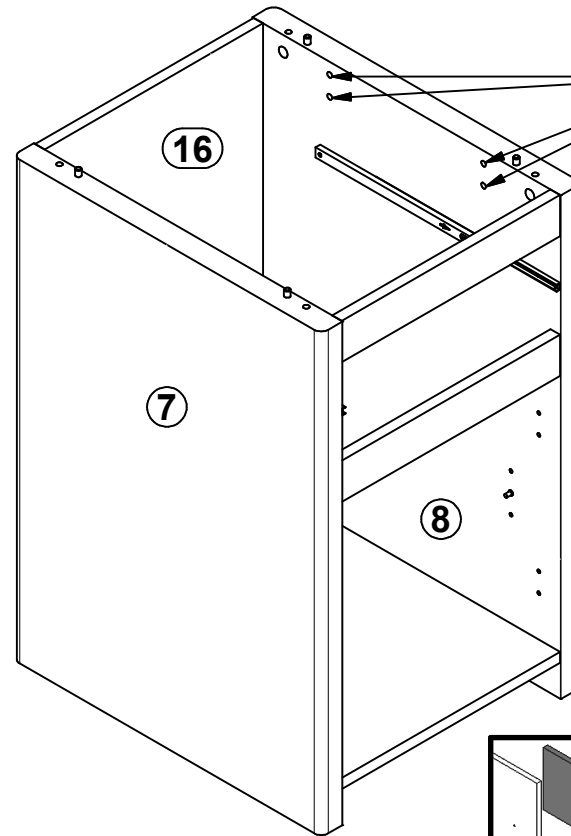
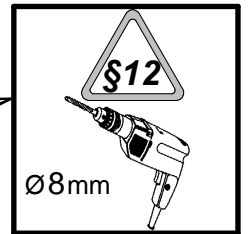
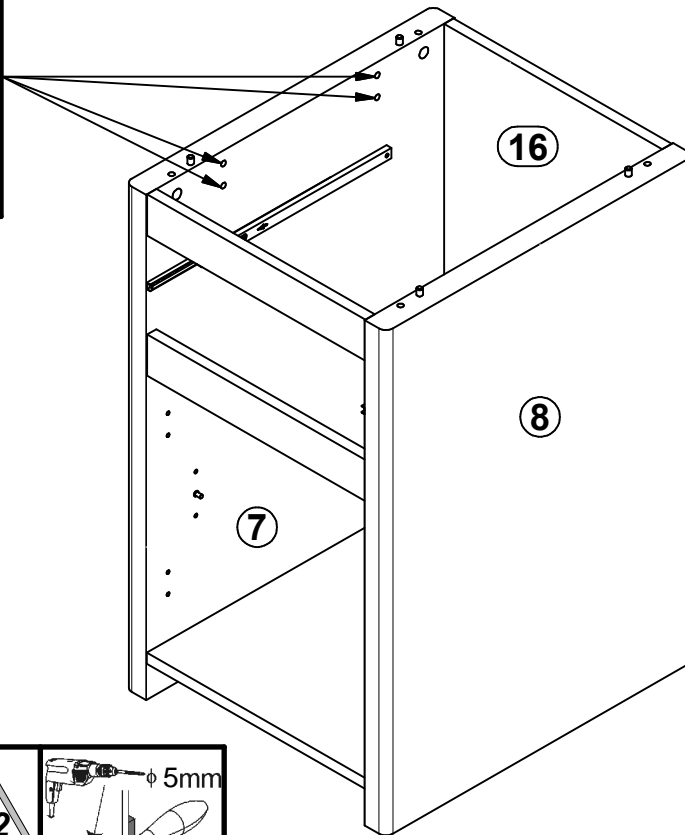
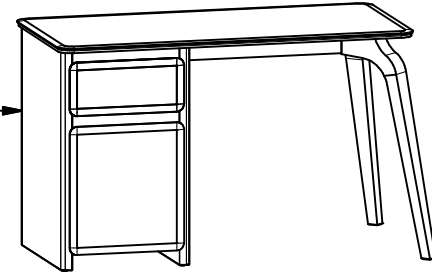




4



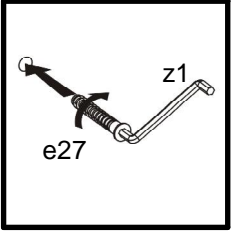
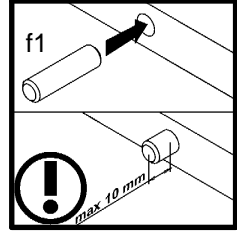
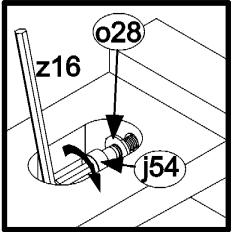
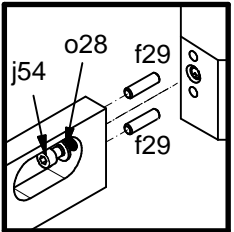
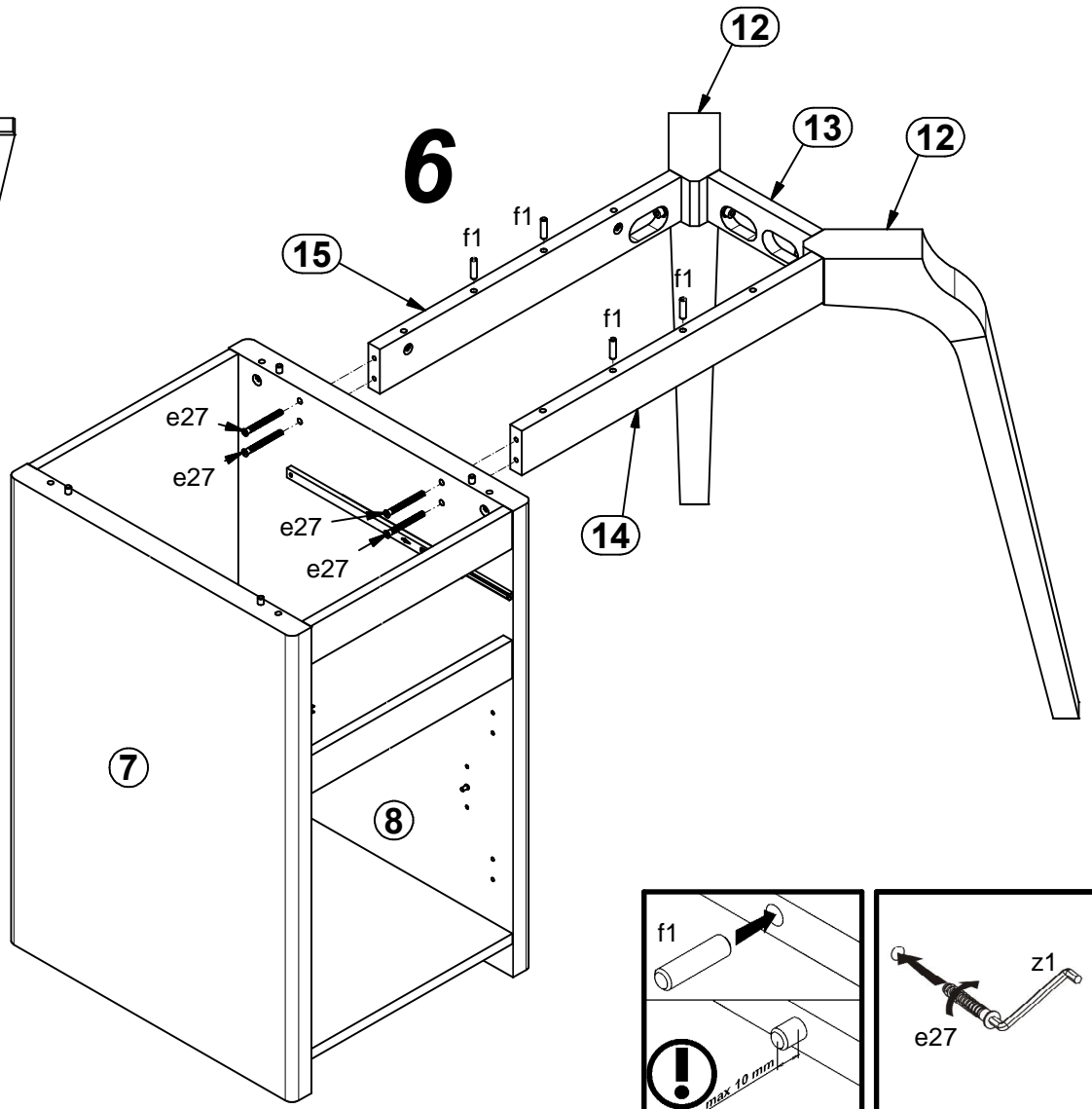
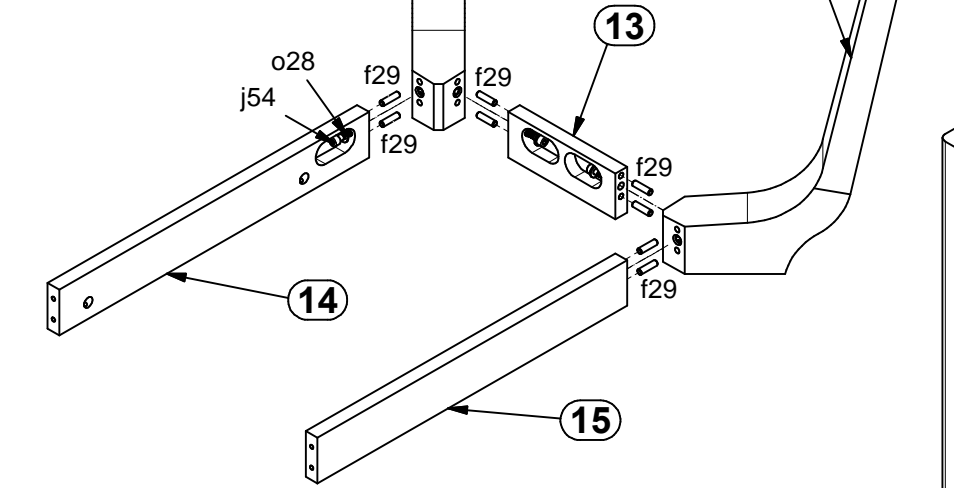
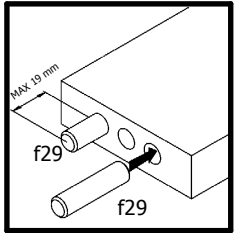
4



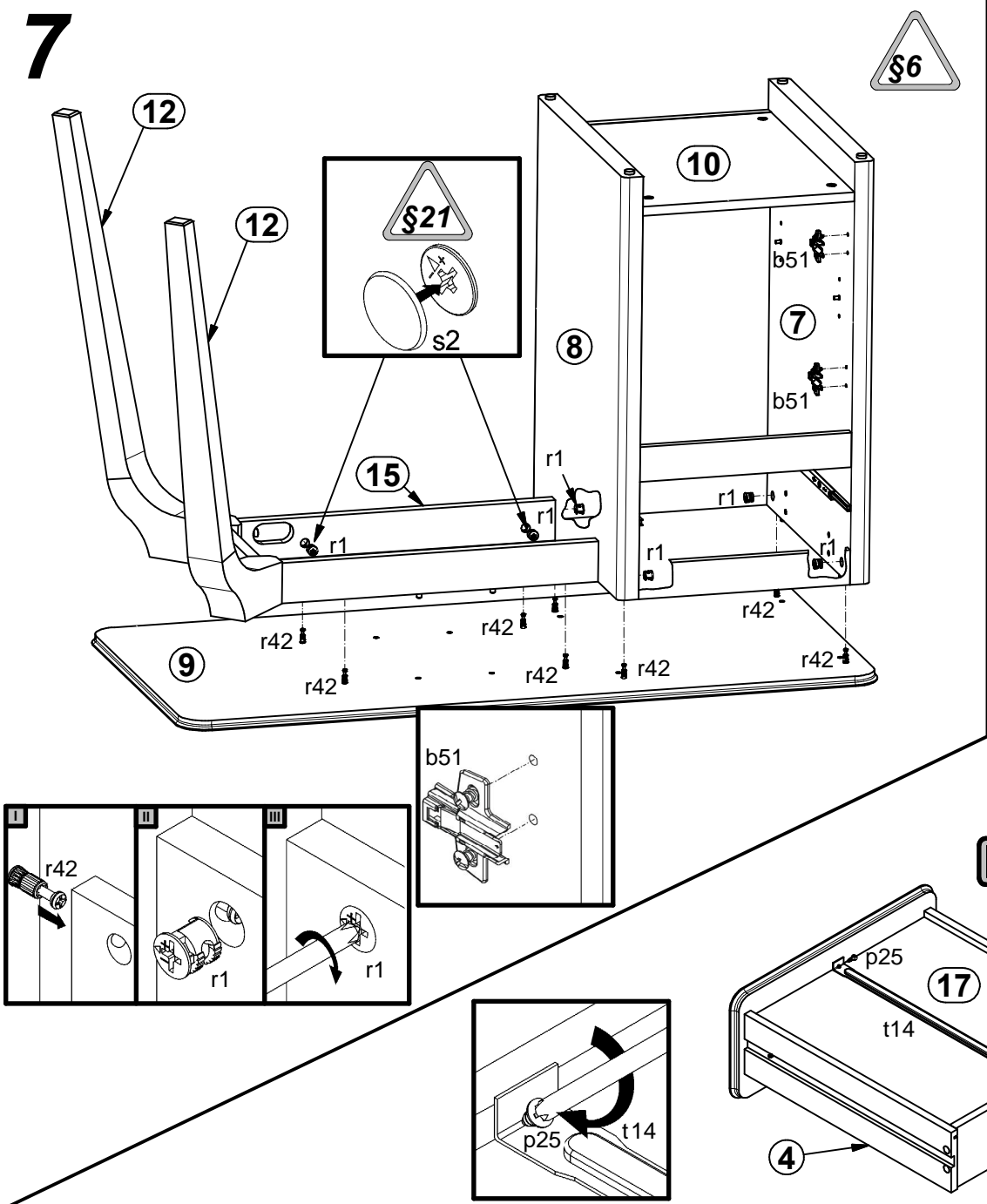


5

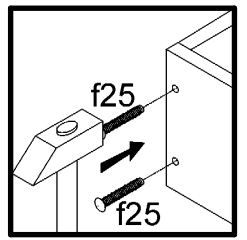
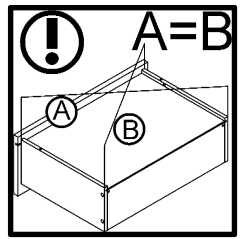
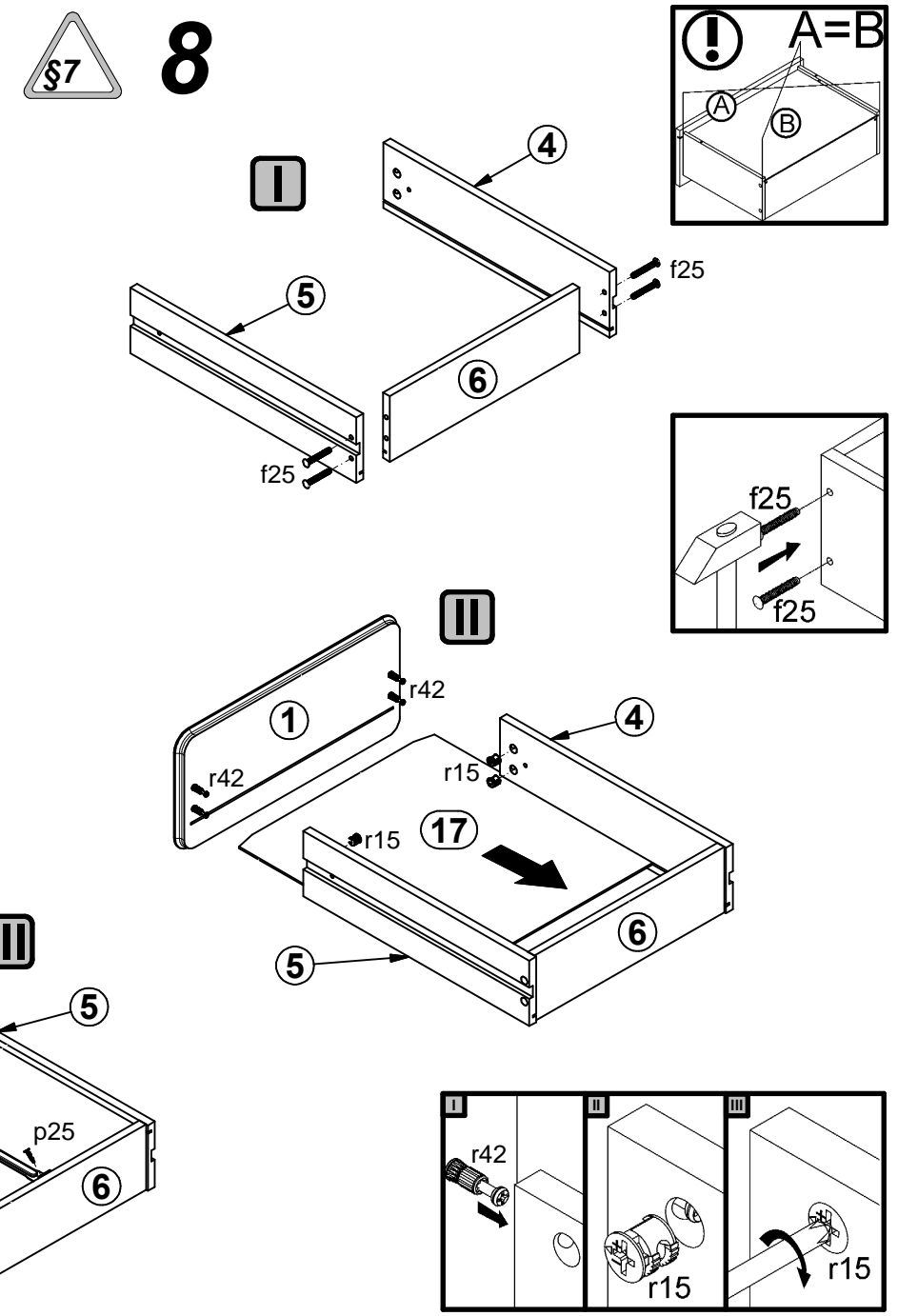
6



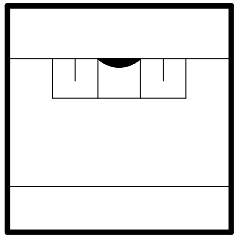
**7**



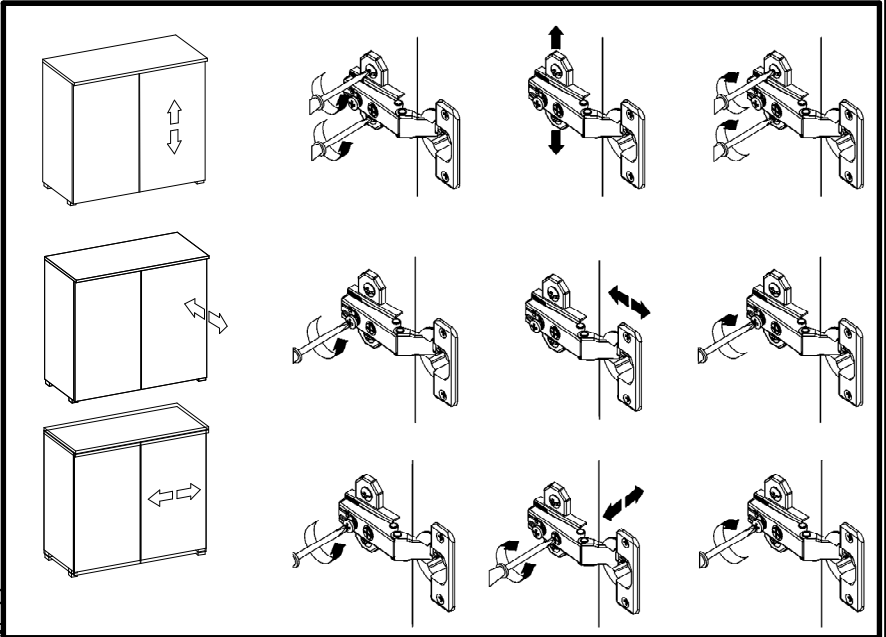
**8**



9

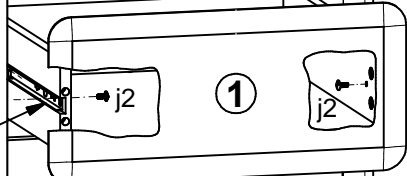


9



7

w4



11

a109

d1

a109

10

