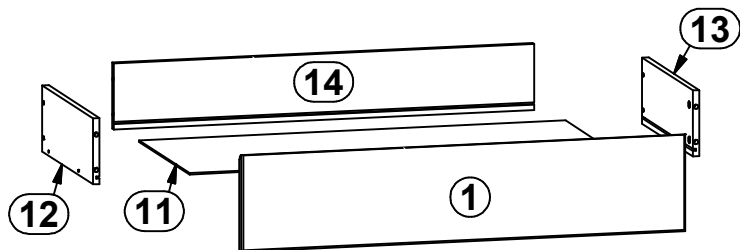
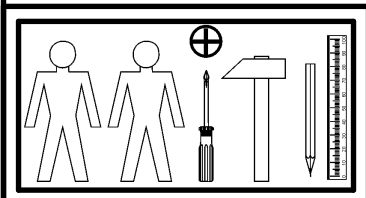
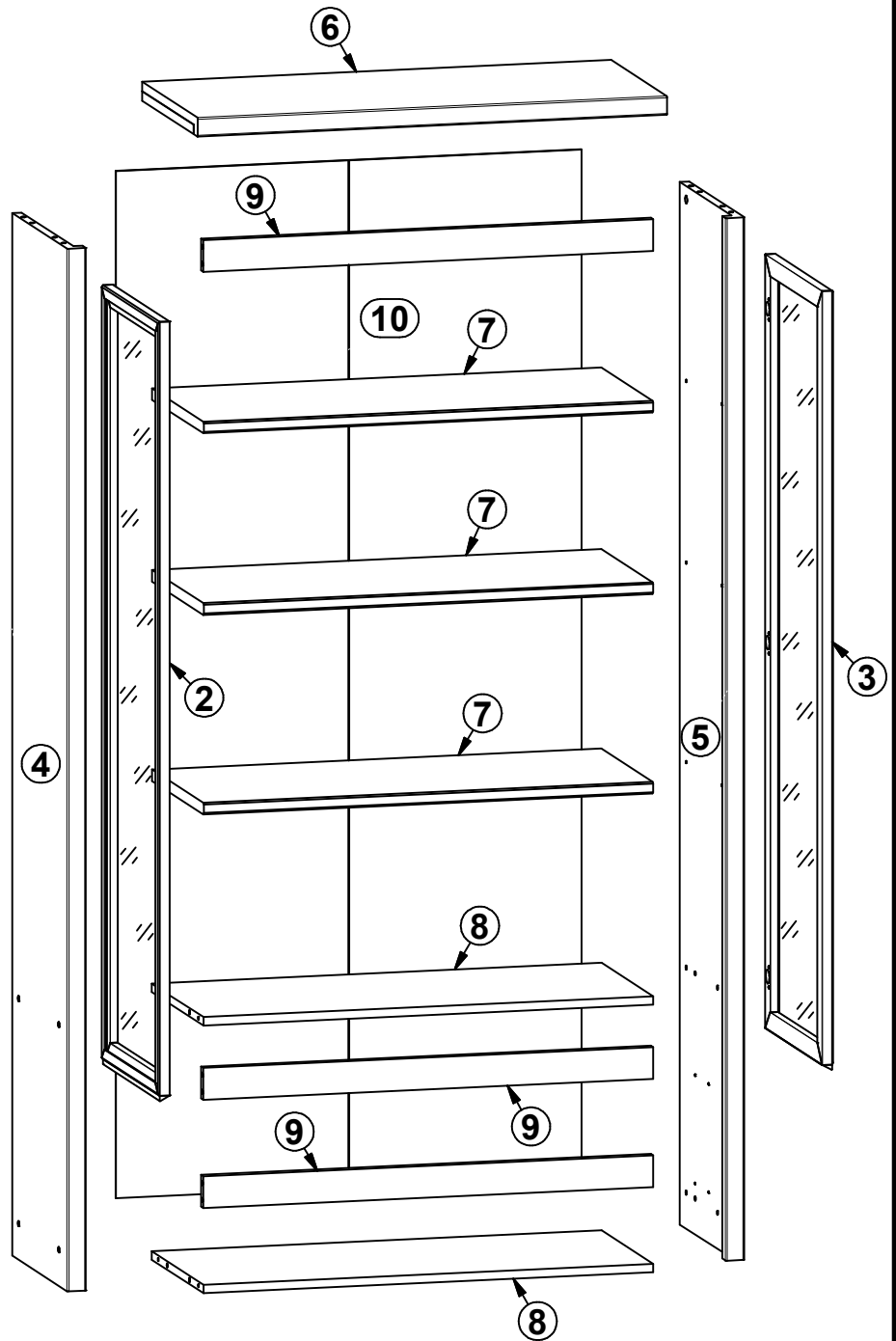
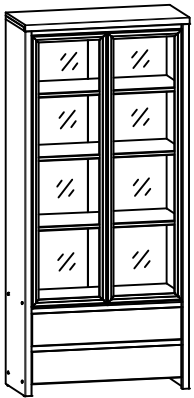


# KASPIAN

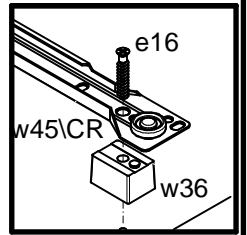
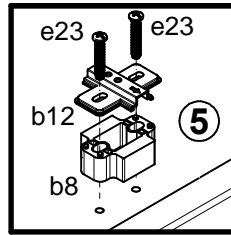
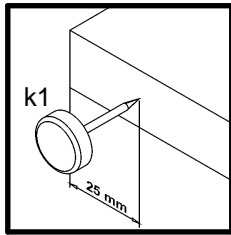
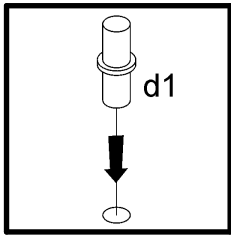
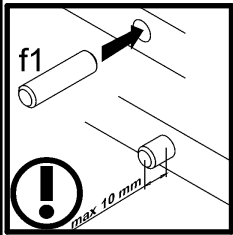
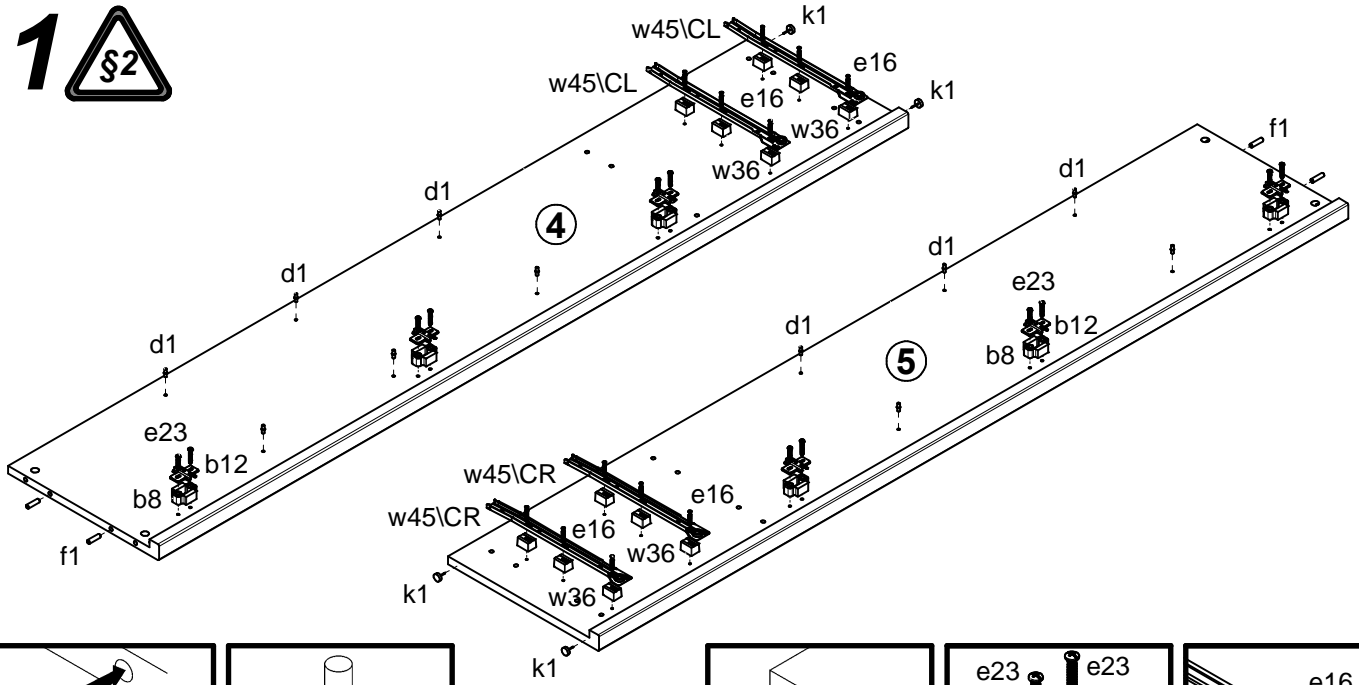
# S128-REG2W2S

A	B	C	D	
1	S128-002	822	176	3/4
2	S128-023	1468	408	4/4
3	S128-024	1468	408	4/4
4	S128-105	1964	396	1/4
5	S128-106	1964	396	1/4
6	S128-209	900	399	2/4
7	S128-316	862	370	2/4
8	S128-326	863	370	2/4
9	S128-401	863	60	2/4
10	S128-902	1935	893	1/4
11	S128-926	789	348	1/4
12	ZS2-511	350	120	2/4
13	ZS2-512	350	120	2/4
14	ZS2-5513	778	120	2/4

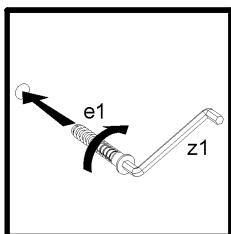
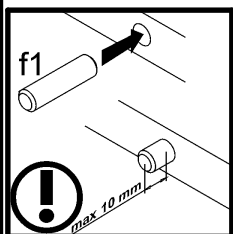
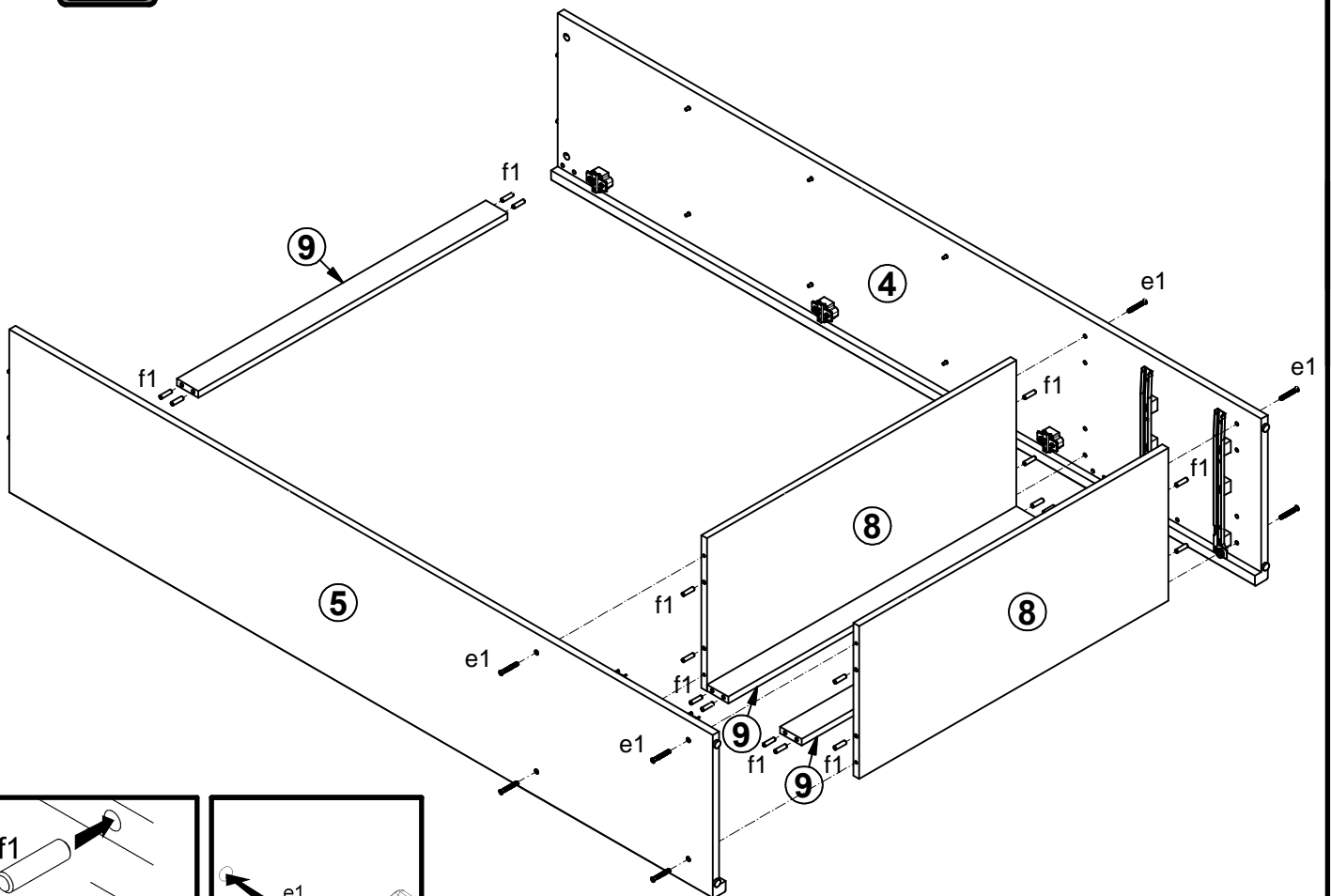


6x  a1	6x  b12	6x  b8	12x  d1 φ5x17 mm	8x  e1 φ7x50 mm	12x  e16 φ6x30 mm	8x  e19 φ5x9 mm	12x  e23 φ6,3x30 mm	24x  f1 φ8x30 mm
8x  f25 φ6,5x40 mm	4x  k1	65x  l1	4x  p25 φ3,5x16 mm	4x  r1 φ1,5x12mm #16	8x  r15 φ12x10,5mm #12	12x  r42	8x  s1	2x  s2 ø16
2x  t19 333 mm	12x  w36 h=18 mm	2x  w45\CL 350 mm	2x  w45\CR 350 mm	2x  w45\DL 350 mm	2x  w45\DR 350 mm	1x  z1	1x  n26\1	1x  p38 φ3,5x16 mm

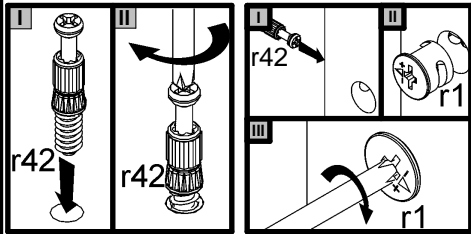
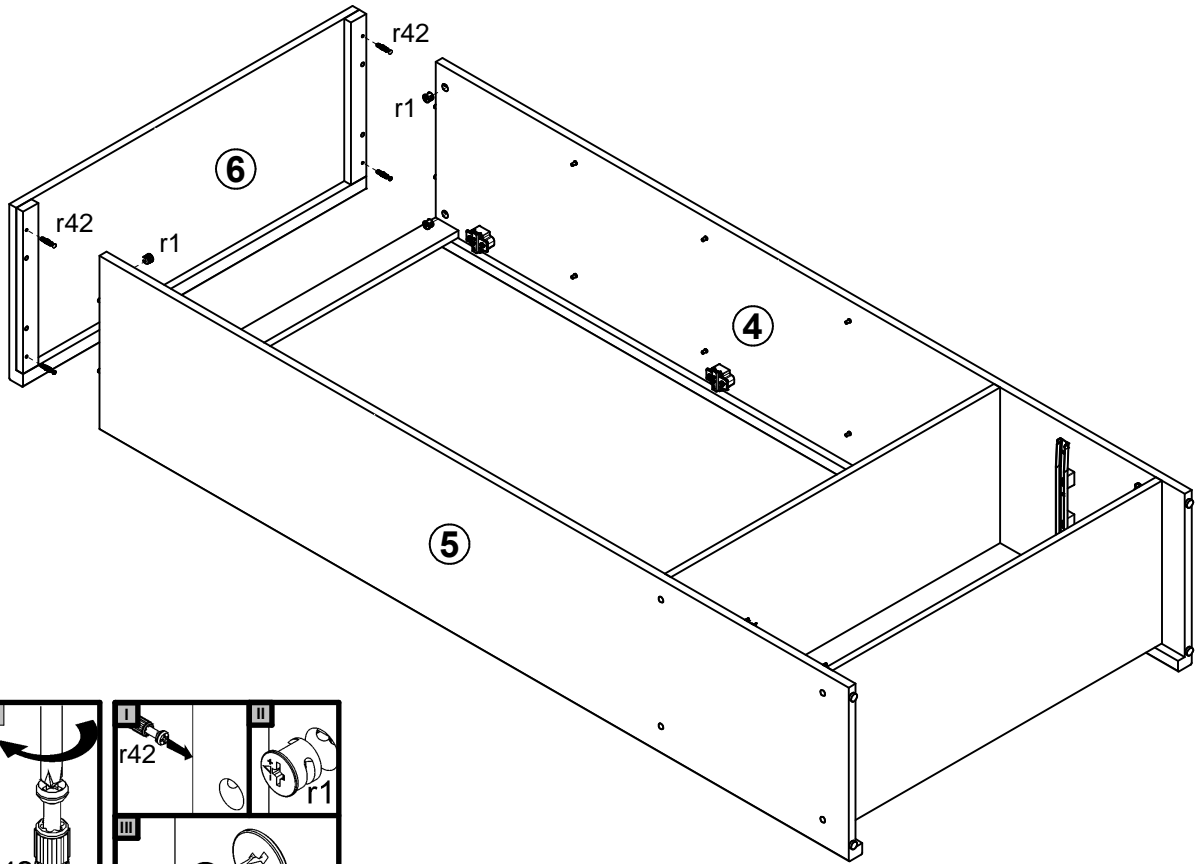
# 1



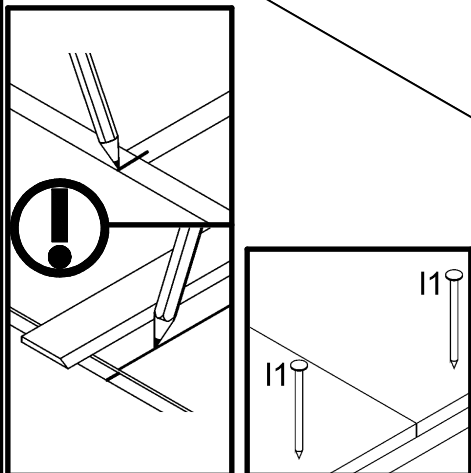
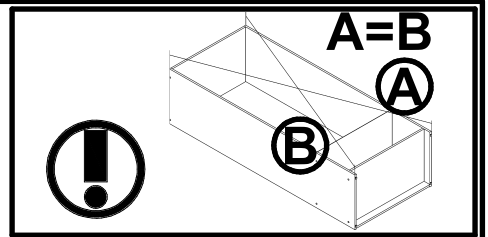
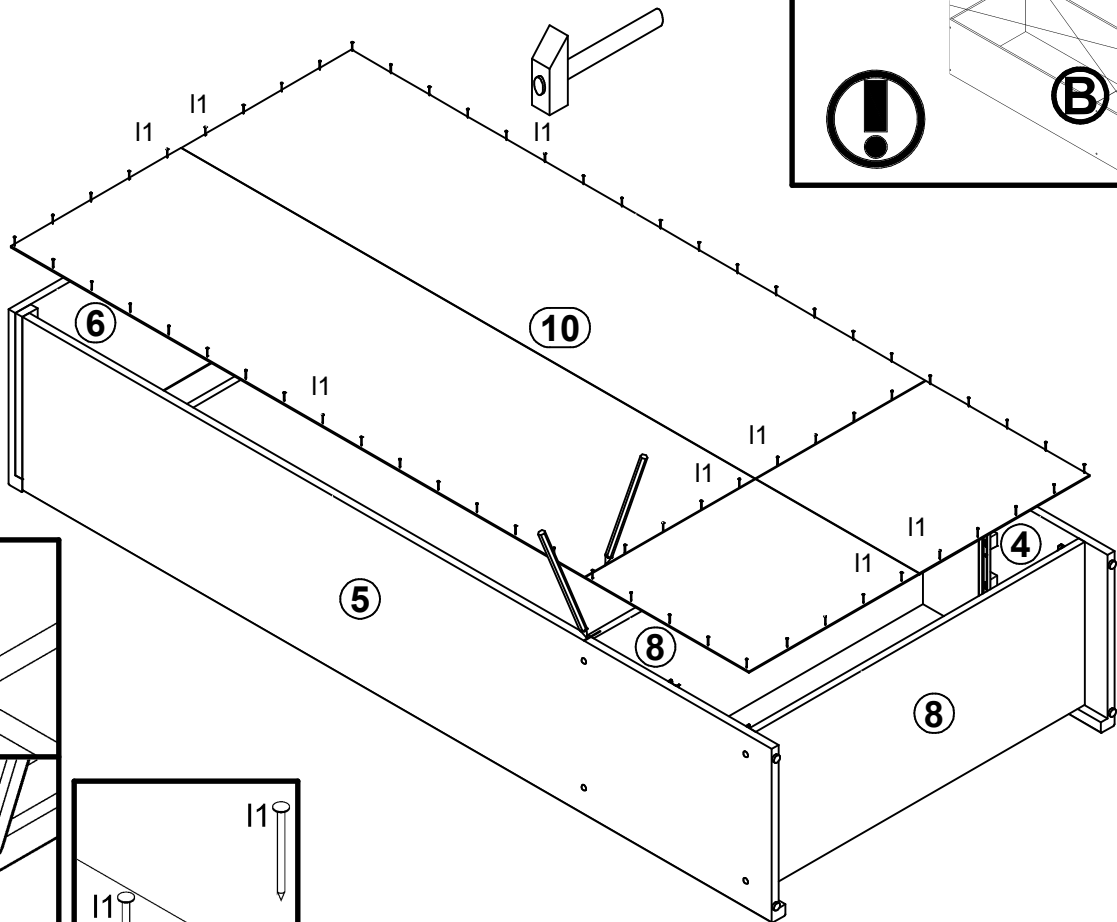
# 2



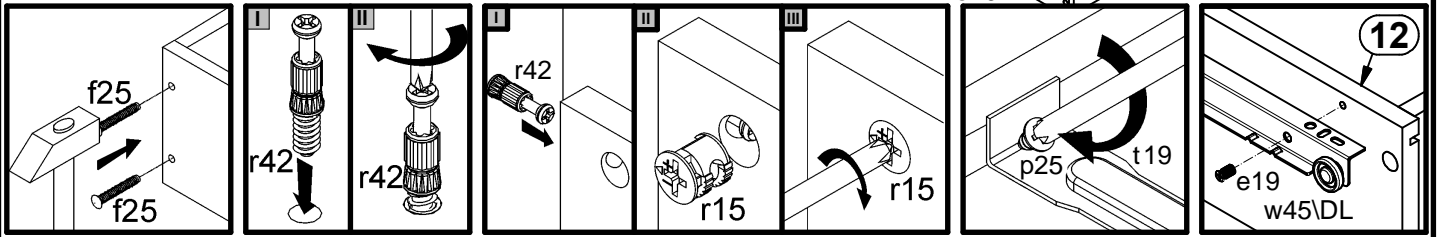
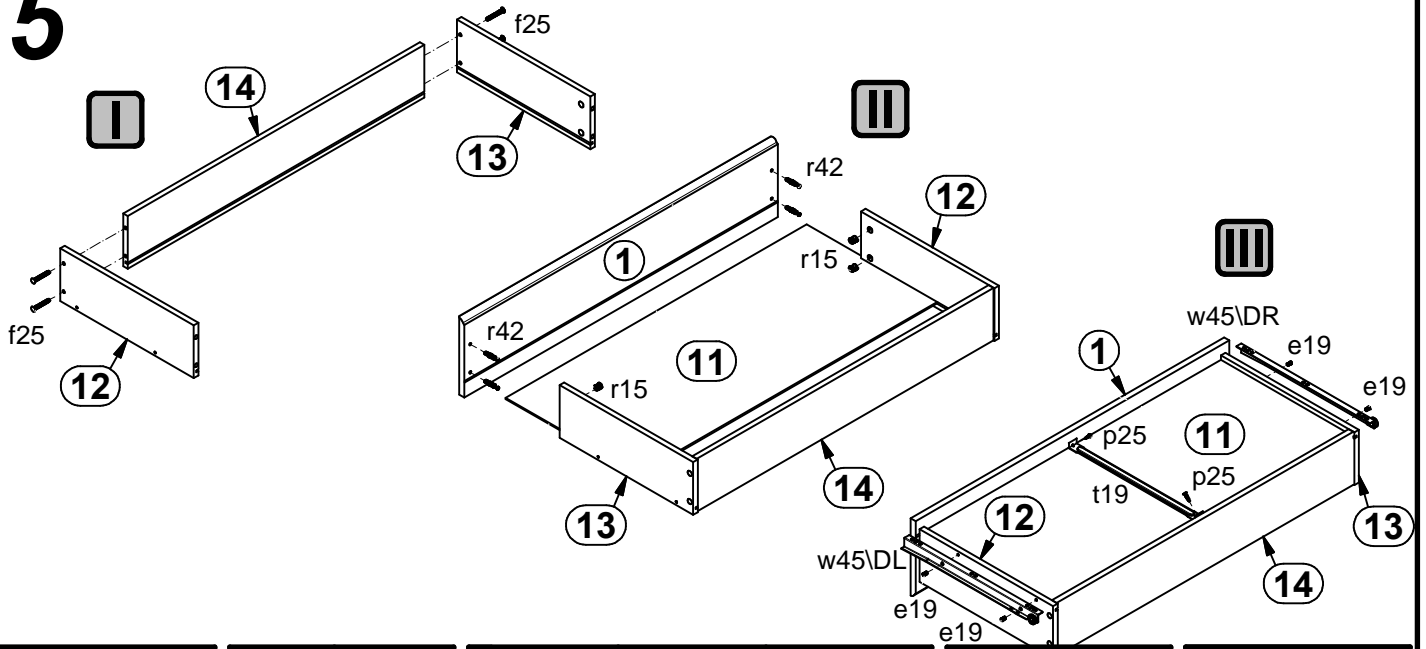
# 3



# 4



# 5



# 6

