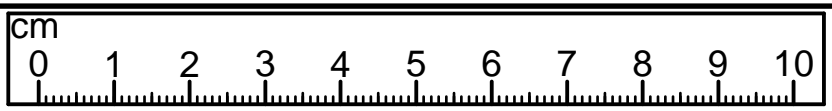
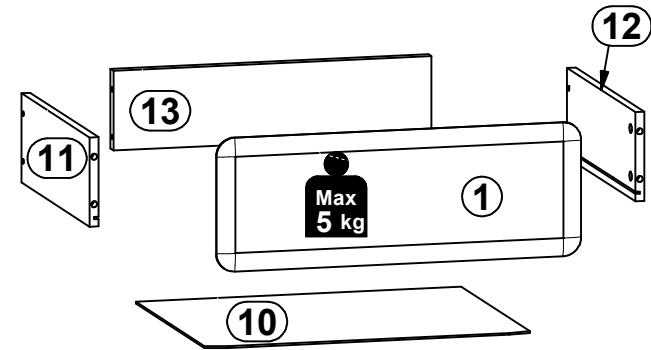
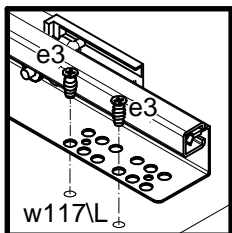
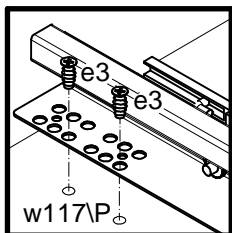
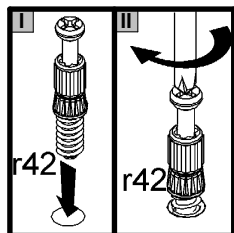
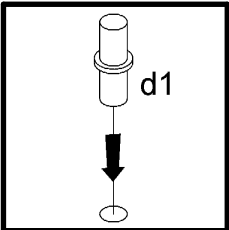
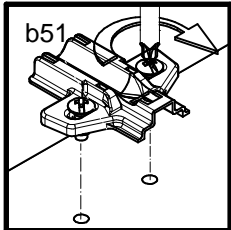
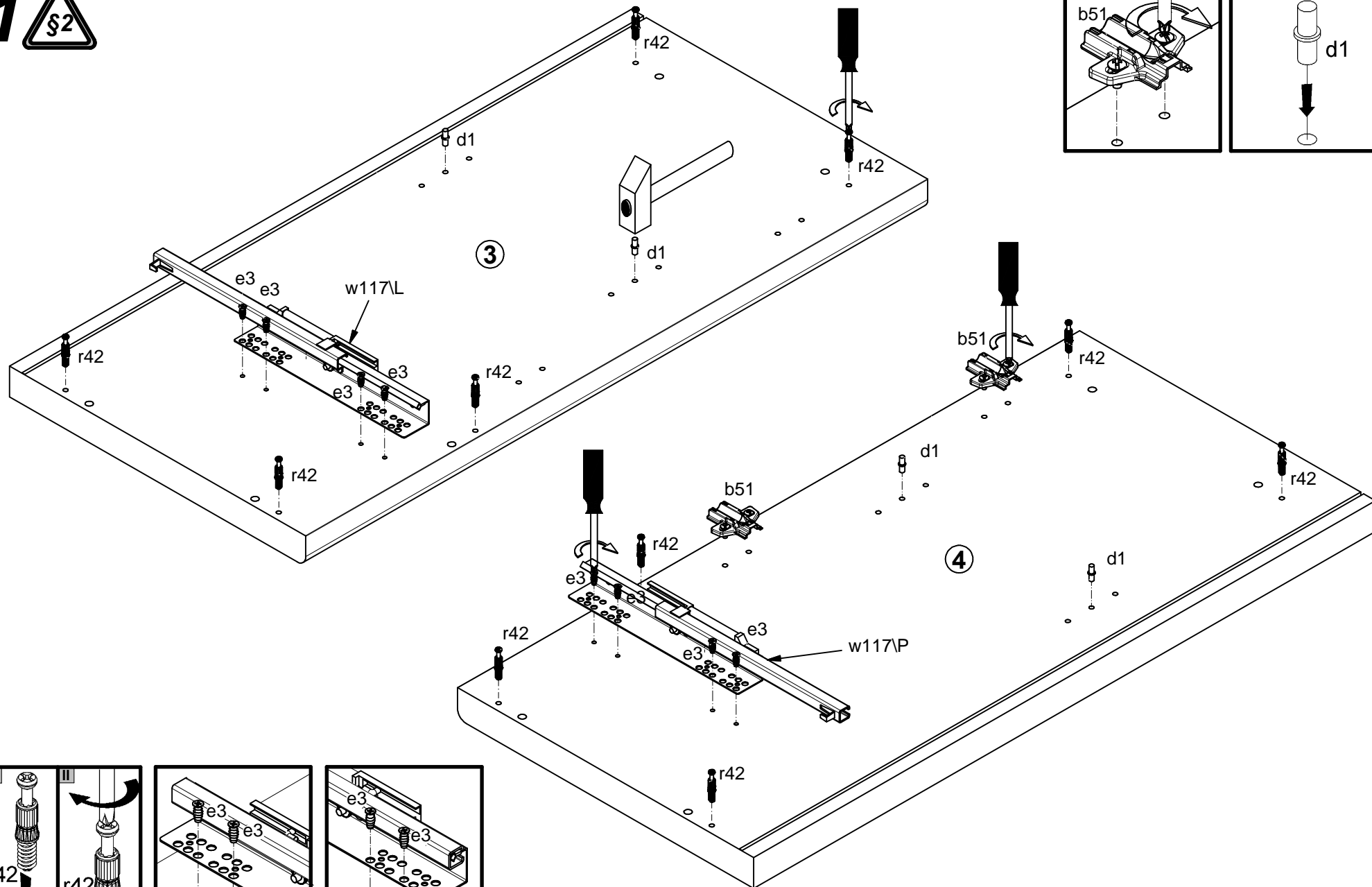


§1

A	B	C (mm)		D
1	S221-006	180	500	1/1
2	S221-020	550	500	1/1
3	S221-158	840	400	1/1
4	S221-159	840	400	1/1
5	S221-305	476	399	1/1
6	S221-306	476	379	1/1
7	S221-334	475	361,5	1/1
8	S221-406	476	60	1/1
9	S221-9913	773	486	1/1
10	WSP-921	446	358	1/1
11	WSQ3-505	350	120	1/1
12	WSQ3-506	350	120	1/1
13	WTQ-5027	436	107	1/1



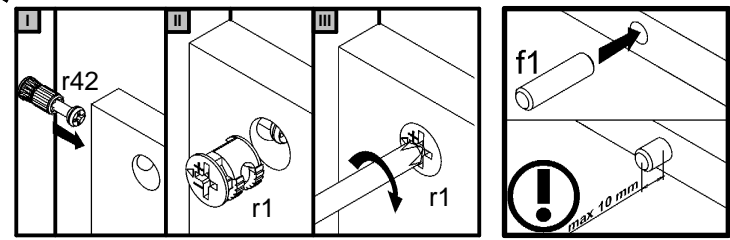
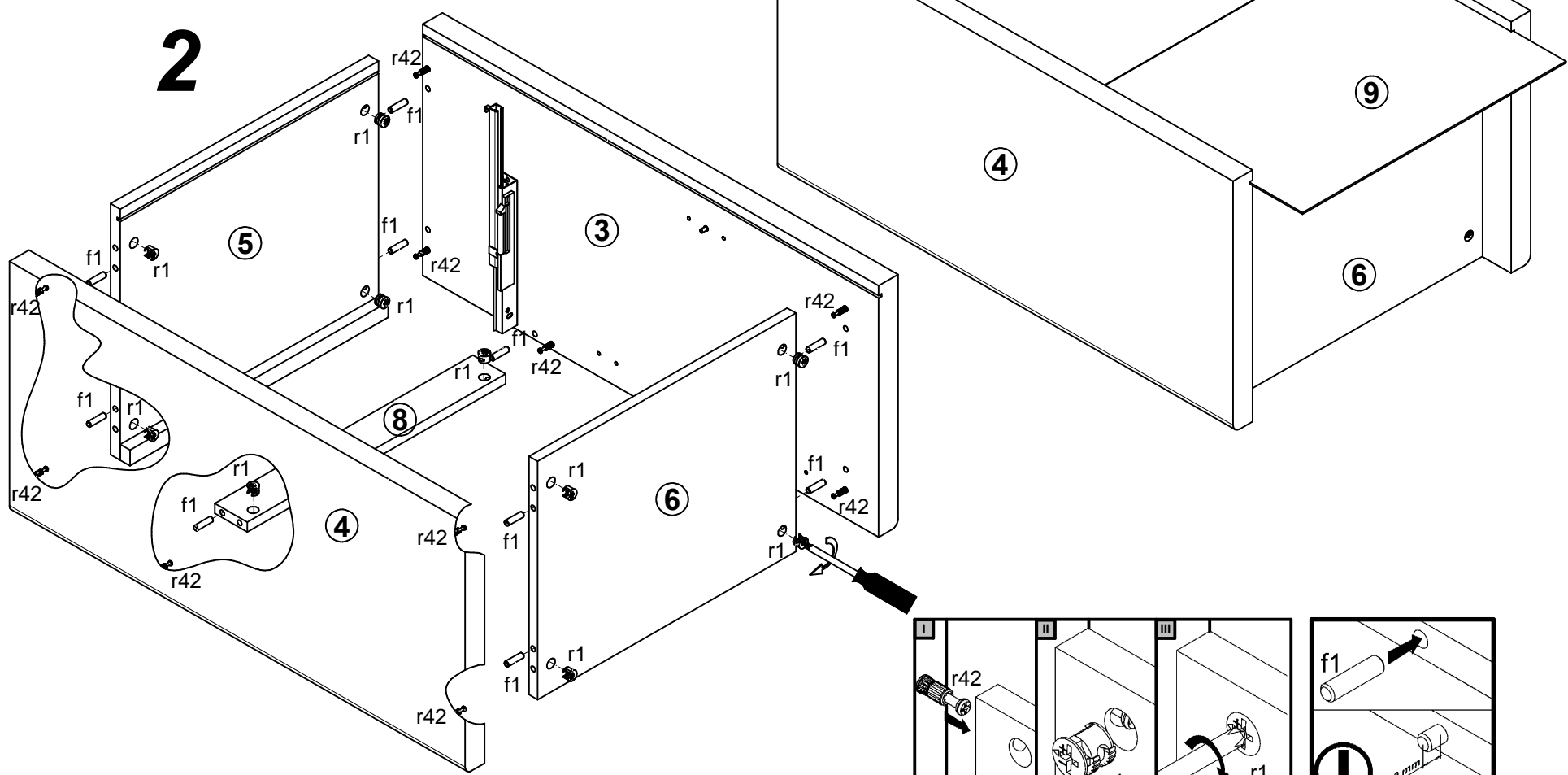
2x a109	2x b51	4x Ø5x17 mm d1	8x Ø6x13 mm e3	10x Ø8x30 mm f1	4x Ø6.5x40 mm f25	4x k1	5x l1	10x l2	1x Ø3.5x16 mm p25	1x Ø3.5x10 mm p35	4x Ø3.5x16 mm p38	4x Ø3.5x15 mm p51
2x Ø2.9x16 mm p55	10x Ø15x12 mm #16 r1	4x Ø12x10.5 mm #12 r15	14x r42	4x Ø12 s34	1x 350 mm t35	1x 350 mm W117/L	1x 350 mm W117/P	1x n26/l1	1x Ø3.5x16 mm p38			

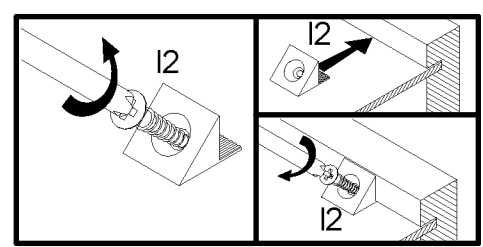




3

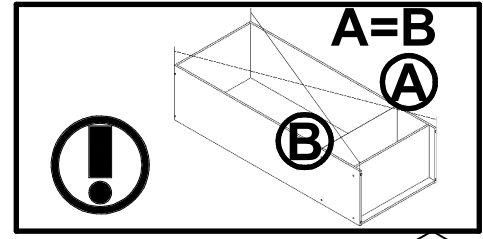
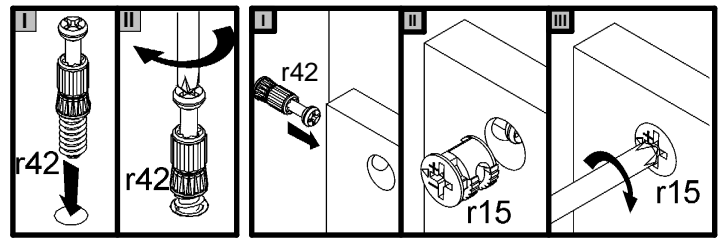
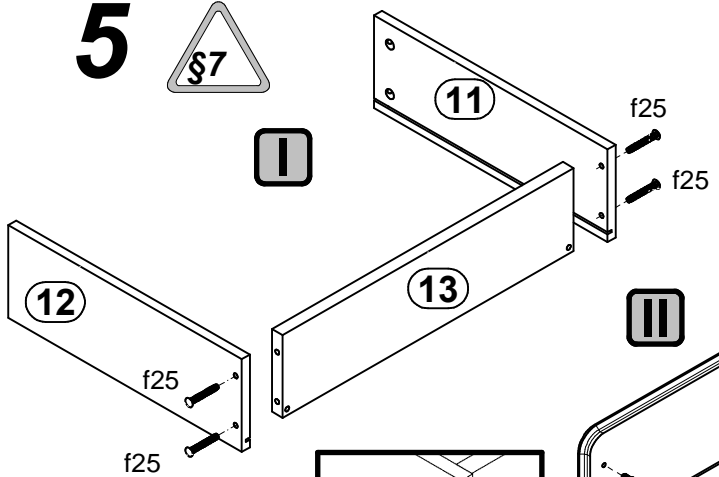
2



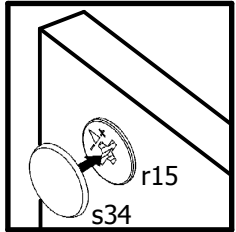
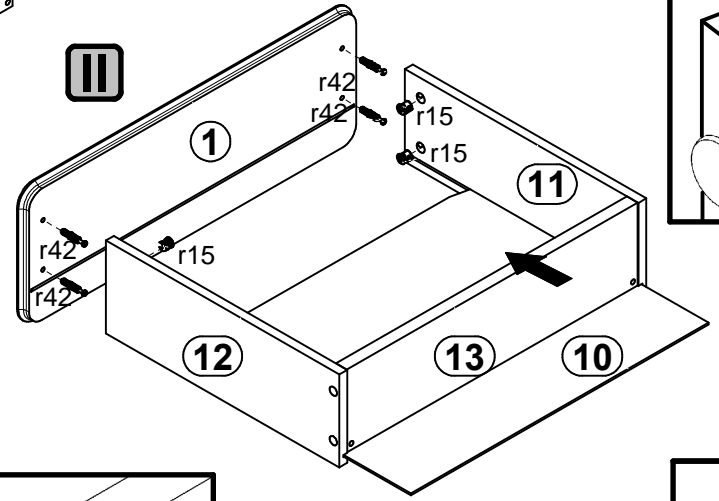


5 

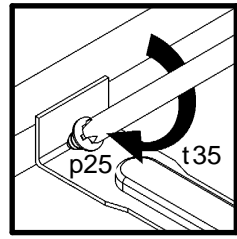
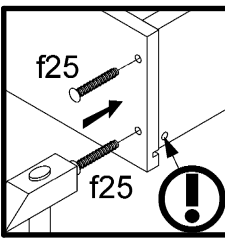
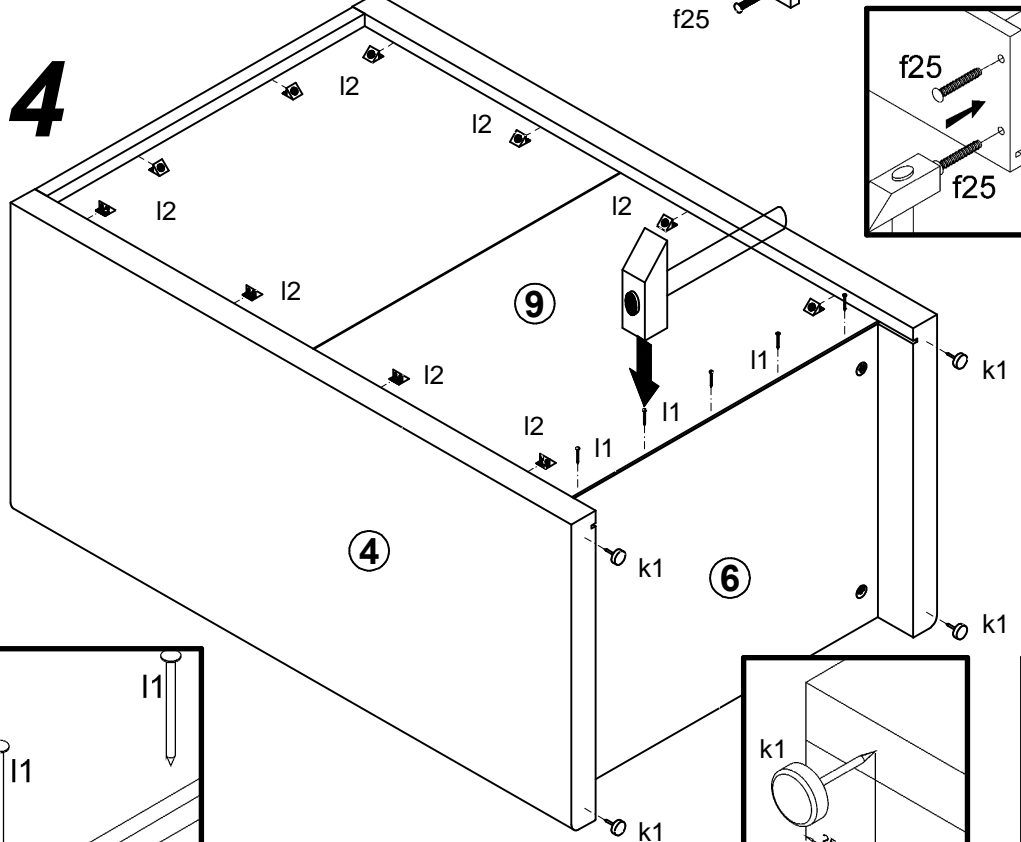
I



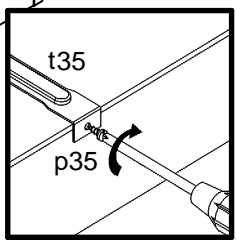
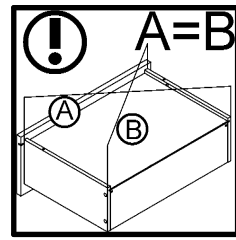
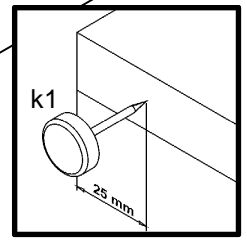
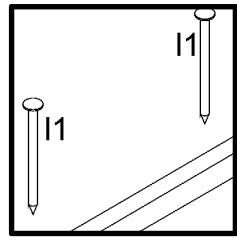
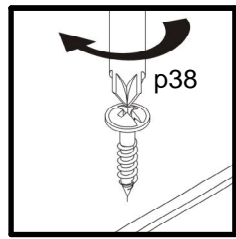
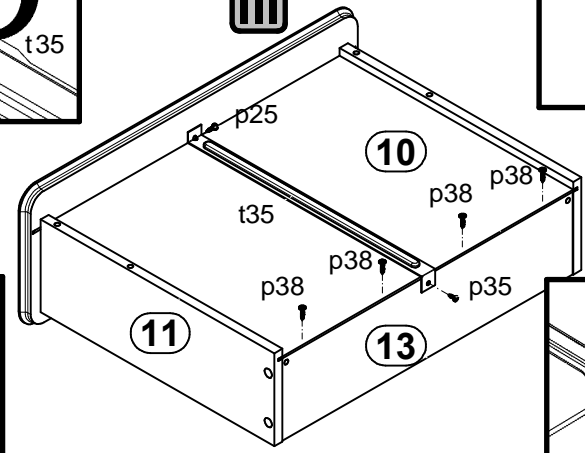
II



4



III



6

