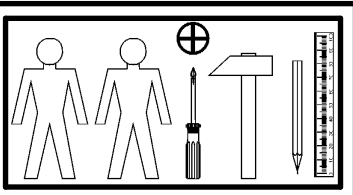
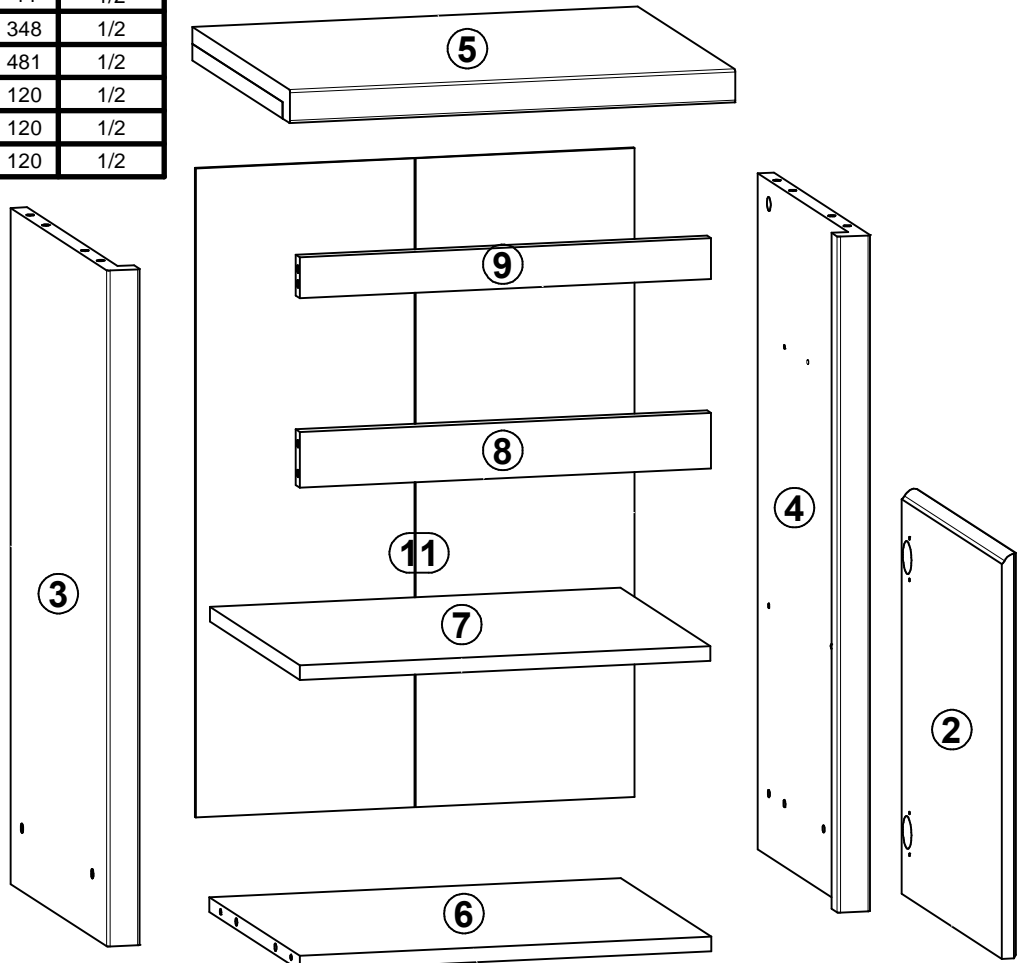
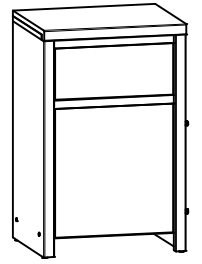


# KASPIAN

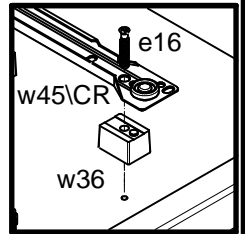
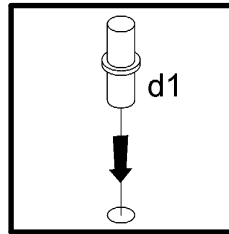
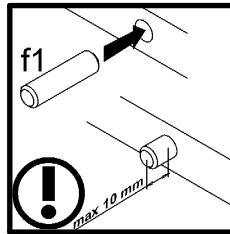
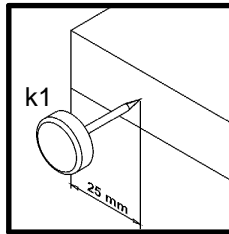
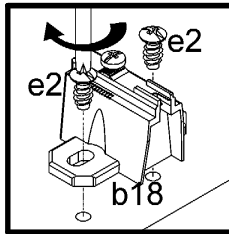
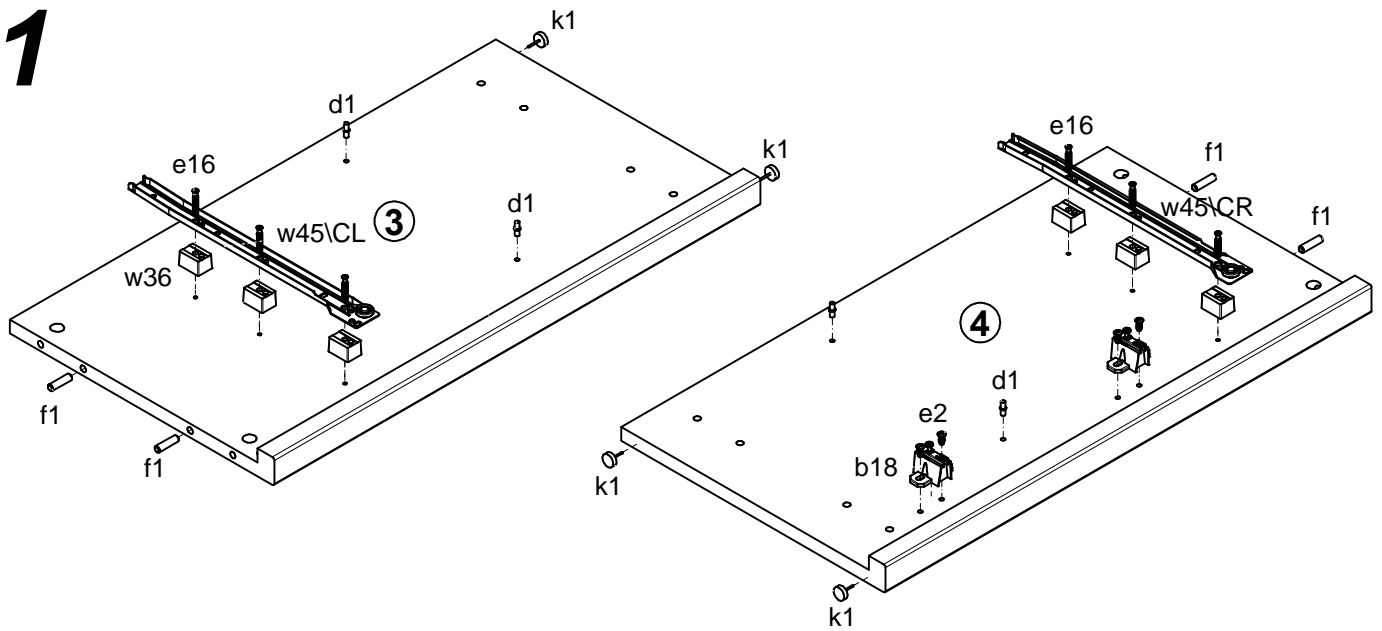
# S128-KOM1D1SP

A	B	C	D	
1	S128-019	410	176	2/2
2	S128-021	410	436	2/2
3	S128-141	728	396	1/2
4	S128-142	728	396	1/2
5	S128-213	488	399	1/2
6	S128-322	451	370	1/2
7	S128-323	450	368	1/2
8	S128-411	451	60	1/2
9	S128-412	451	44	1/2
10	S128-922	377	348	1/2
11	S128-923	699	481	1/2
12	ZS2-511	350	120	1/2
13	ZS2-512	350	120	1/2
14	ZS2-5525	366	120	1/2

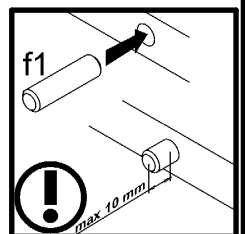
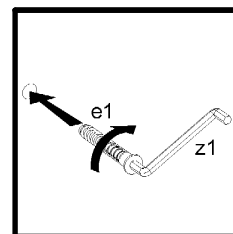
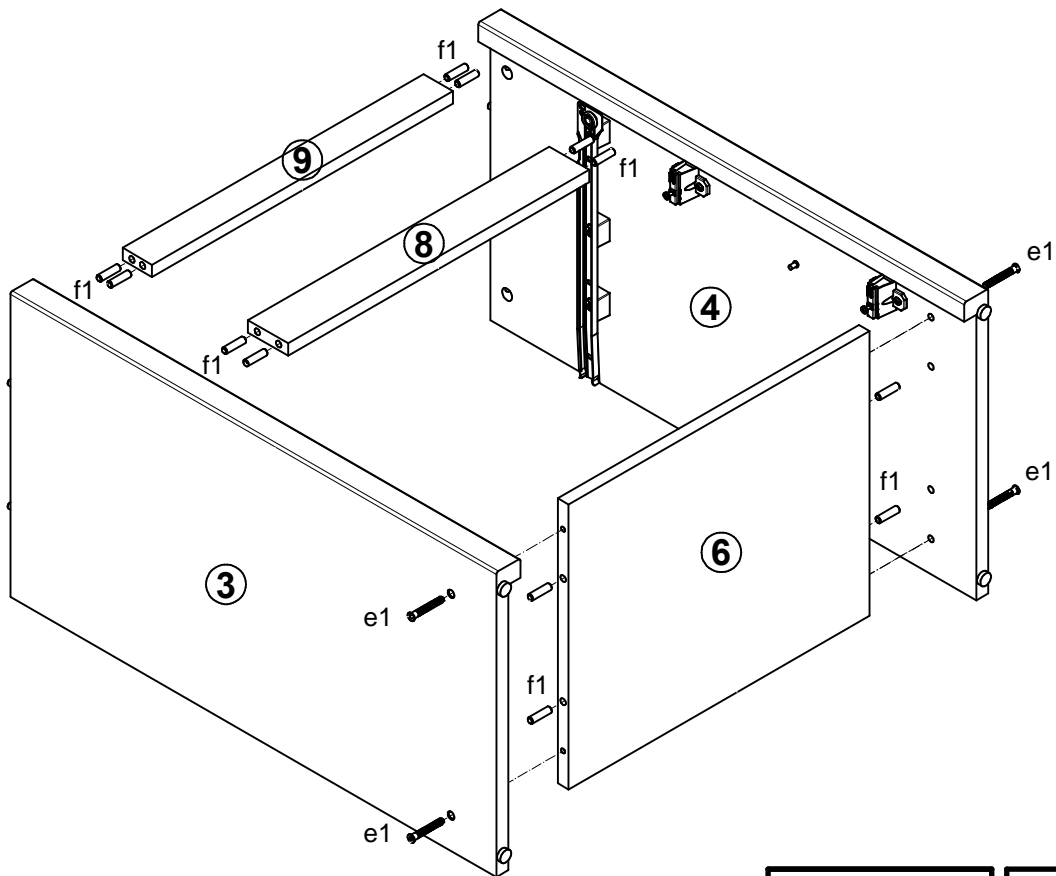


2x  a43	2x  b18	4x  φ5x17 mm d1	4x  φ7x50 mm e1	6x  φ6x30 mm e16	4x  φ5x9 mm e19	4x  φ6,3x13 mm e2	16x  φ8x30 mm f1	4x  φ6,5x40 mm f25
4x  k1	25x  l1	4x  φ3,5x15 mm p51	4x  φ1,5x12mm #16 r1	4x  φ12x10,5mm #12 r15	8x  r42	6x  h=18 mm w36	1x  350 mm w45\CL	1x  350 mm w45\CR
1x  350 mm w45\DL	1x  350 mm w45\DR	1x  z1	4x  s1	2x  φ16 s2	1x  n26\1	1x  φ3,5x16 mm p38		

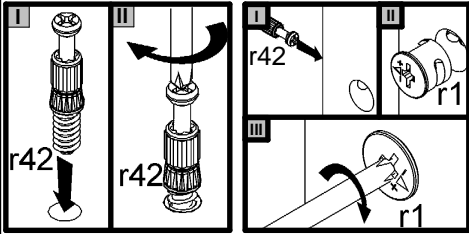
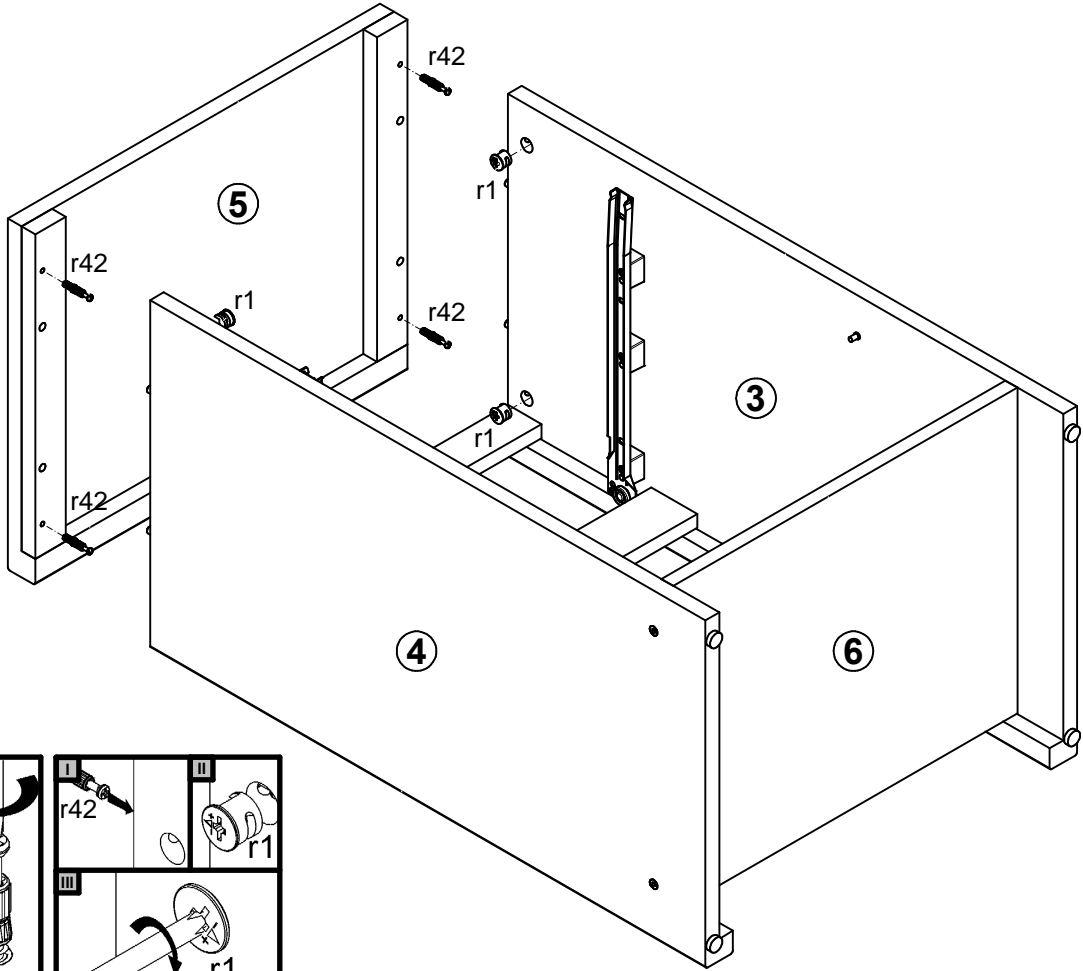
# 1



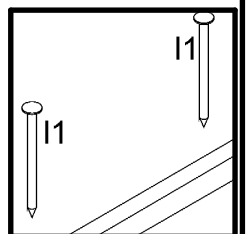
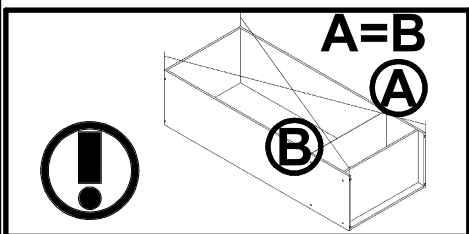
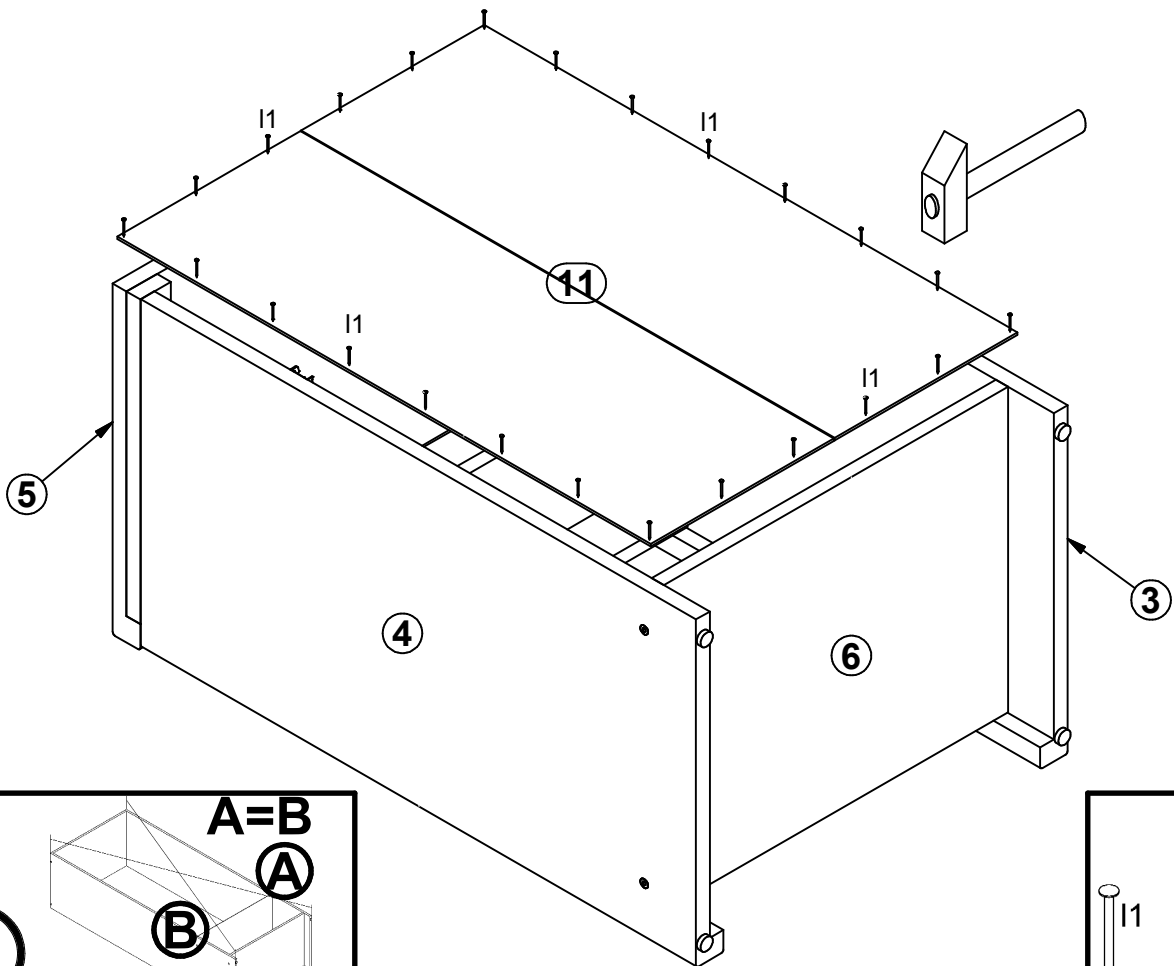
# 2

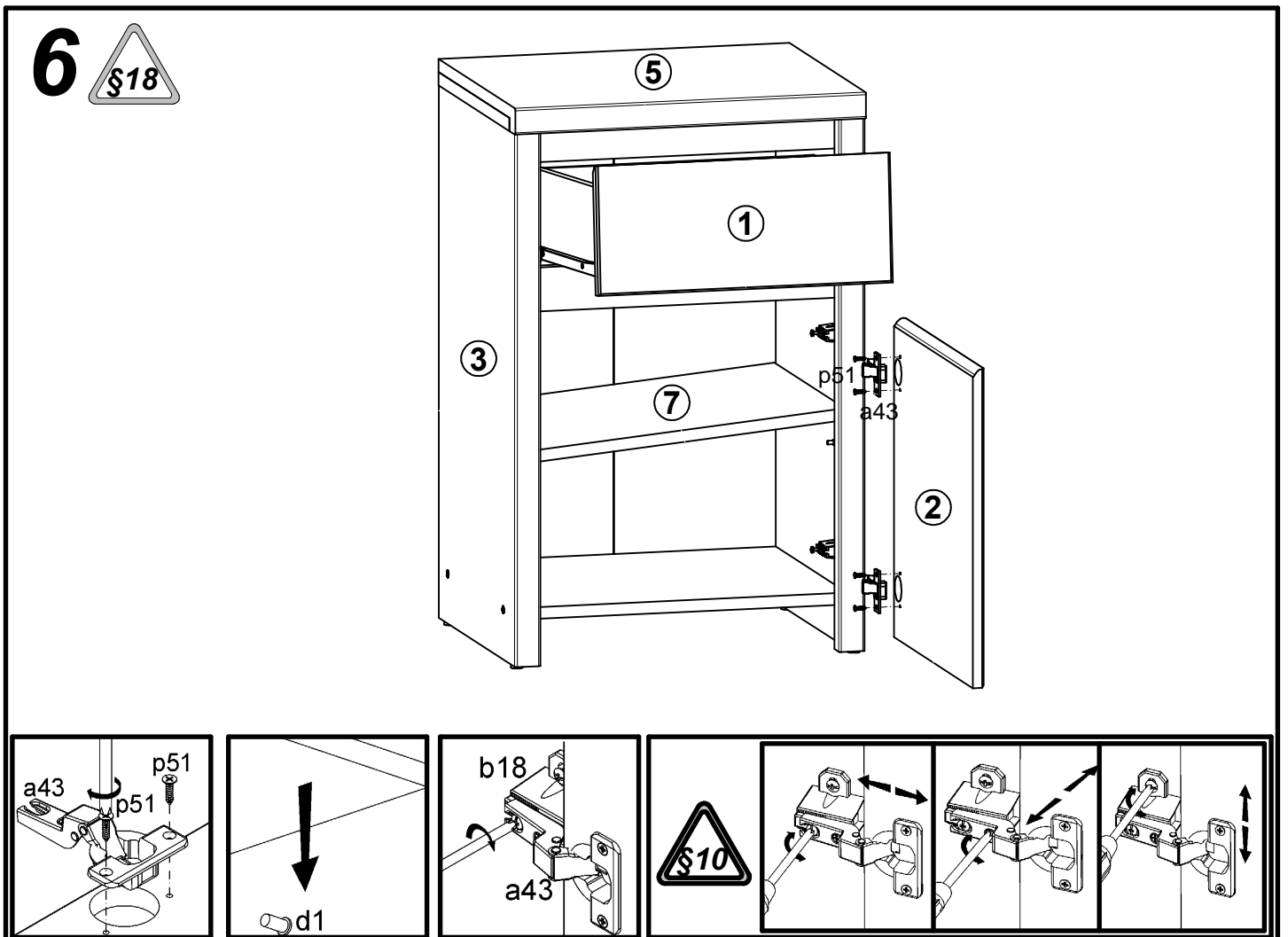
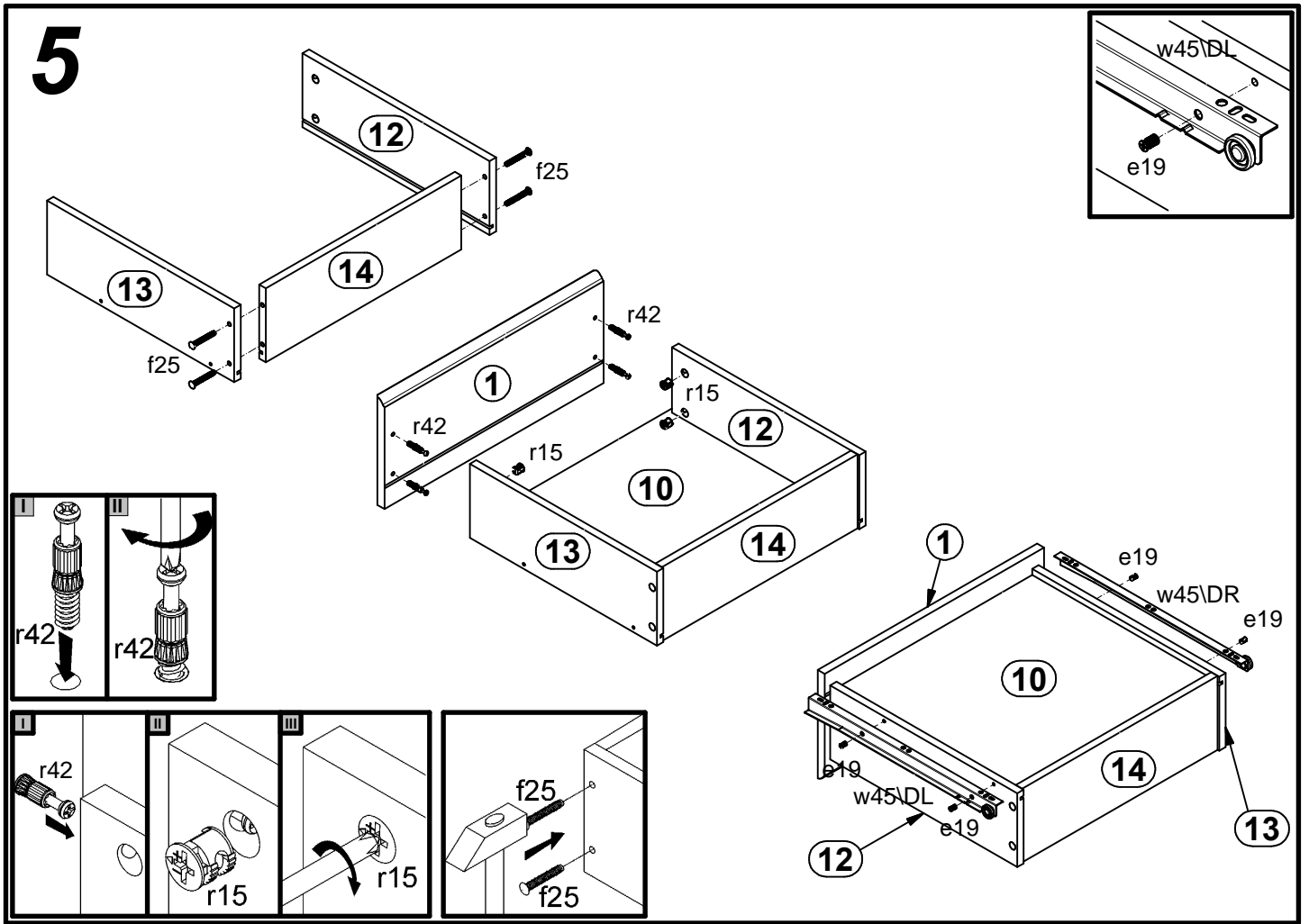


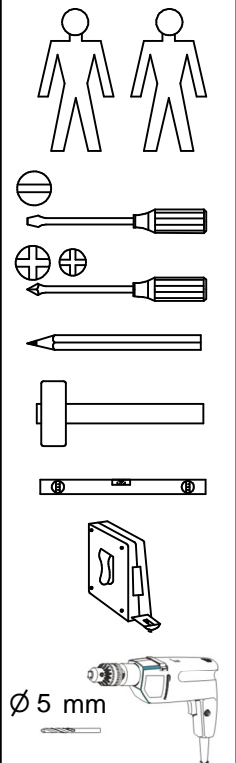
# 3



# 4







A	B	C (mm)		D
1	S264-0003	176	410	3/3, 2/2
2	S264-0004	436	410	3/3, 2/2

