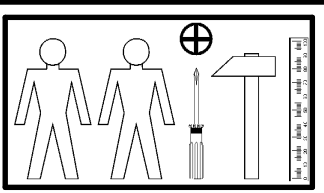
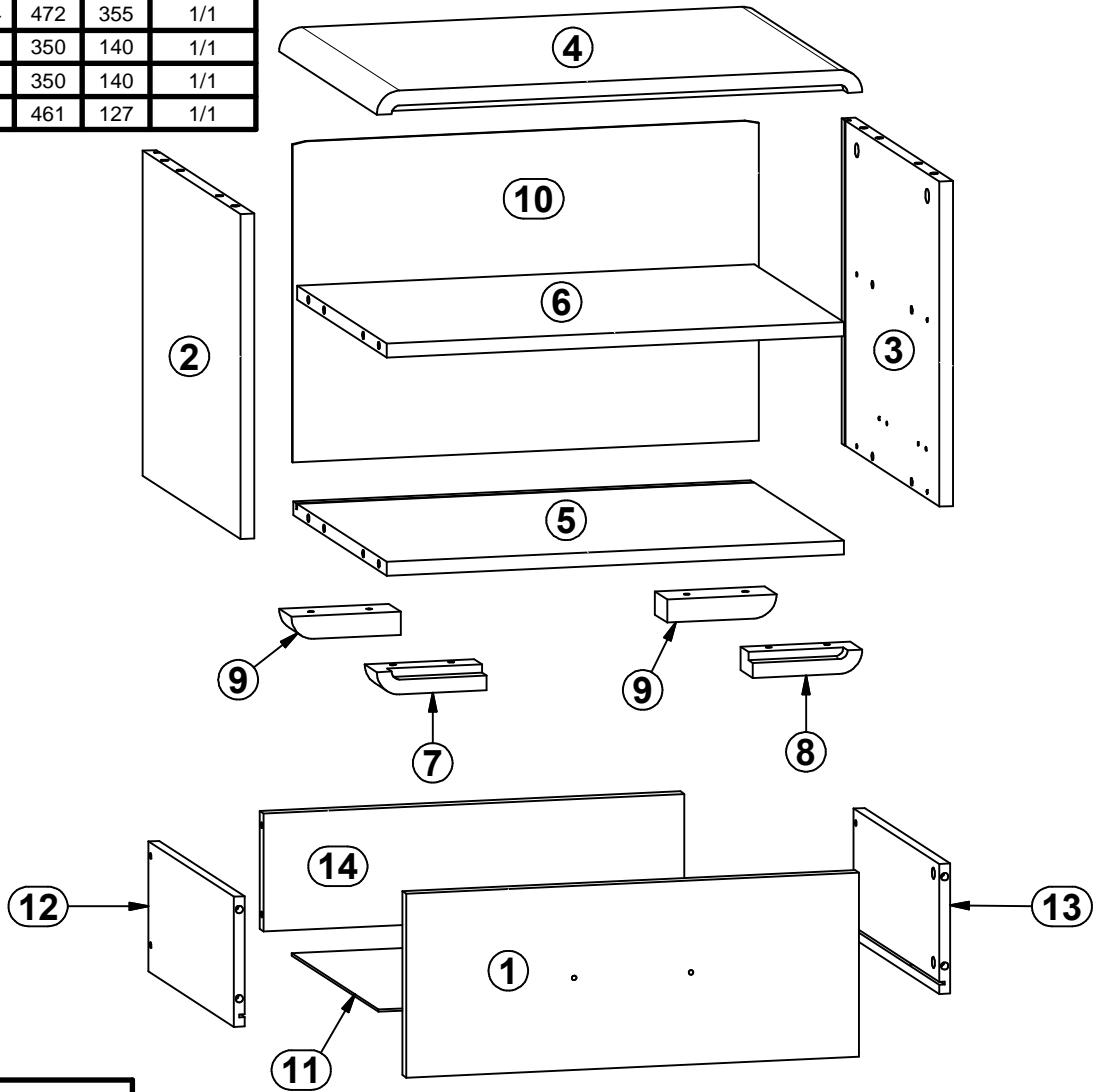
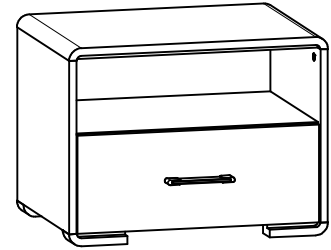
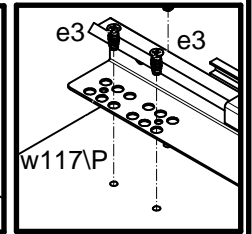
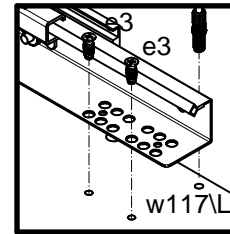
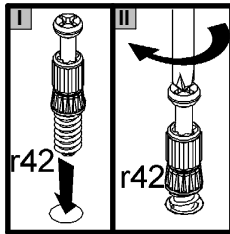
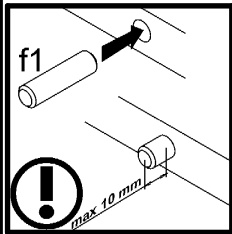
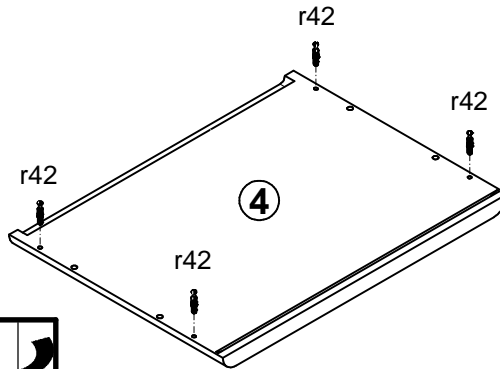
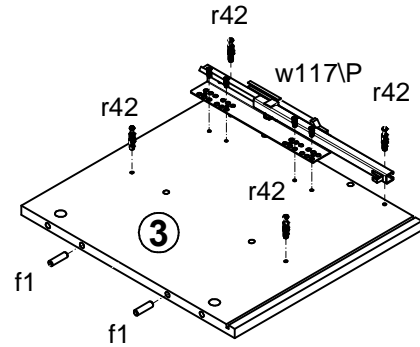
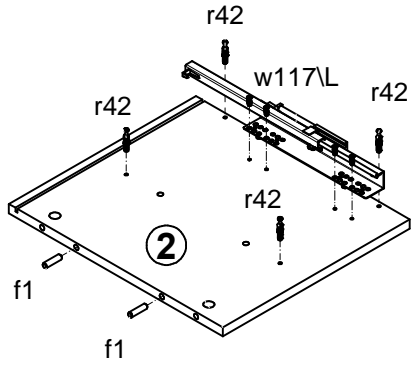
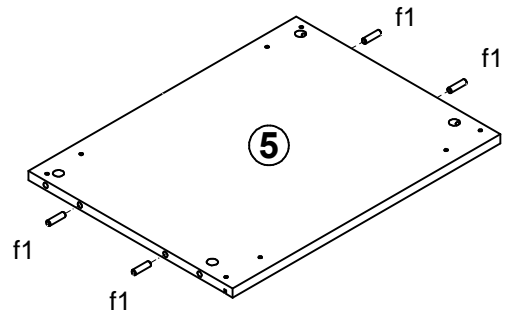
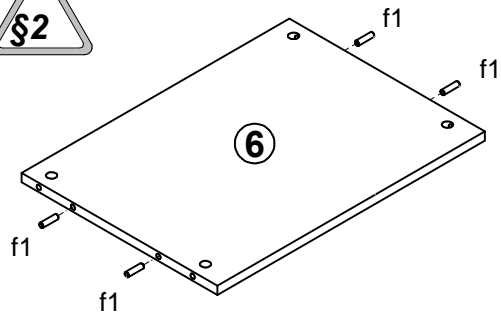


A	B	C	D	
1	S332-0014	496	198	1/1
2	S332-1016	350	400	1/1
3	S332-1017	350	400	1/1
4	S332-2006	532	400	1/1
5	S332-3012	501	382	1/1
6	S332-3013	501	366	1/1
7	S332-5001	120	50	1/1
8	S332-5002	120	50	1/1
9	S332-5003	120	50	1/1
10	S332-9013	345	511	1/1
11	S332-9014	472	355	1/1
12	ZQ2-505	350	140	1/1
13	ZQ2-506	350	140	1/1
14	ZQ2-534	461	127	1/1

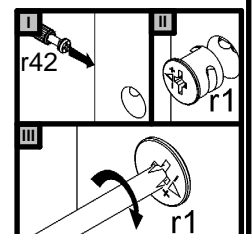
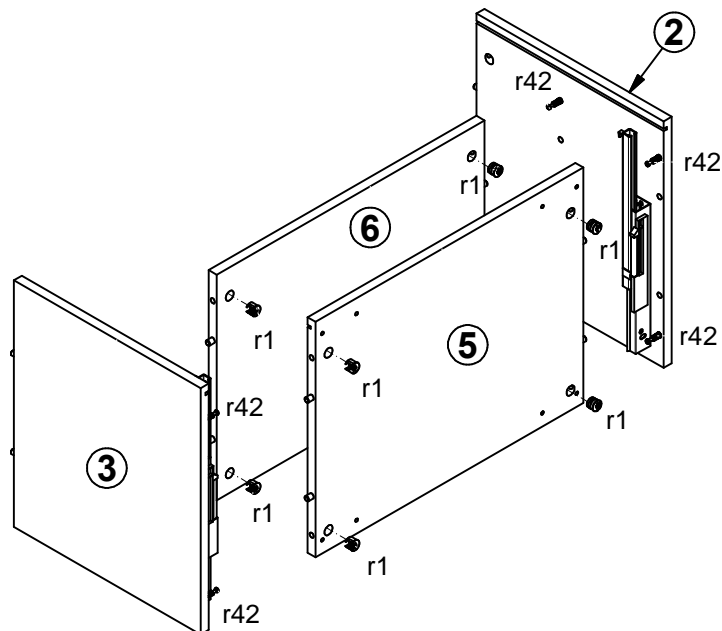


1x 128 mm <b>c424</b>	8x Ø6x13 mm <b>e3</b>	8x Ø6x22 mm <b>e31</b>	12x Ø8x30 mm <b>f1</b>	4x Ø6.5x40 mm <b>f25</b>	2x M4x22 mm <b>j30</b>	6x <b>l2</b>	4x Ø3.5x16 mm <b>p38</b>	12x Ø15x12 mm #16 <b>r1</b>
4x Ø12x10.5 mm #12 <b>r15</b>	16x 20/11 <b>r42</b>	4x Ø16 <b>s2</b>	1x 350 mm W117/L	1x 350 mm W117/P				

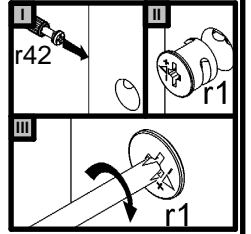
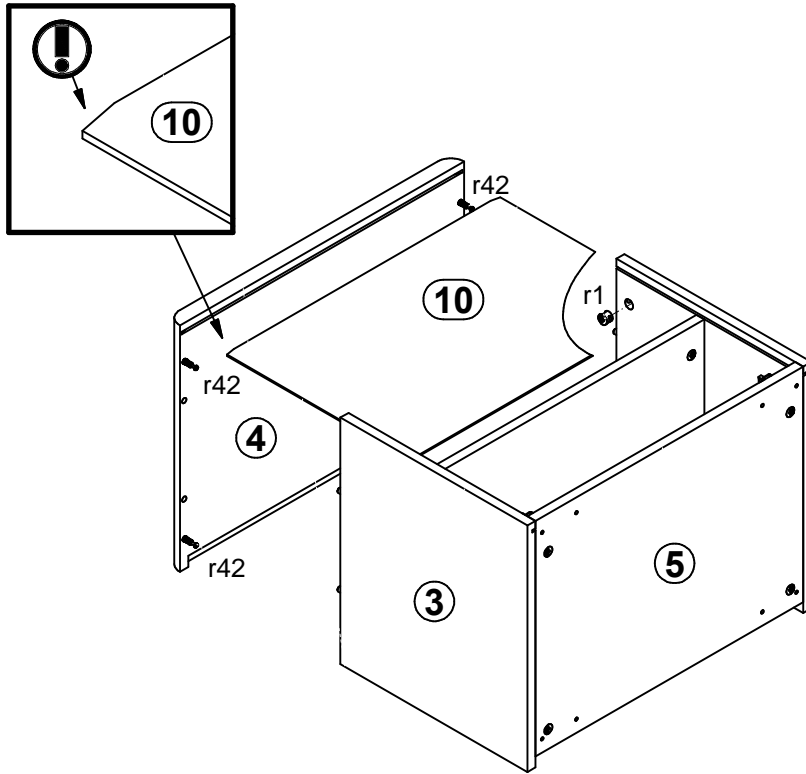
# 1



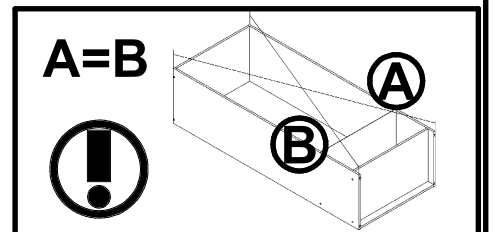
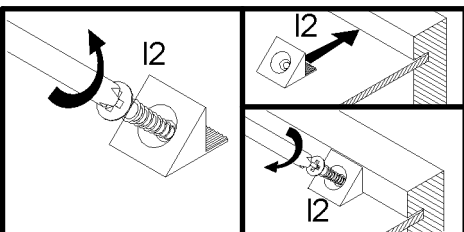
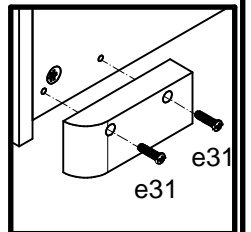
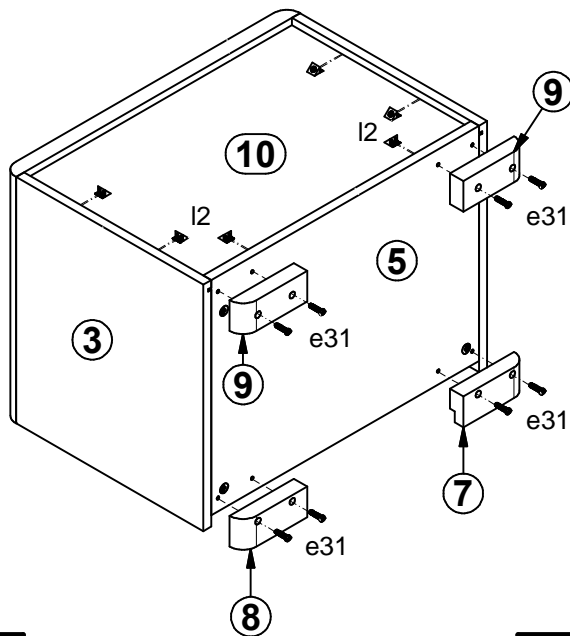
# 2



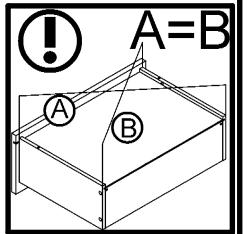
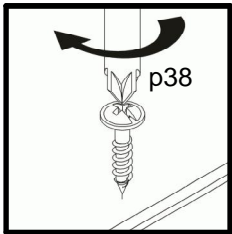
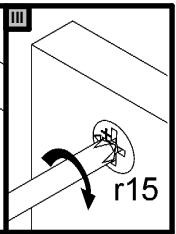
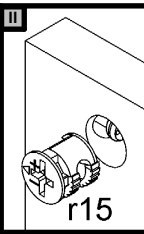
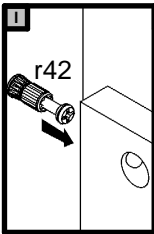
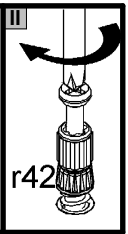
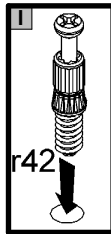
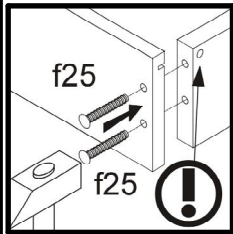
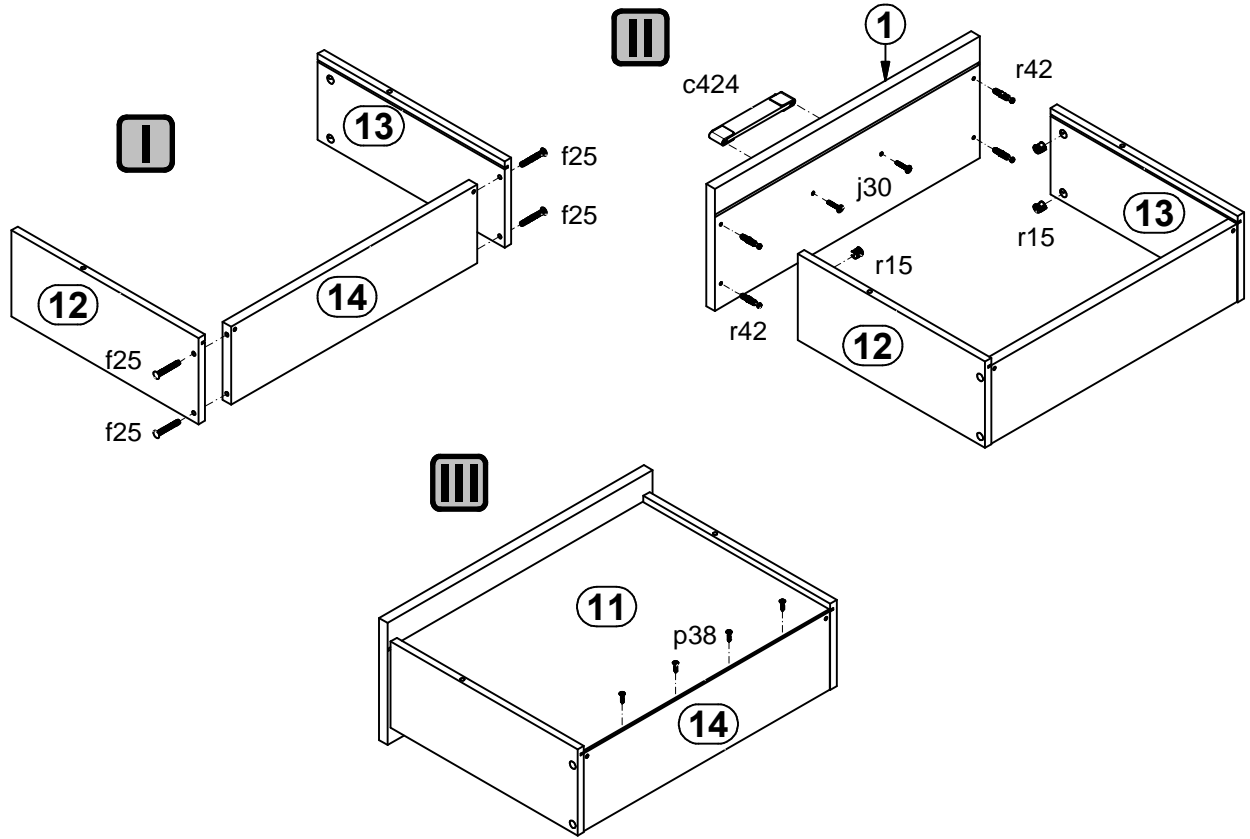
# 3



# 4



# 5



# 6

