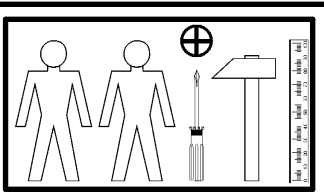
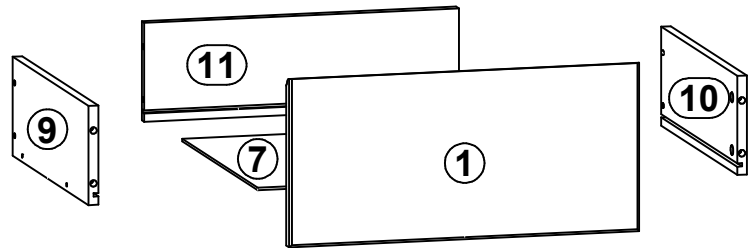
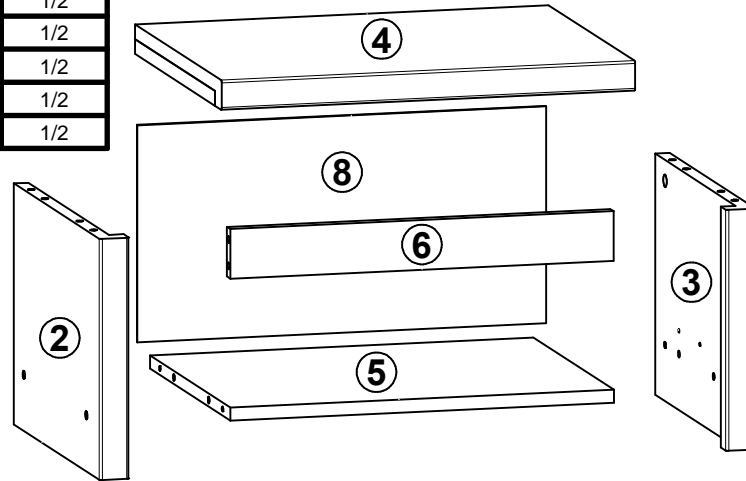
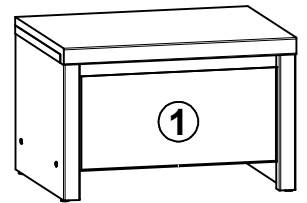


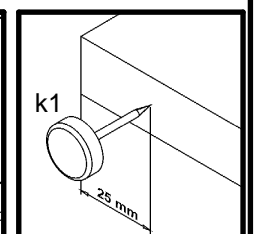
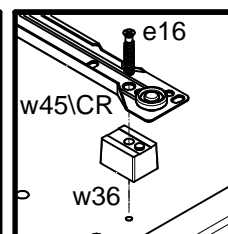
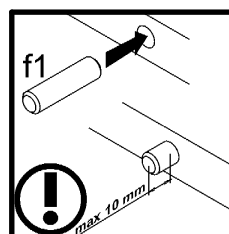
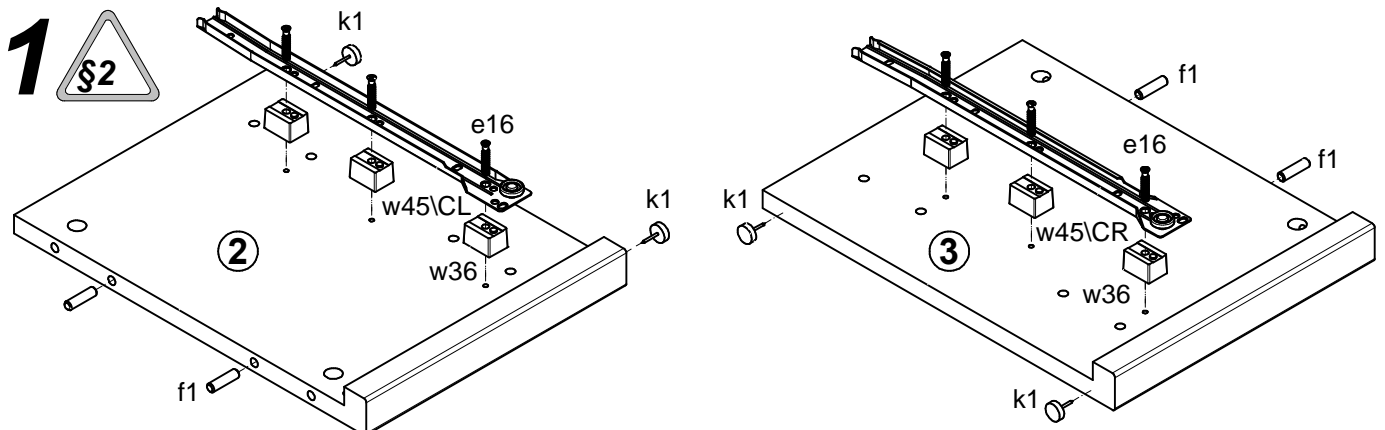
KASPIAN

S128-KOM1S

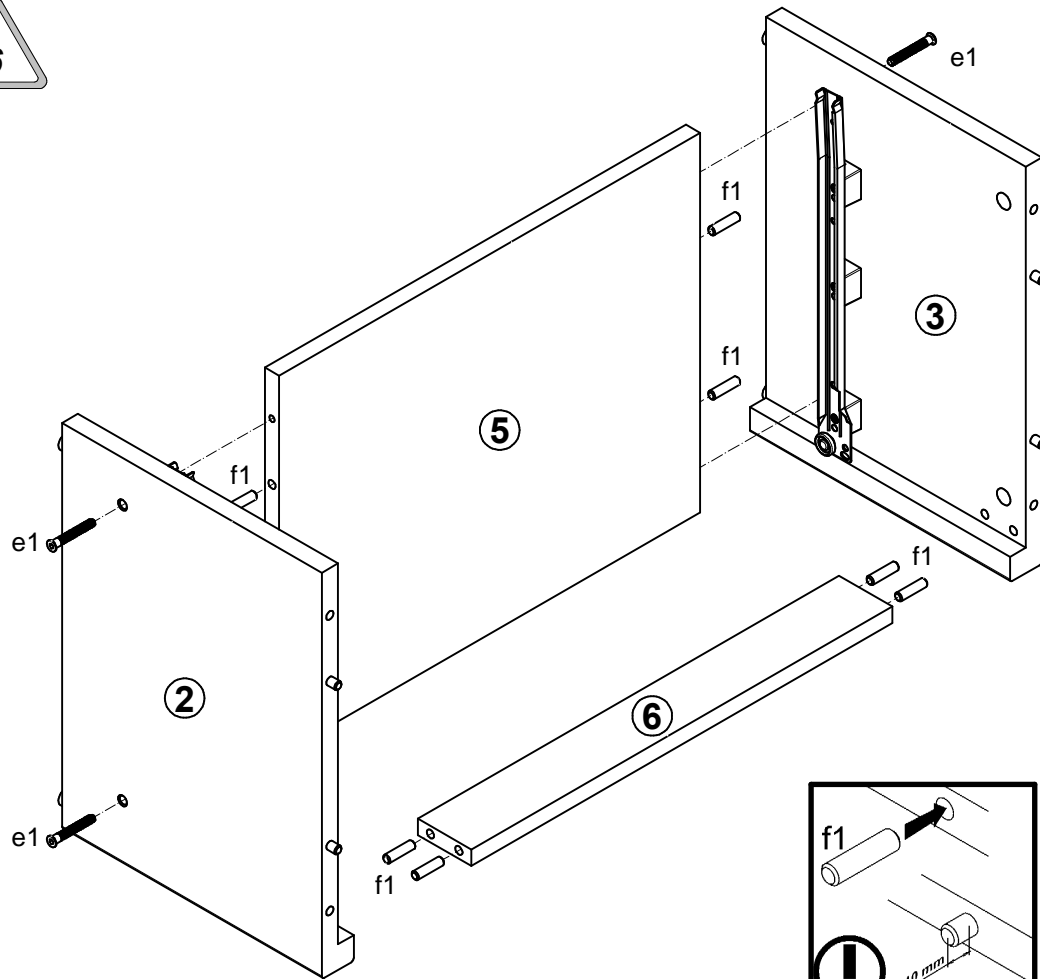
A	B	C	D	
1	S128-018	432	204	2/2
2	S128-134	292	396	1/2
3	S128-135	292	396	1/2
4	S128-210	510	399	1/2
5	S128-317	473	370	1/2
6	S128-410	473	60	1/2
7	S128-919	399	348	1/2
8	S128-920	263	504	1/2
9	ZS2-511	350	120	1/2
10	ZS2-512	350	120	1/2
11	ZS2-5524	388	120	1/2



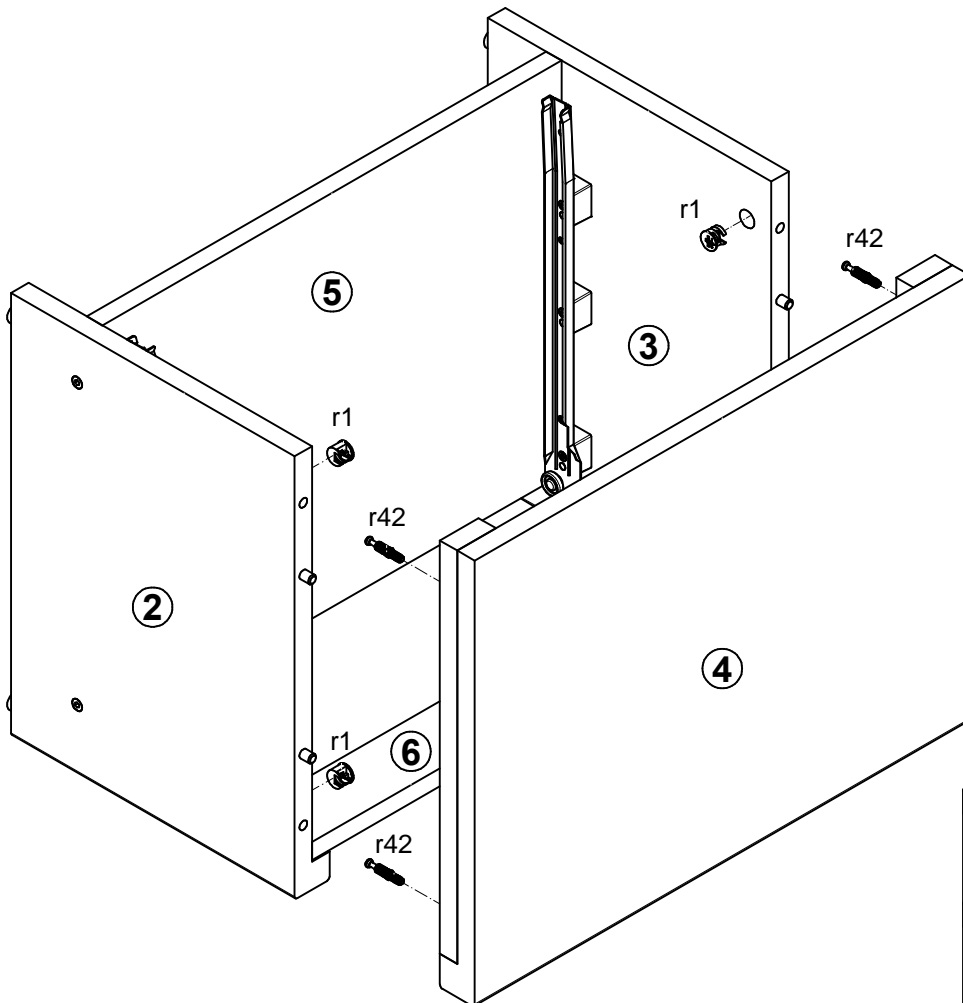
4x φ7x50 mm e1	6x φ6x30 mm e16	4x φ5x9 mm e19	12x φ8x30 mm f1	4x φ6.5x40 mm f25	4x k1	15x l1	4x φ1.5x12mm #16 r1	4x φ12x10.5mm #12 r15
8x r42	6x l=18 mm w36	1x 350 mm w45\CL	1x 350 mm w45\CR	1x 350 mm w45\DL	1x 350 mm w45\DR	1x z1	4x s1	



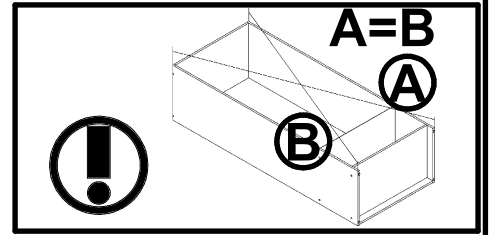
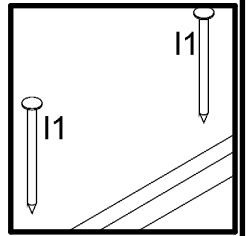
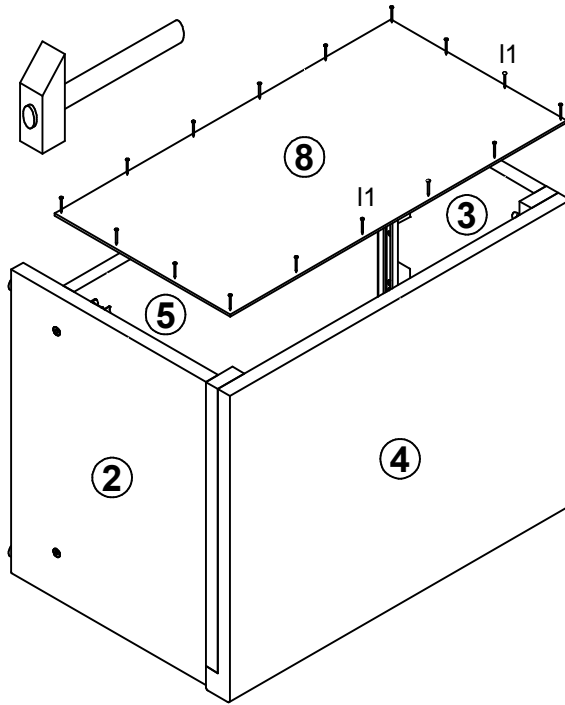
2



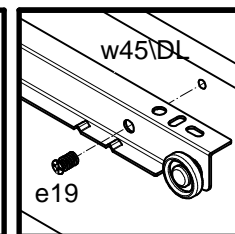
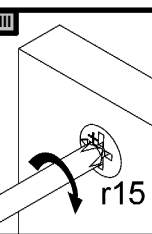
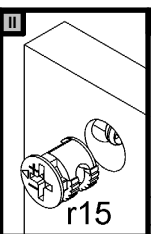
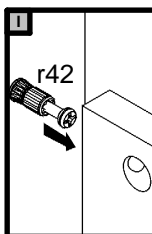
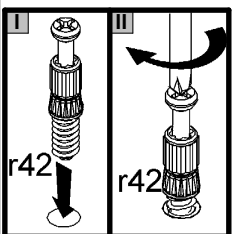
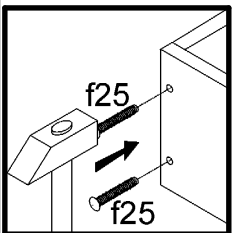
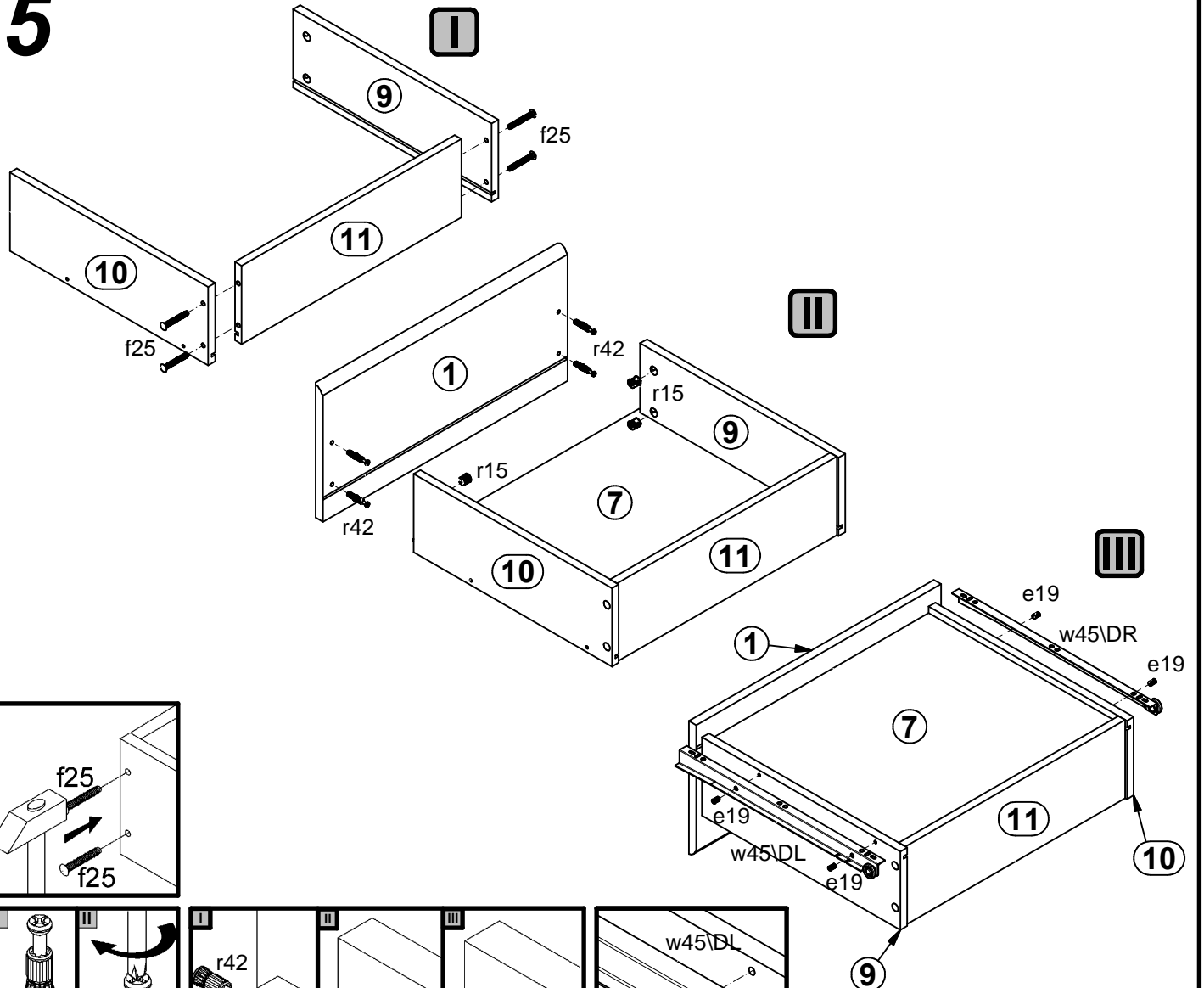
3

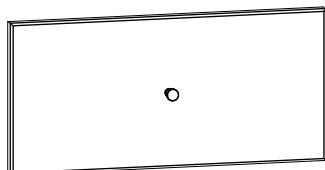
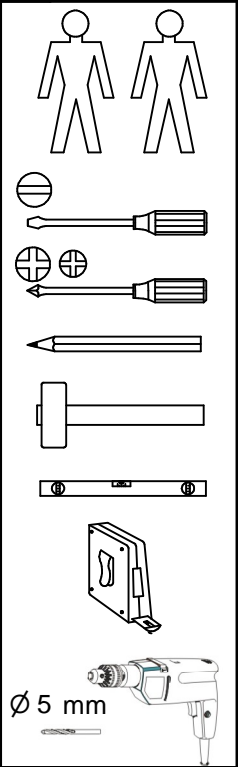


4



5





A	B	C (mm)		D
1	S264-0005	204	432	2/2

