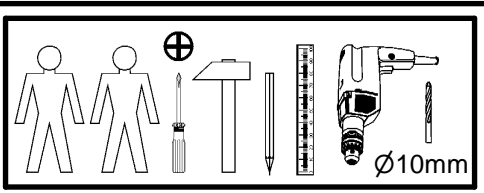
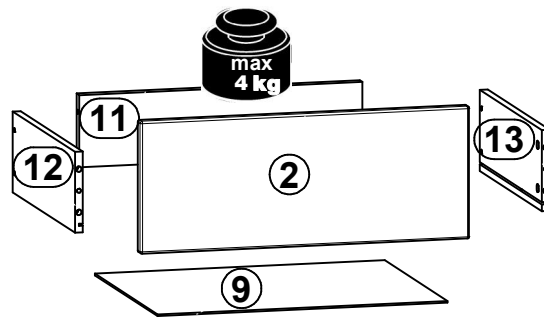
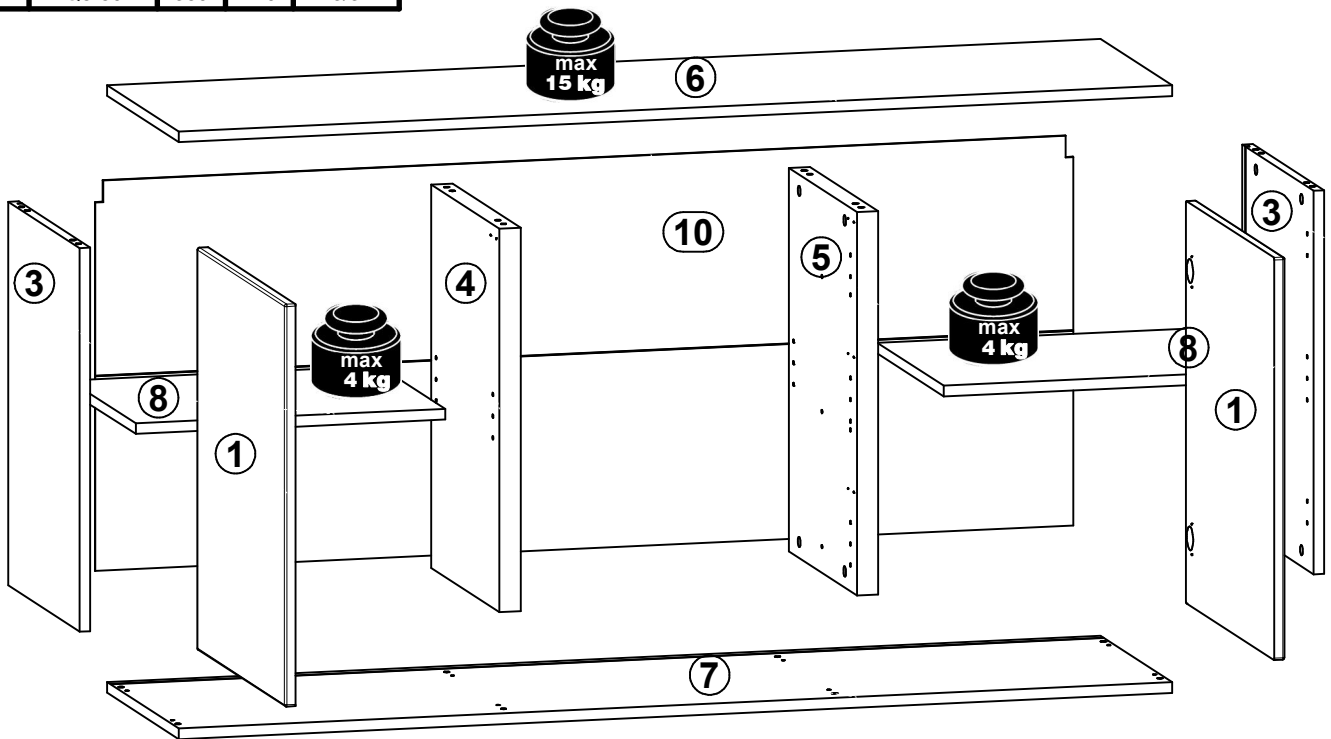
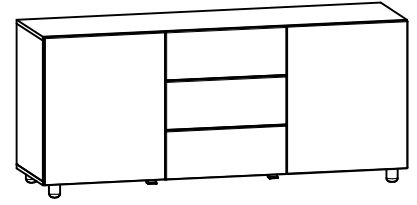
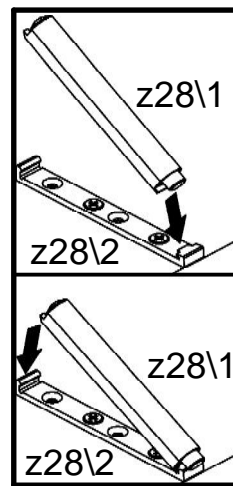
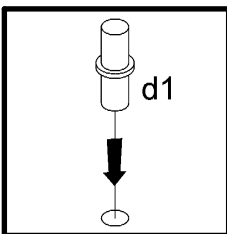
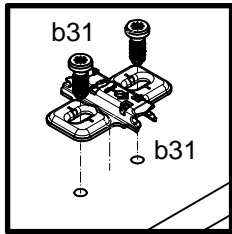
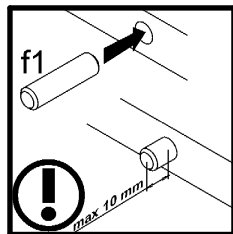
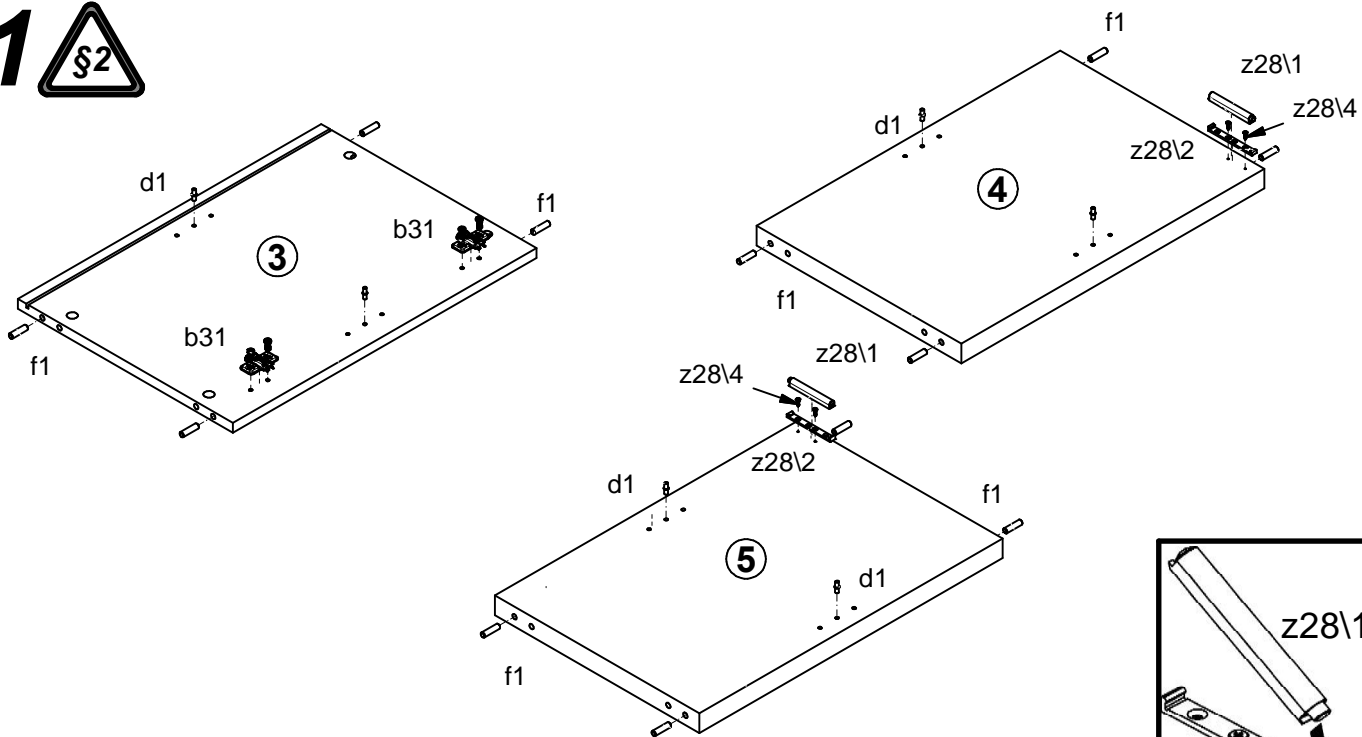


A	B	C	D	
1	S370-0001	596	496	3/3
2	S370-0004	496	196	3/3
3	S370-1001	568	403	1/3
4	S370-1011	568	383	1/3
5	S370-1012	568	383	1/3
6	S370-2001	1498	403	2/3
7	S370-2002	1498	403	2/3
8	S370-3001	467	373	3/3
9	S370-9002	437	355	3/3
10	S370-9301	1475	578	2/3
11	ZQ5-505	427	107	3/3
12	ZQ5-501	350	120	3/3
13	ZQ5-502	350	120	3/3

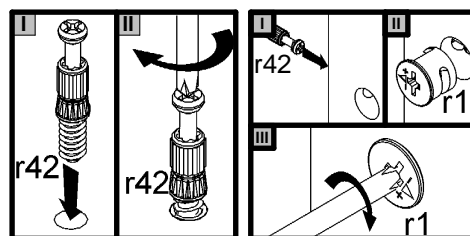
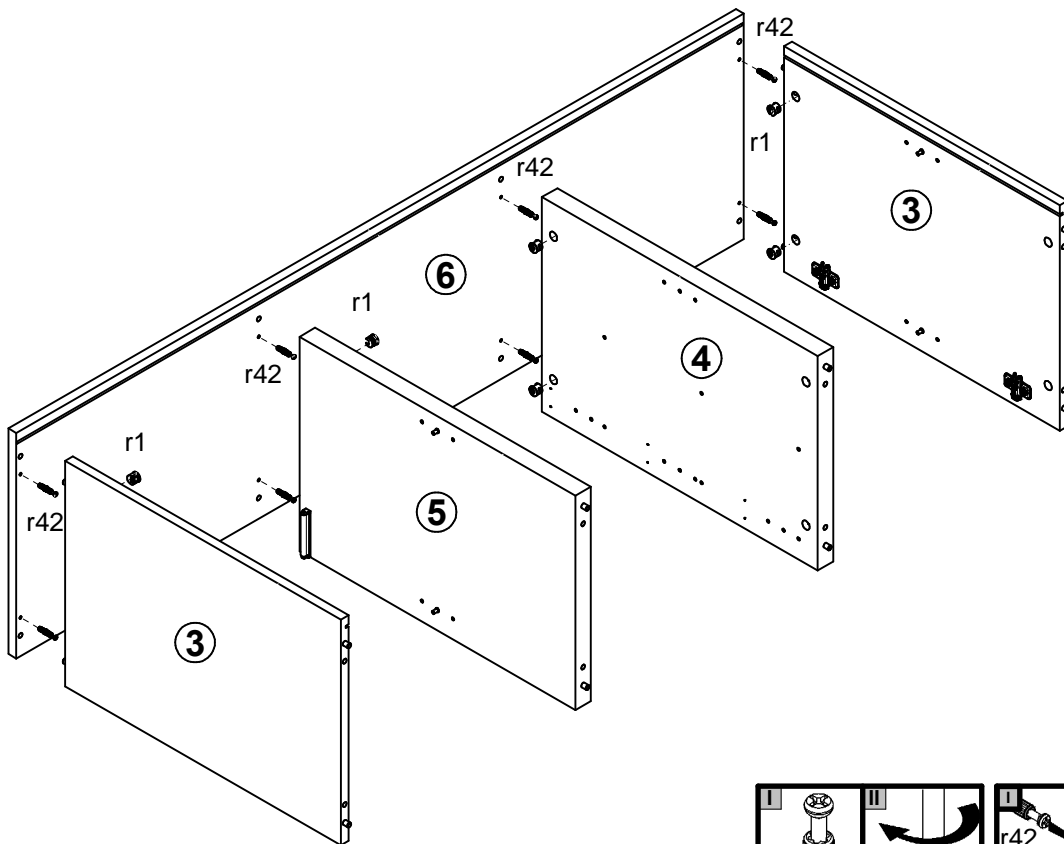


4x a84	4x b31	8x Ø5x17 mm d1	2x Ø6.3x13 mm e2	4x Ø6.3x30 mm e23	12x Ø6x13 mm e3	16x Ø8x30 mm f1	12x Ø6.5x40 mm f25	1x Ø10x50 mm f35
6x Ø6x30 mm f9	4x Ø45x55mm k126	2x 30x30x45 mm k38\11	2x 42.5x42.5x4 mm k38\13	15x l1	16x l2	1x 86x21x151.5 n14\2	1x Ø5x60 mm p17	14x Ø3.5x16 mm p38
8x Ø3.5x15 mm p51	16x Ø15x12 mm #16 r1	12x Ø12x10.5 mm #12 r15	28x 20\11 r42	3x 350mm w167\L	3x 350mm w167\P	8x z28\1	8x 82x9.9x6.5mm z28\2	24x Ø3x12mm z28\4
8x Ø20mm s68	8x 20x20x1.5 mm z28\3							

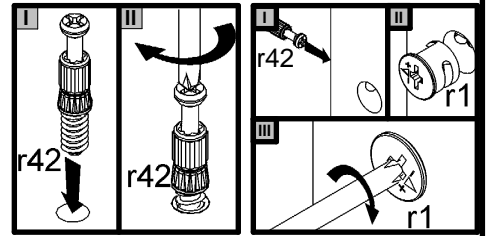
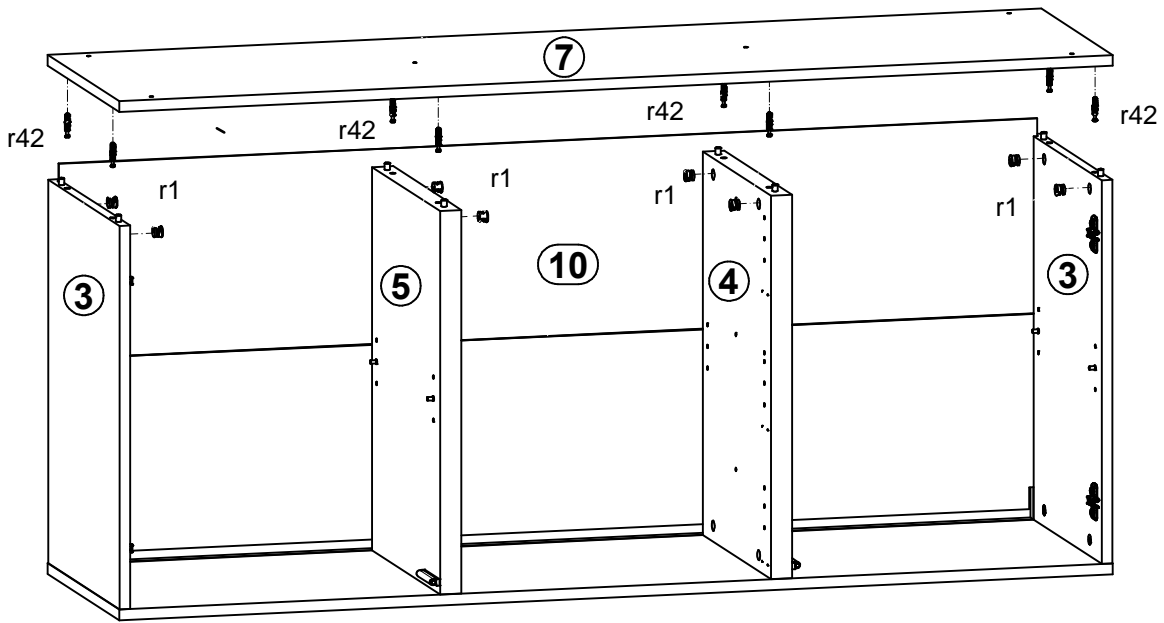
1



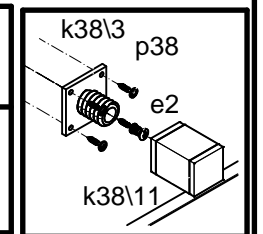
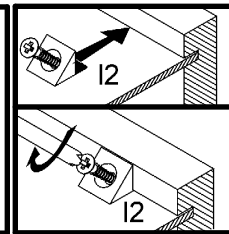
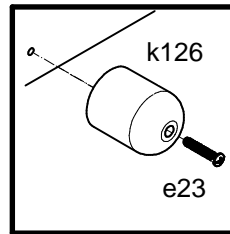
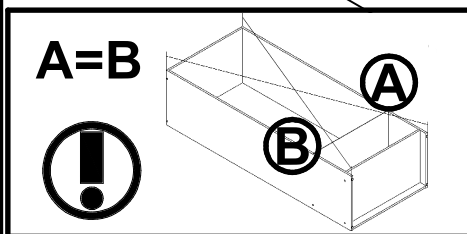
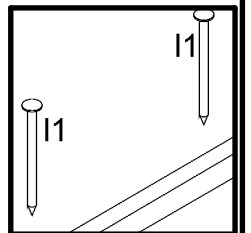
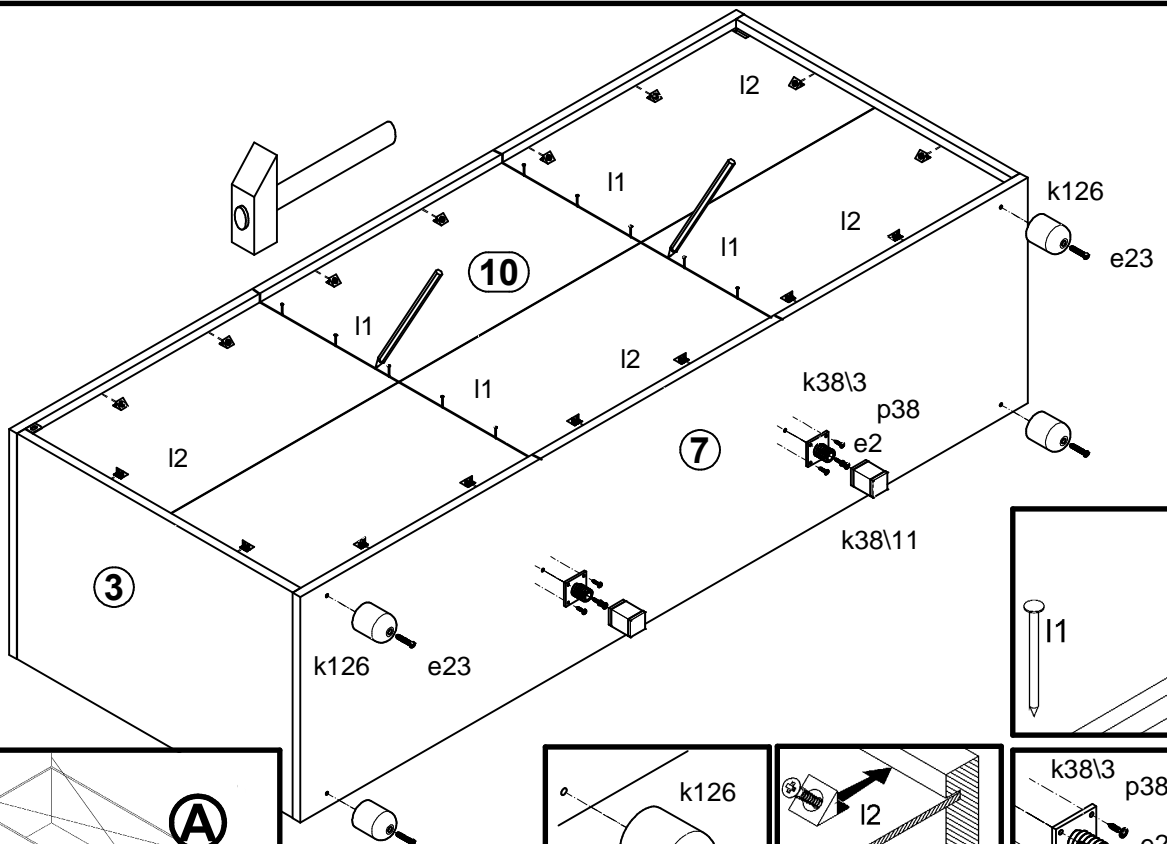
2



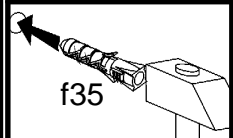
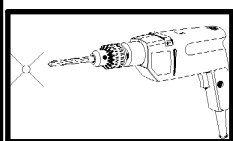
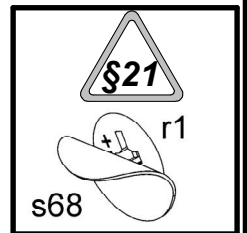
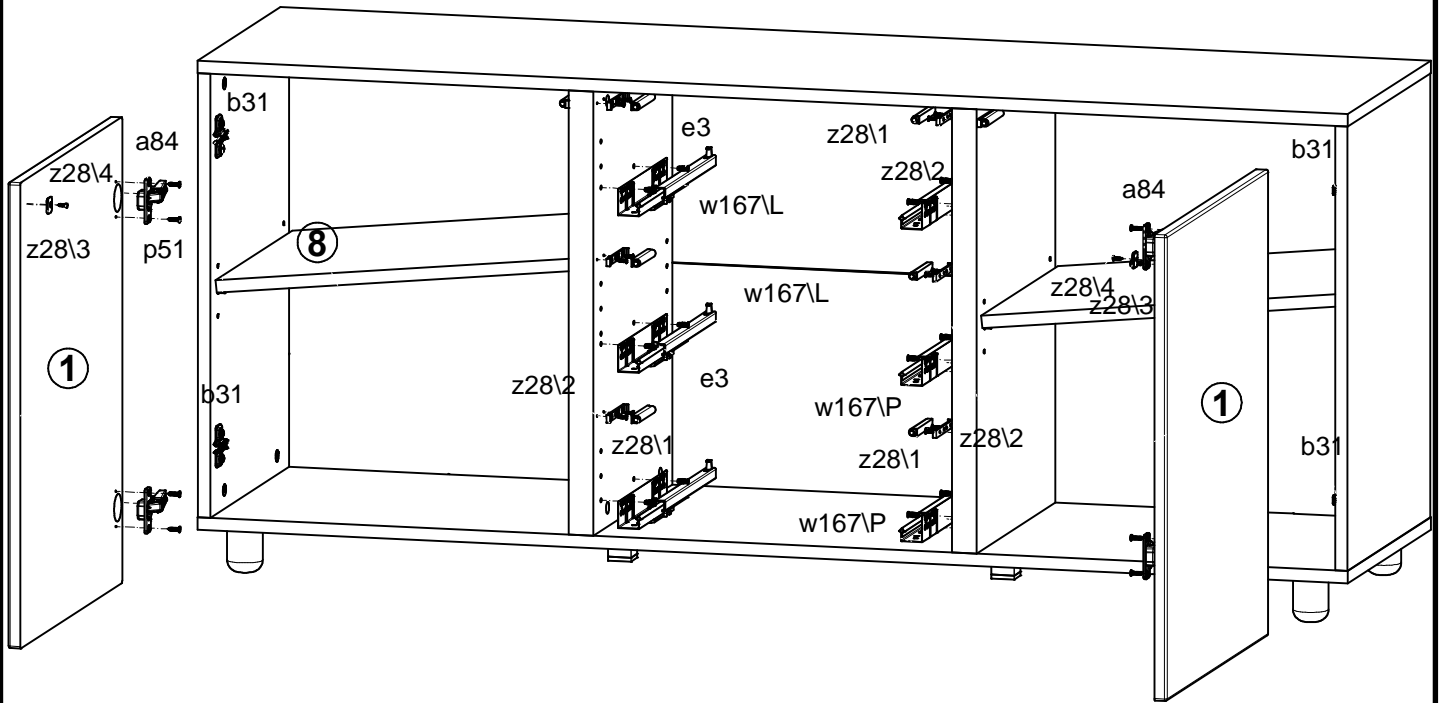
3



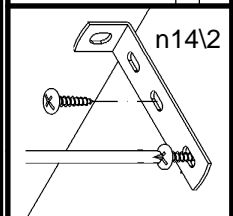
4



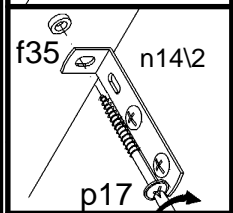
5



f35



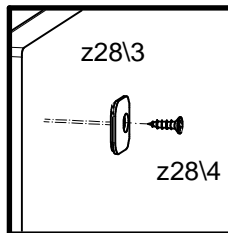
n14\2



f35

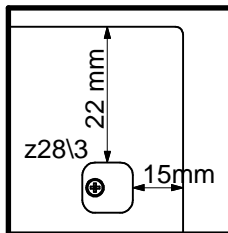
n14\2

p17



z28\3

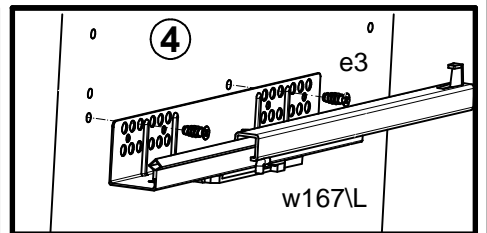
z28\4



22 mm

z28\3

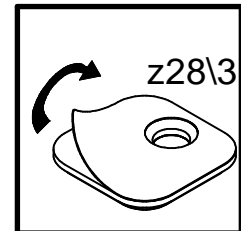
15 mm



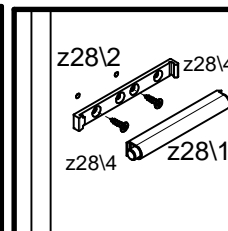
4

e3

w167L



z28\3

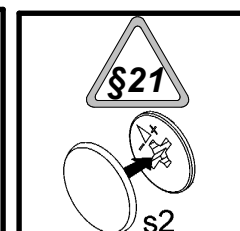


z28\2

z28\4

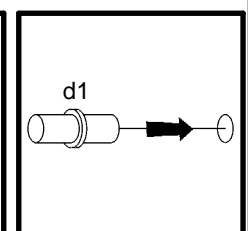
z28\4

z28\1

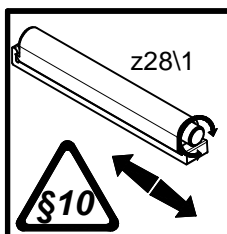


§21

s2

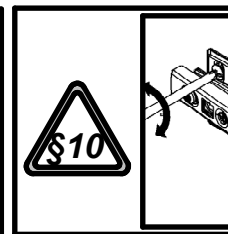
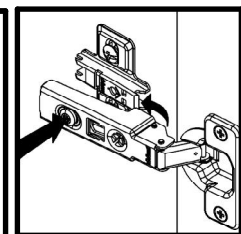


d1

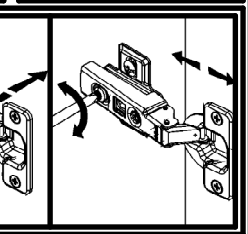
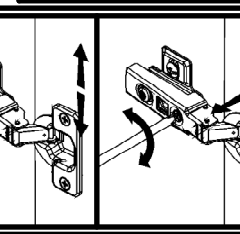


z28\1

§10

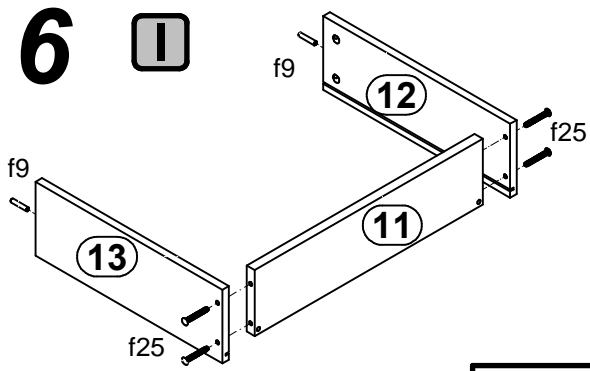


§10

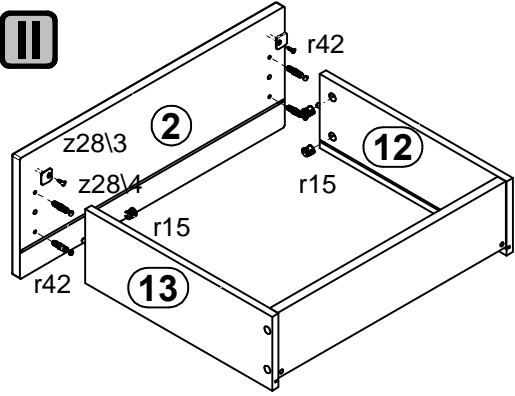


6

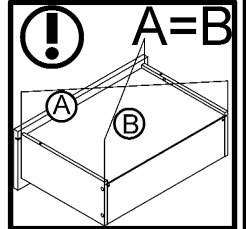
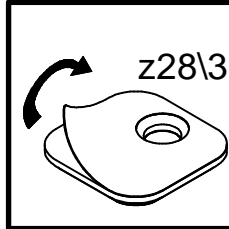
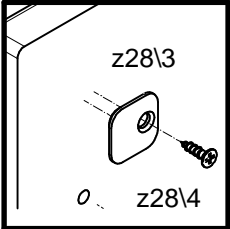
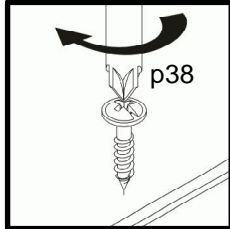
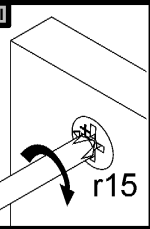
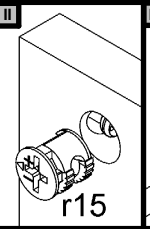
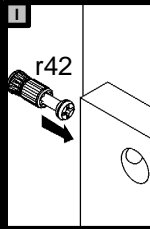
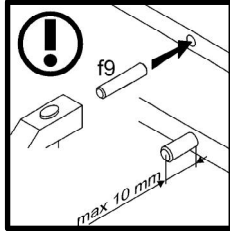
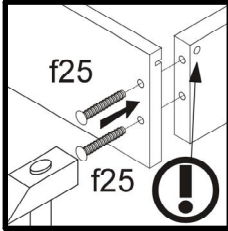
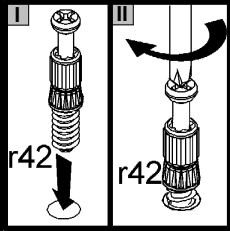
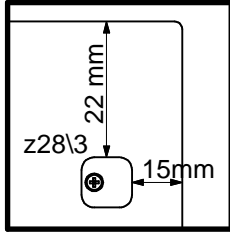
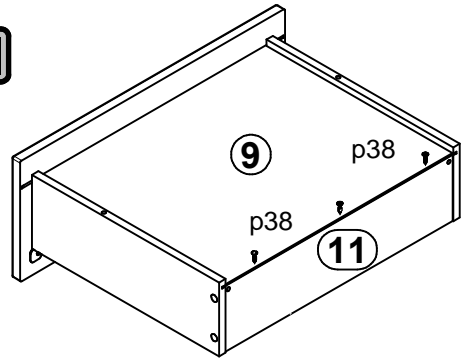
I



II



III



7

