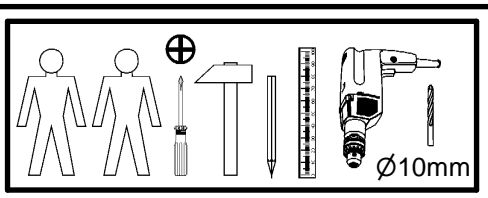
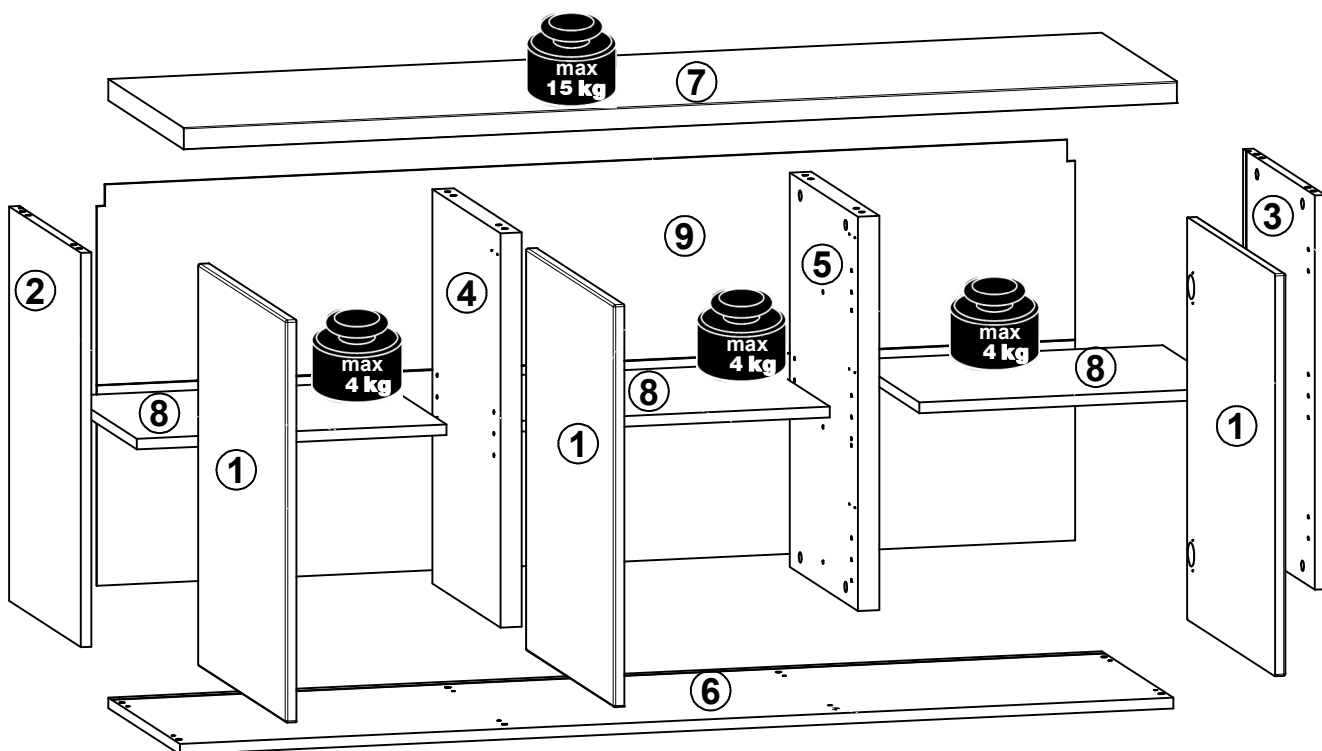
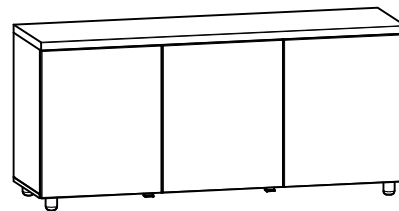
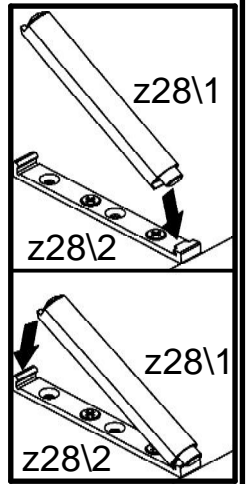
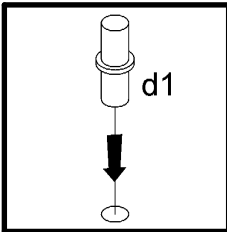
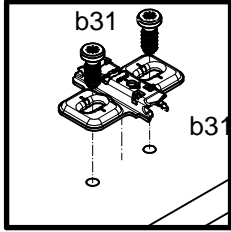
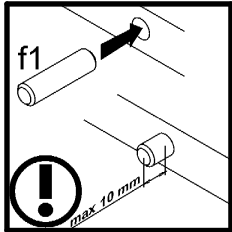
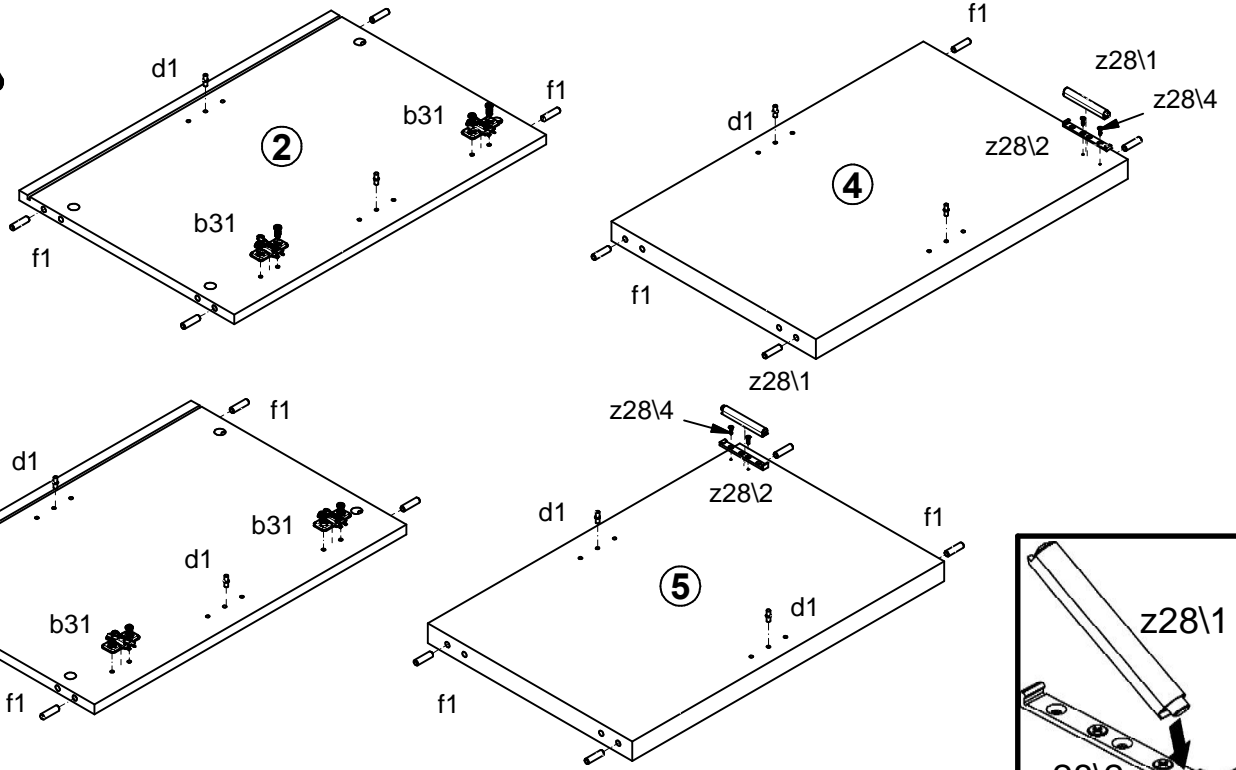


A	B	C	D	
1	S370-0001	596	496	3/3
2	S370-1003	584	403	1/3
3	S370-1004	584	403	1/3
4	S370-1013	584	383	1/3
5	S370-1014	584	383	1/3
6	S370-2002	1498	403	2/3
7	S370-2003	1498	424	2/3
8	S370-3001	467	373	3/3
9	S370-9302	1475	594	2/3

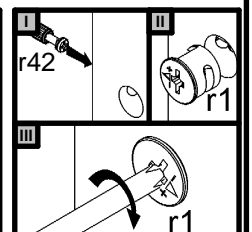
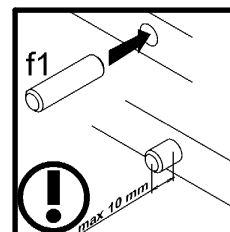
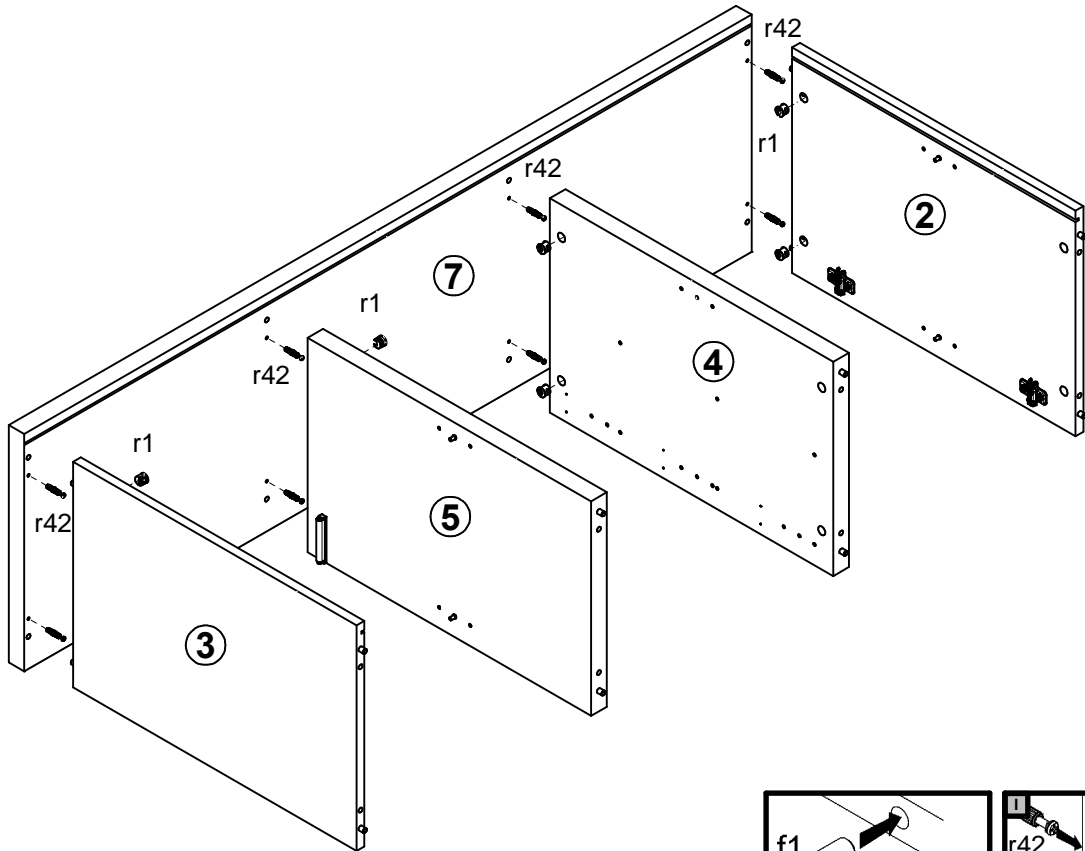


6x a84	6x b31	12x Ø5x17 mm d1	2x Ø6,3x13 mm e2	4x Ø6,3x30 mm e23	16x Ø8x30 mm f1	1x Ø10x50 mm f35	4x Ø45x55mm k126	2x 30x30x45 mm k38111
2x 42,5x62,5x4 mm k3813	10x l1	16x l2	1x 88x21x15/1,5 n1412	1x Ø5x60 mm p17	10x Ø3,5x16 mm p38	12x Ø3,5x15 mm p51	16x Ø15x12 mm #16 r1	16x 20/11 r42
3x z281	3x 82x9,5x6,5mm z282	3x 20x20x1,5 mm z283	9x Ø3x12mm z284	16x Ø 20mm s68				

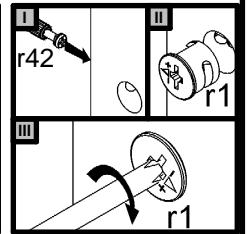
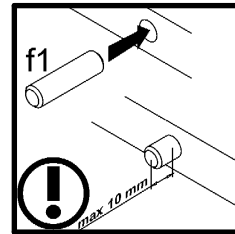
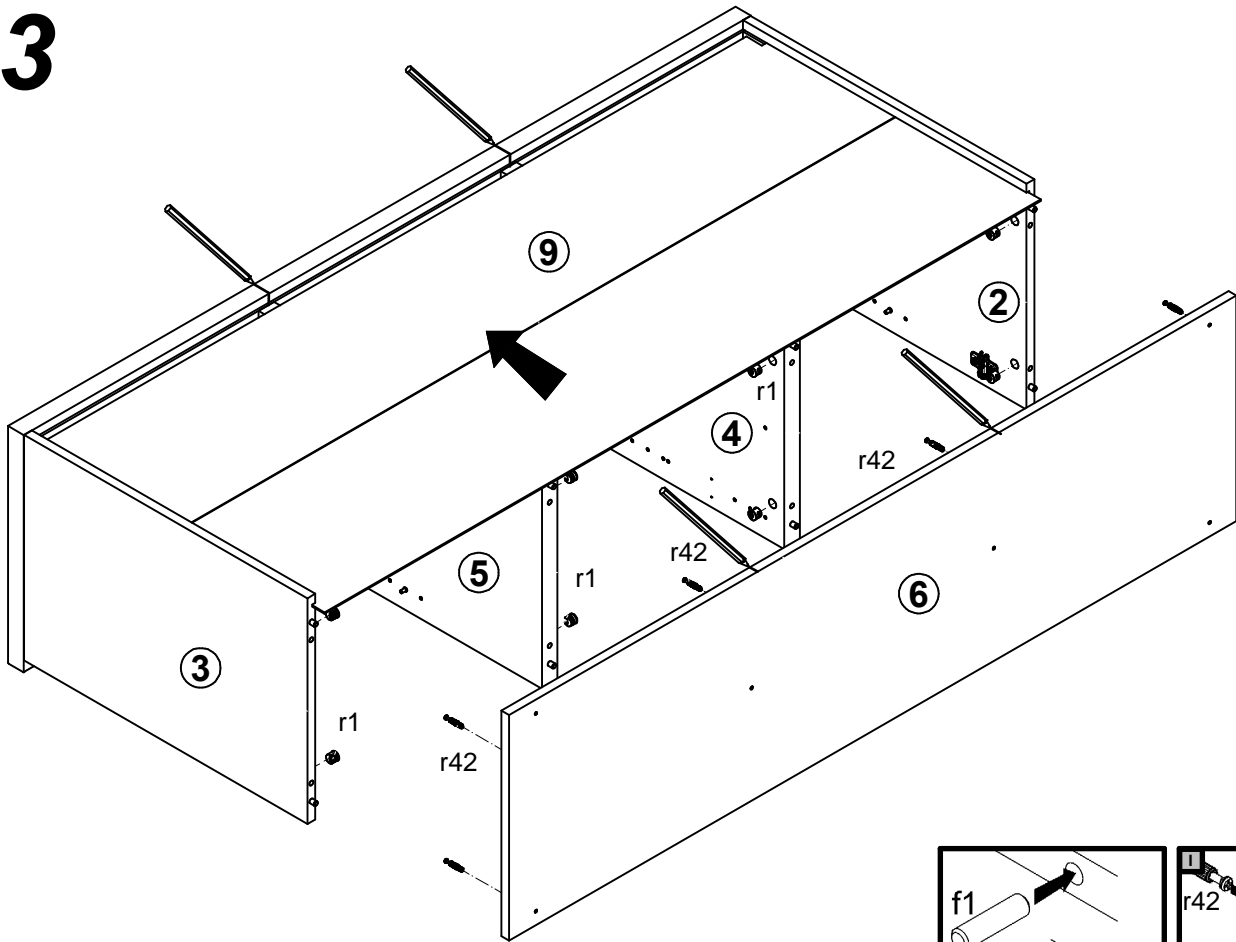
1



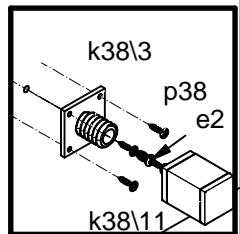
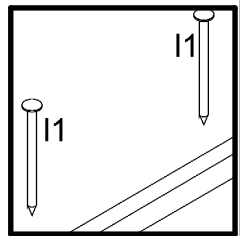
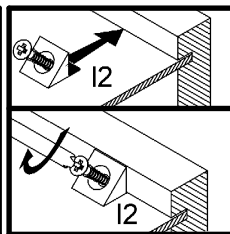
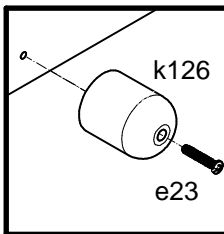
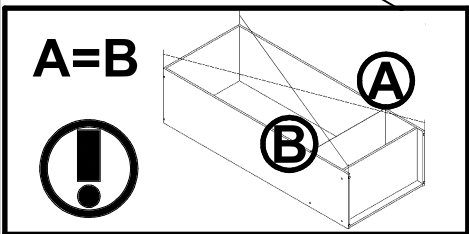
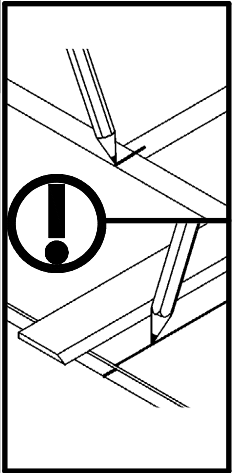
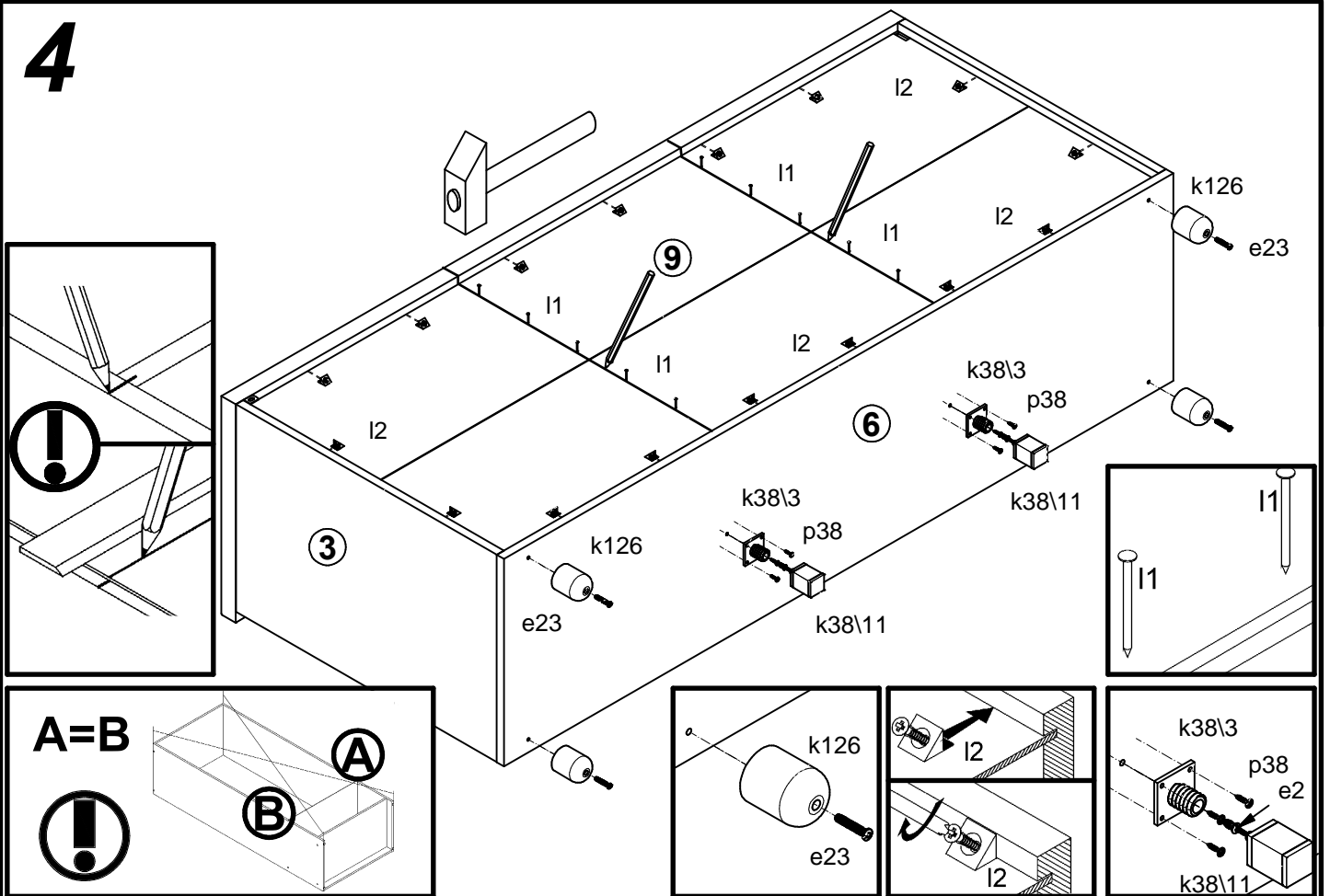
2



3



4



5

