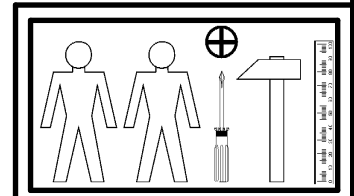
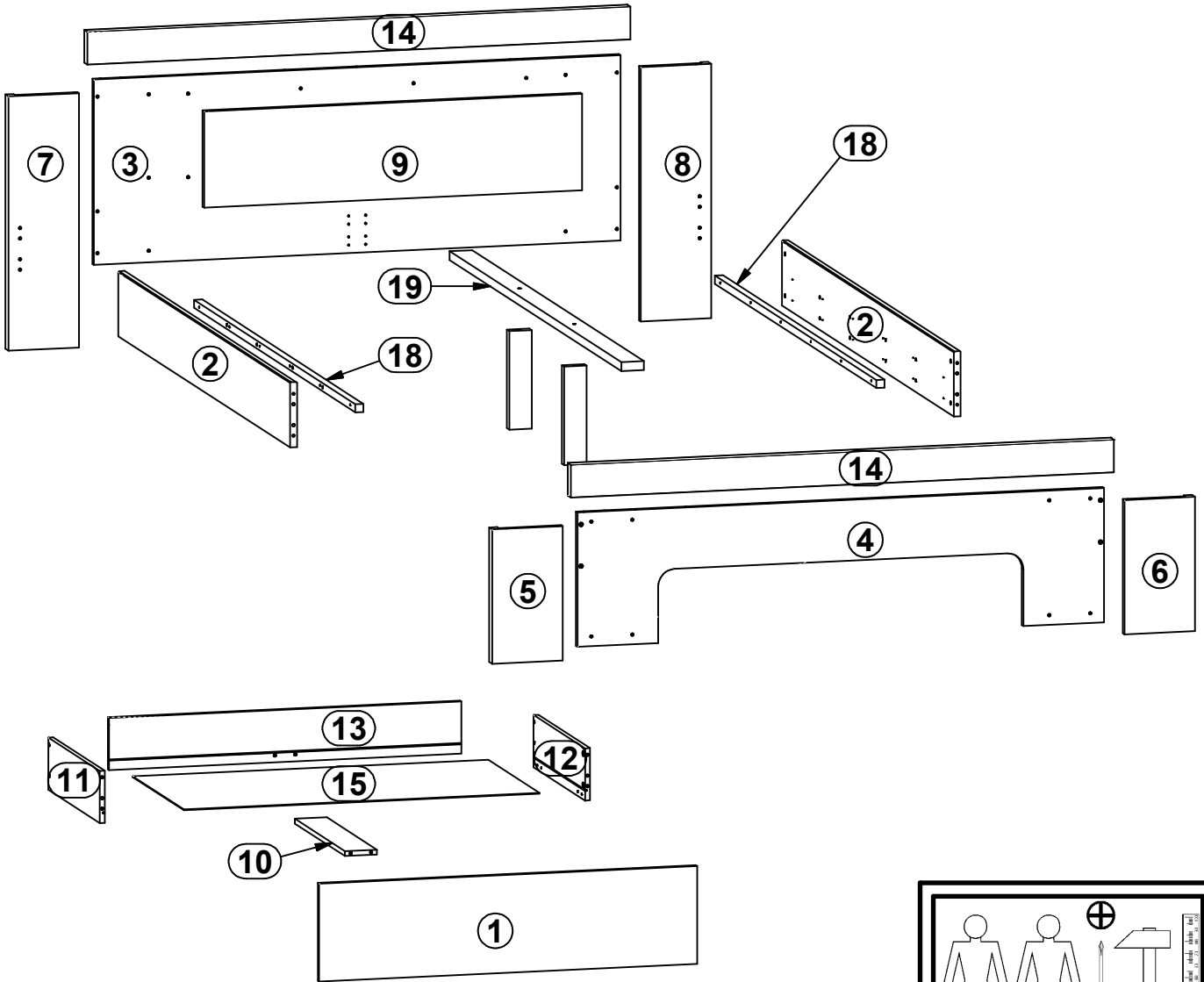
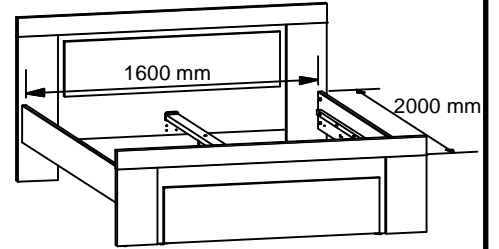
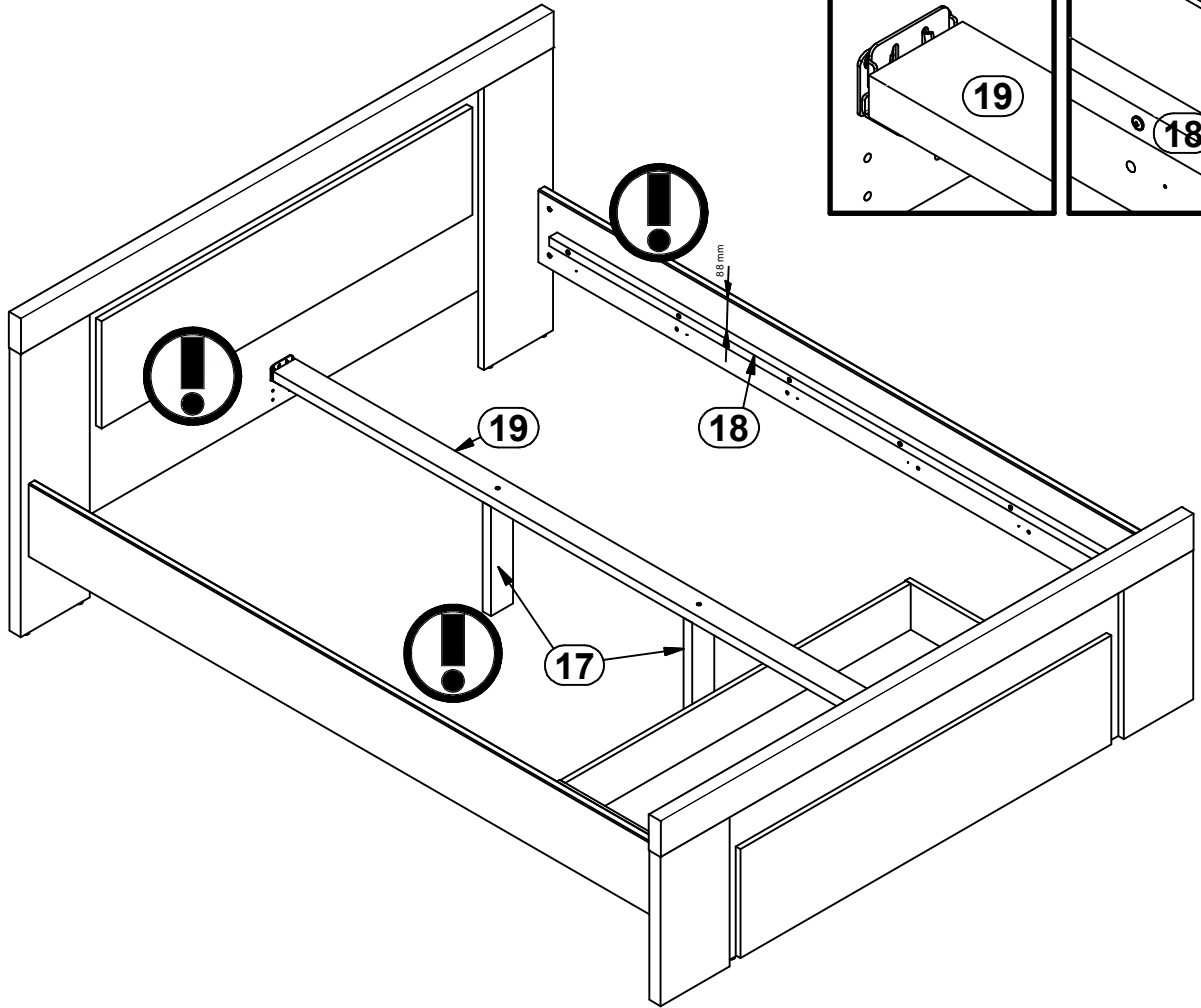


A	B	C	D	A	B	C	D		
1	S317-015	1180	300	3/3	11	S317-505	600	160	1/3
2	S317-119	2000	200	2/3	12	S317-506	600	160	1/3
3	S317-449	1644	569	1/3	13	S317-507	1100	160	1/3
4	S317-450	1644	412	1/3	14	S317-508	1695	100	2/3
5	S317-451	412	220	3/3	15	S317-916	1110	596	1/3
6	S317-452	412	220	3/3	16	ZZ1-416	238	70	2/3
7	S317-453	780	220	3/3	17	ZZ1-424	302	70	2/3
8	S317-454	780	220	3/3	18	ZZ1-747	1880	25	2/3
9	S317-456	1180	296	3/3	19	ZZ1-750	1999	70	2/3
10	S317-457	583	100	1/3					

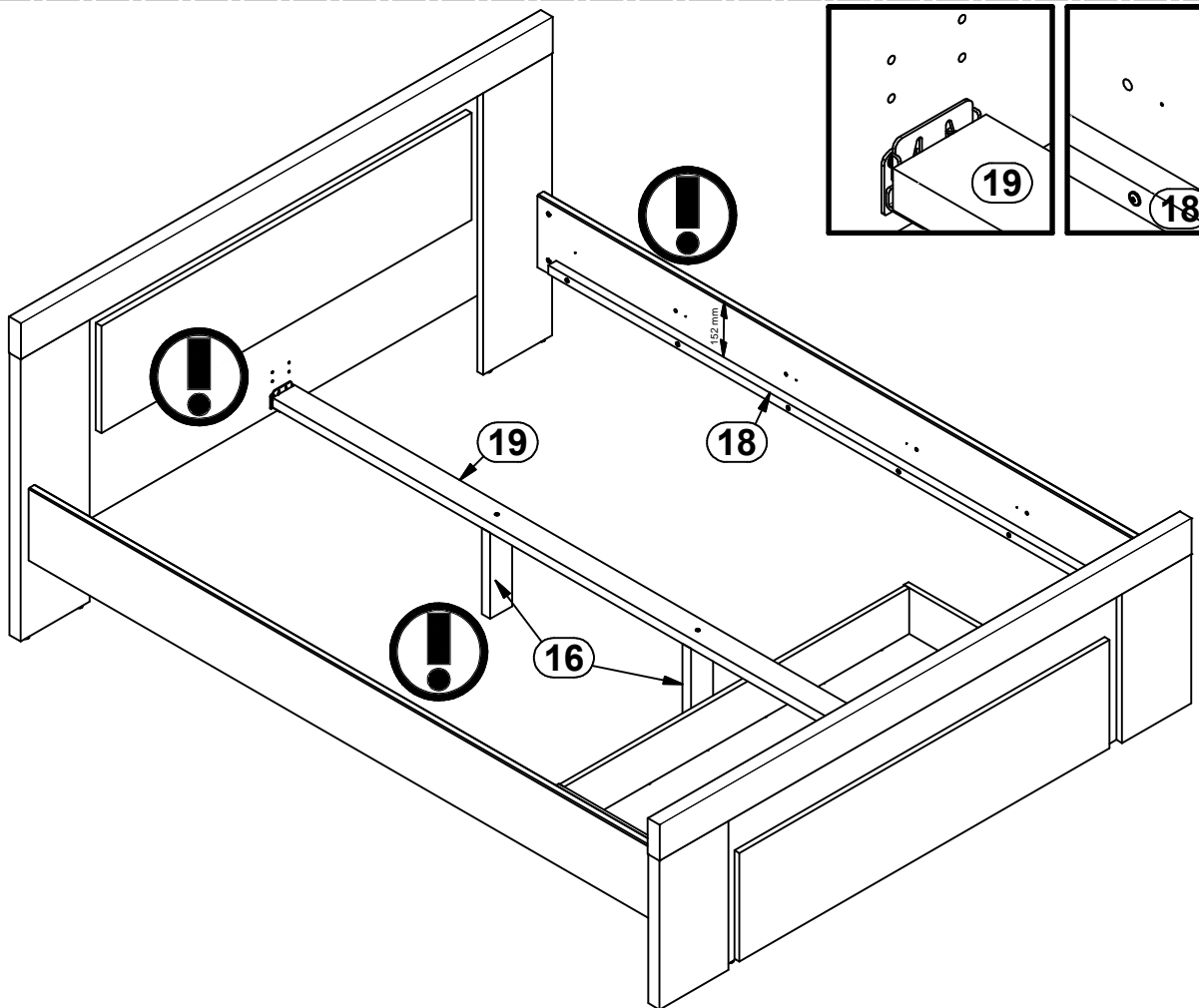


6x Ø7x50 mm e1	8x Ø6.3x13 mm e2	8x Ø6x13 mm e3	2x Ø7x60 mm e8	24x Ø7x28 mm e22	20x Ø8x30 mm f1	24x Ø8x40 mm f41	8x M6x84 mm j138	8x k1
4x k44	18x l2	2x n34/1	2x n34/2	6x Ø4x35 mm p6	12x Ø4x40 mm p10	6x Ø3.5x25 mm p16	18x Ø15x12 mm #16 r1	6x 20/11 r42
8x Ø10x16 mm r43	6x 40 mm r51	10x s1	7x Ø16 s2	3x Ø15 s51	1x z1			

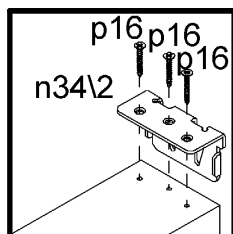
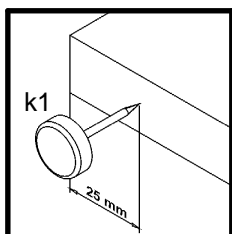
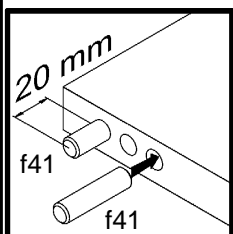
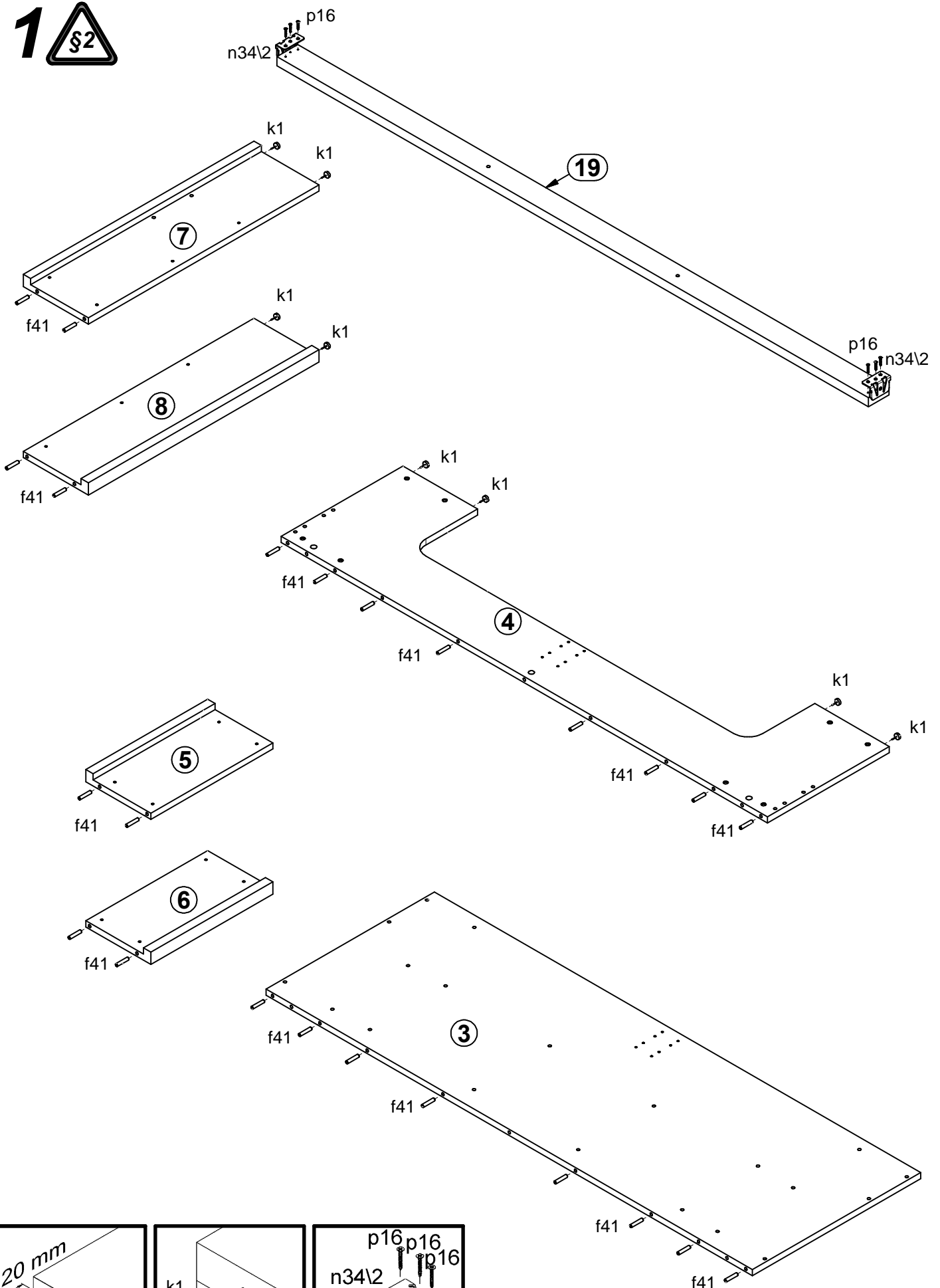
# A



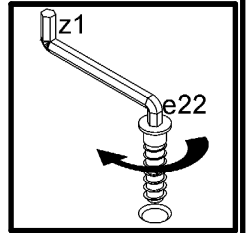
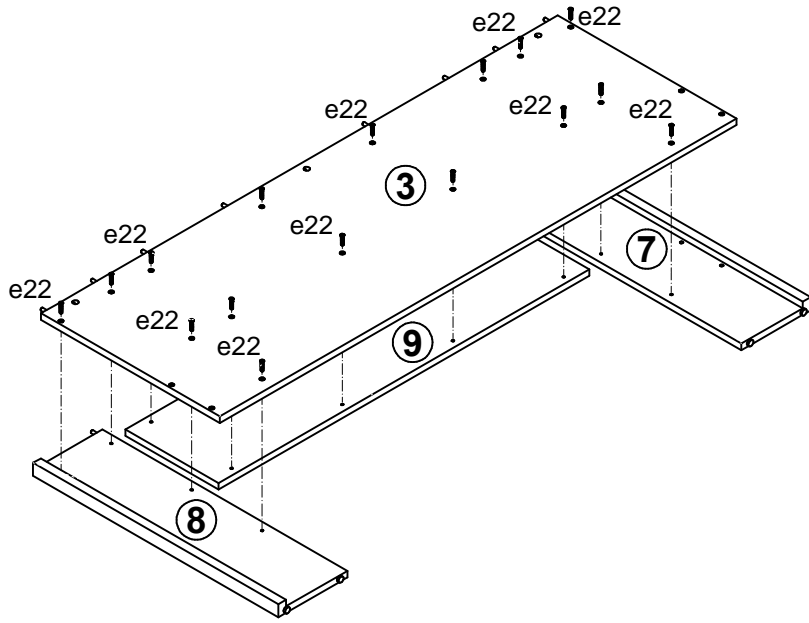
# B



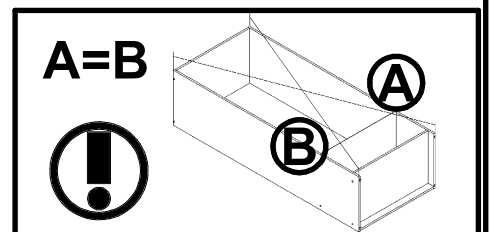
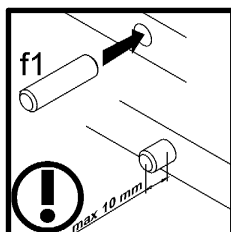
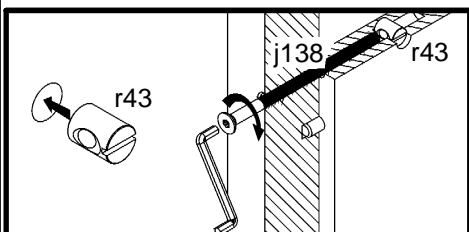
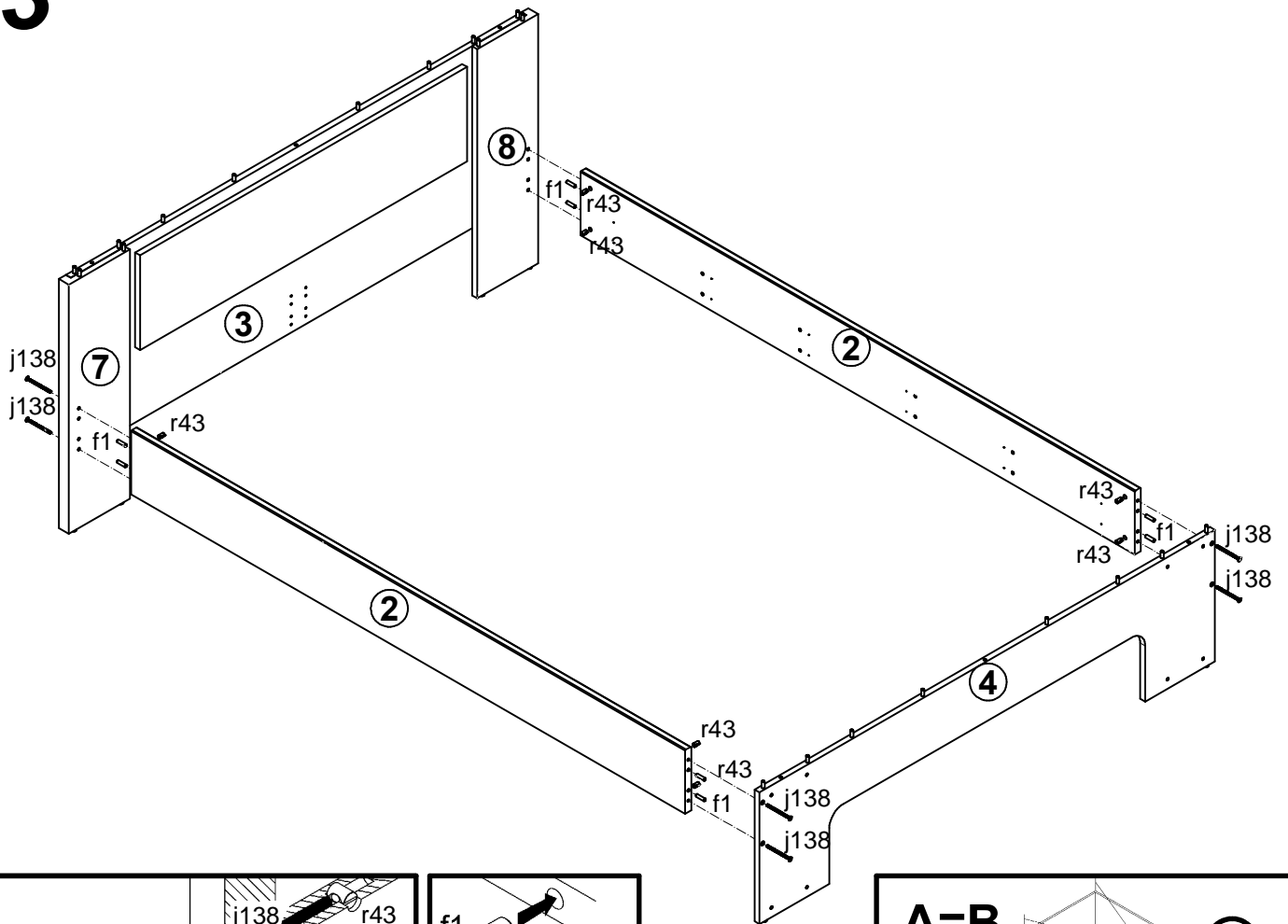
1 



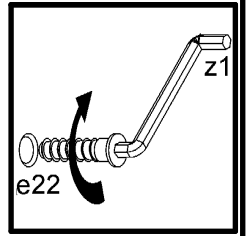
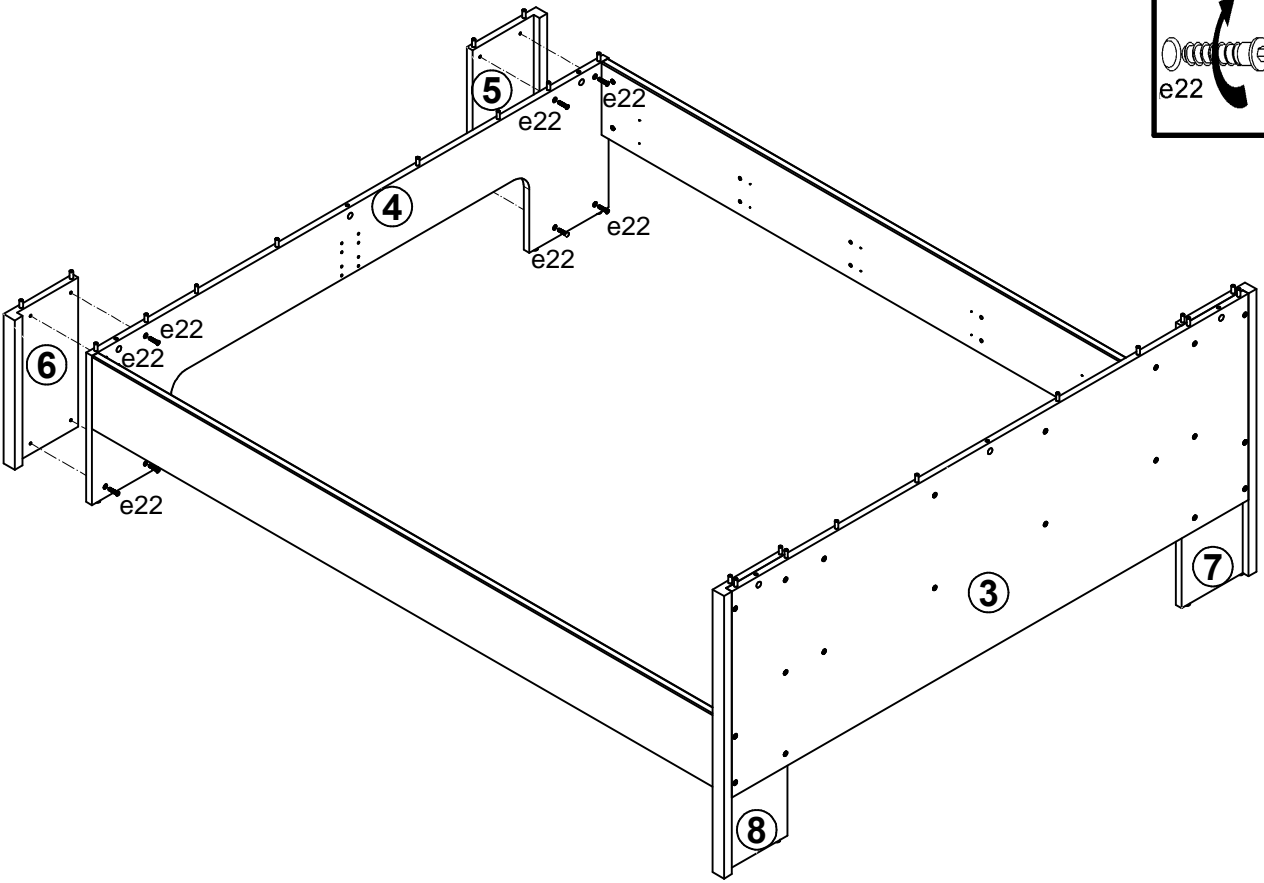
**2** 



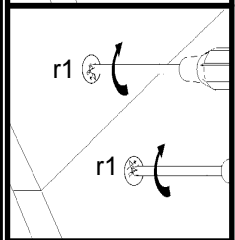
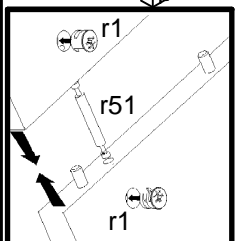
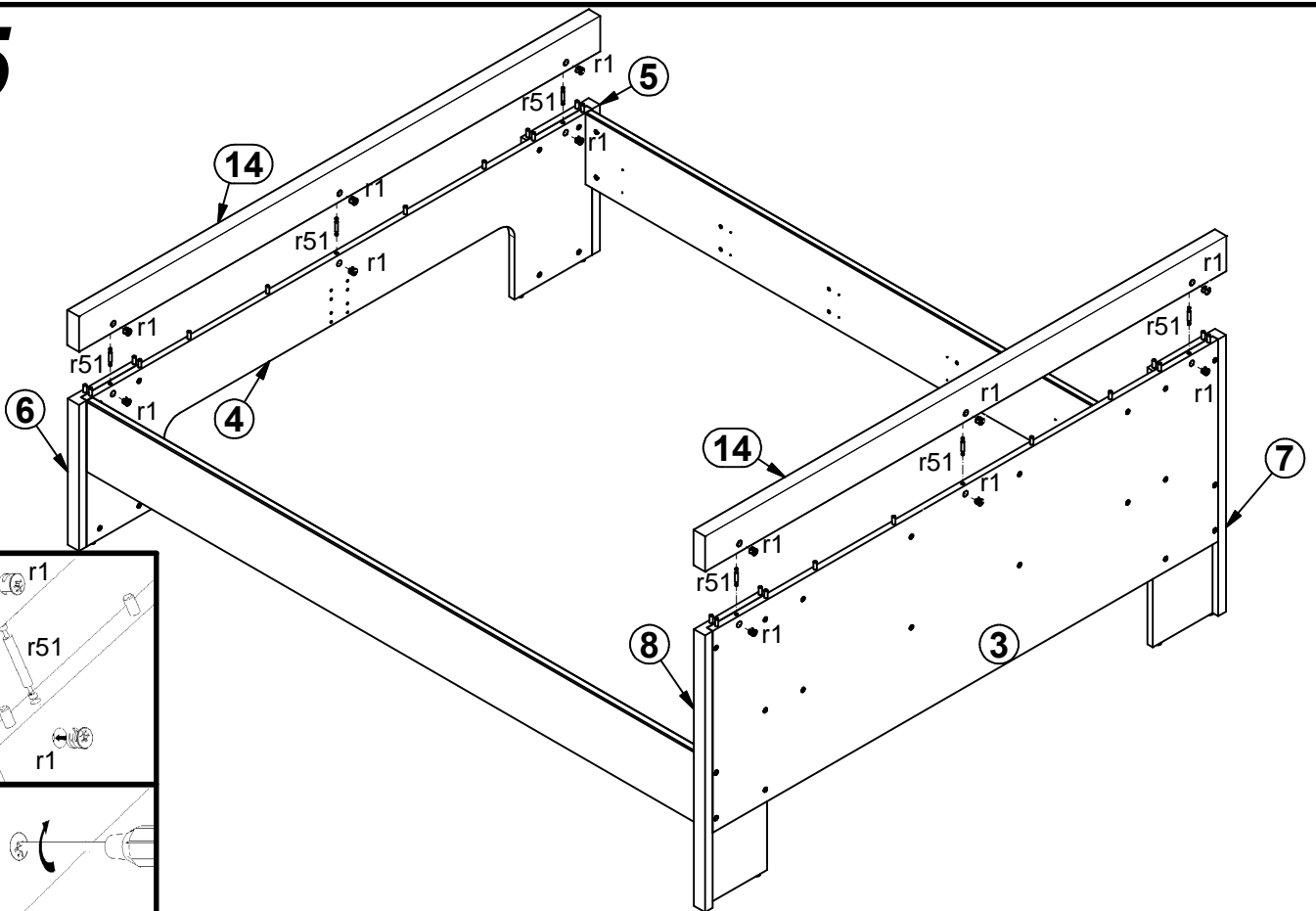
**3**



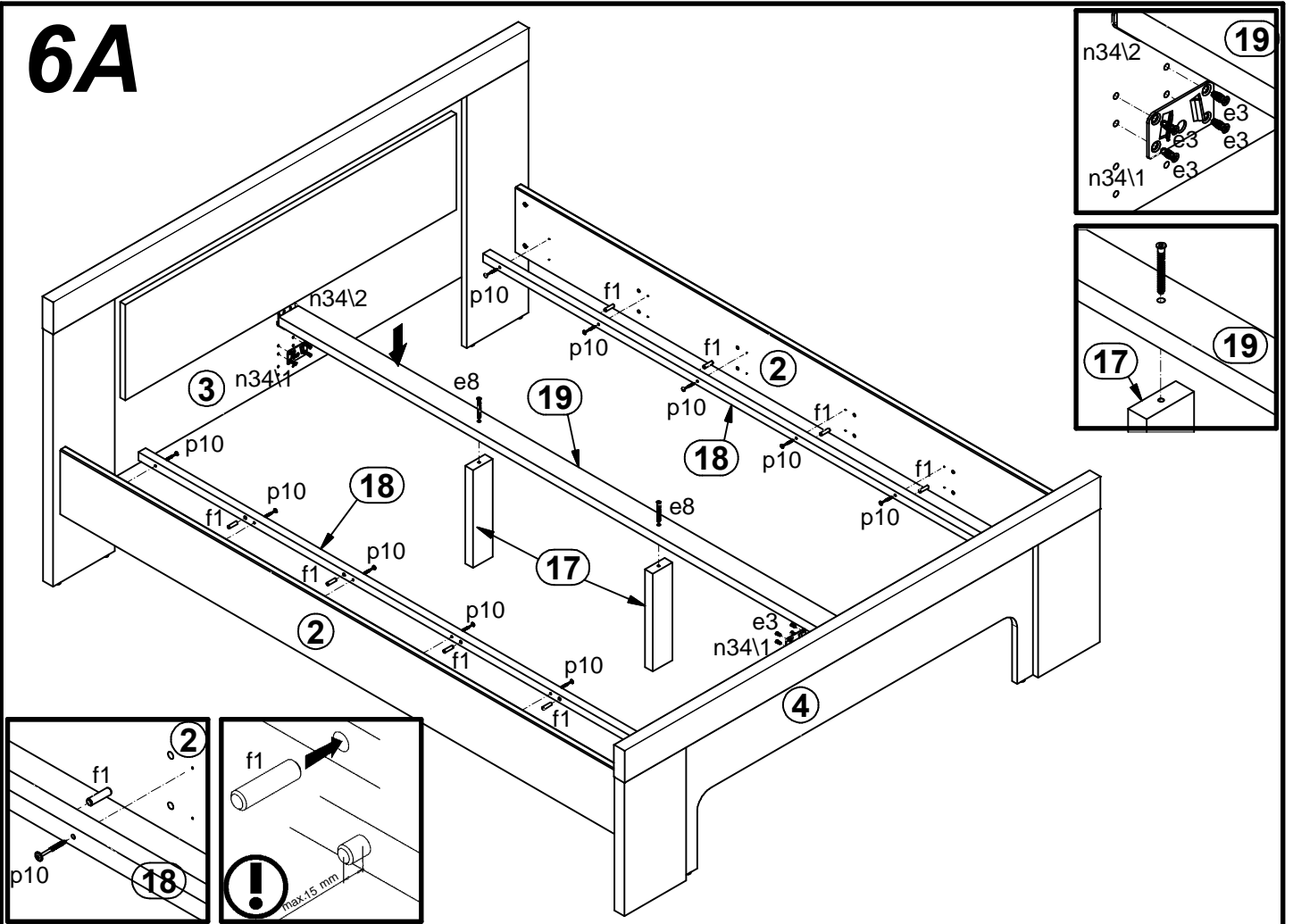
# 4



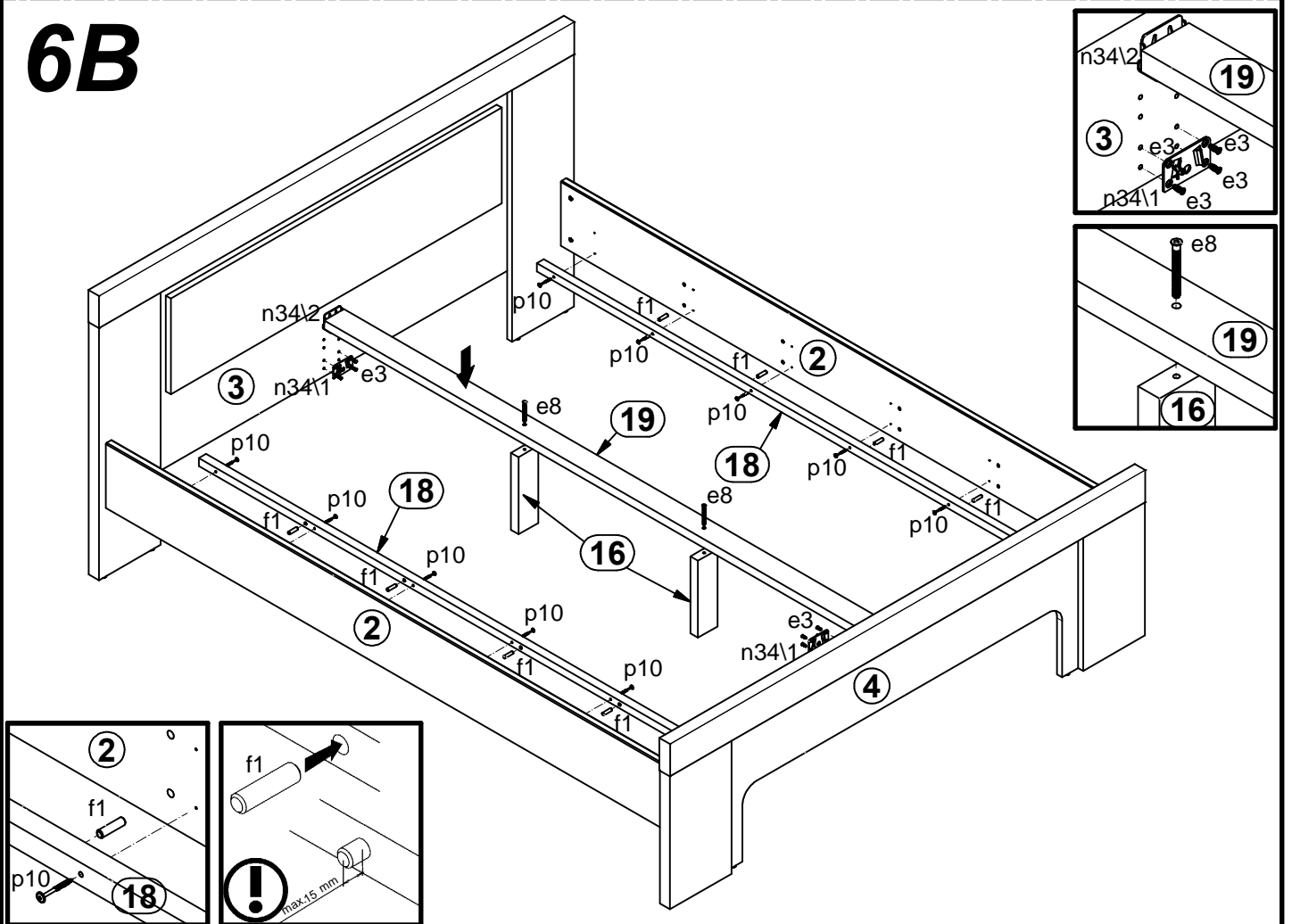
# 5



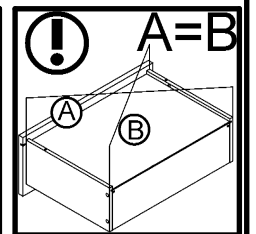
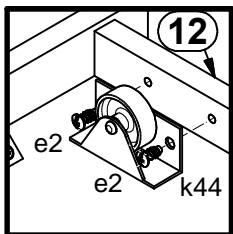
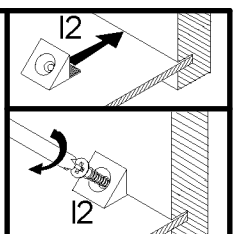
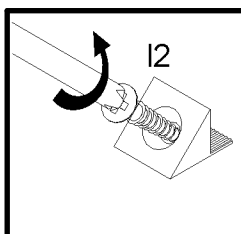
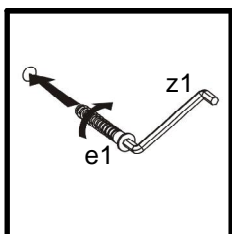
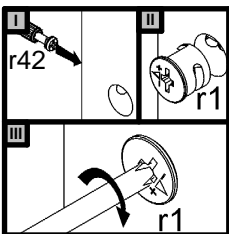
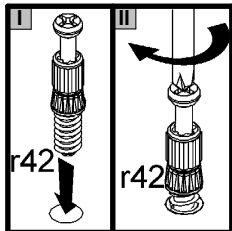
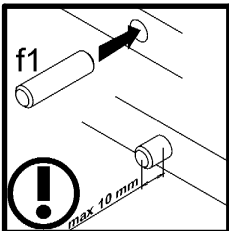
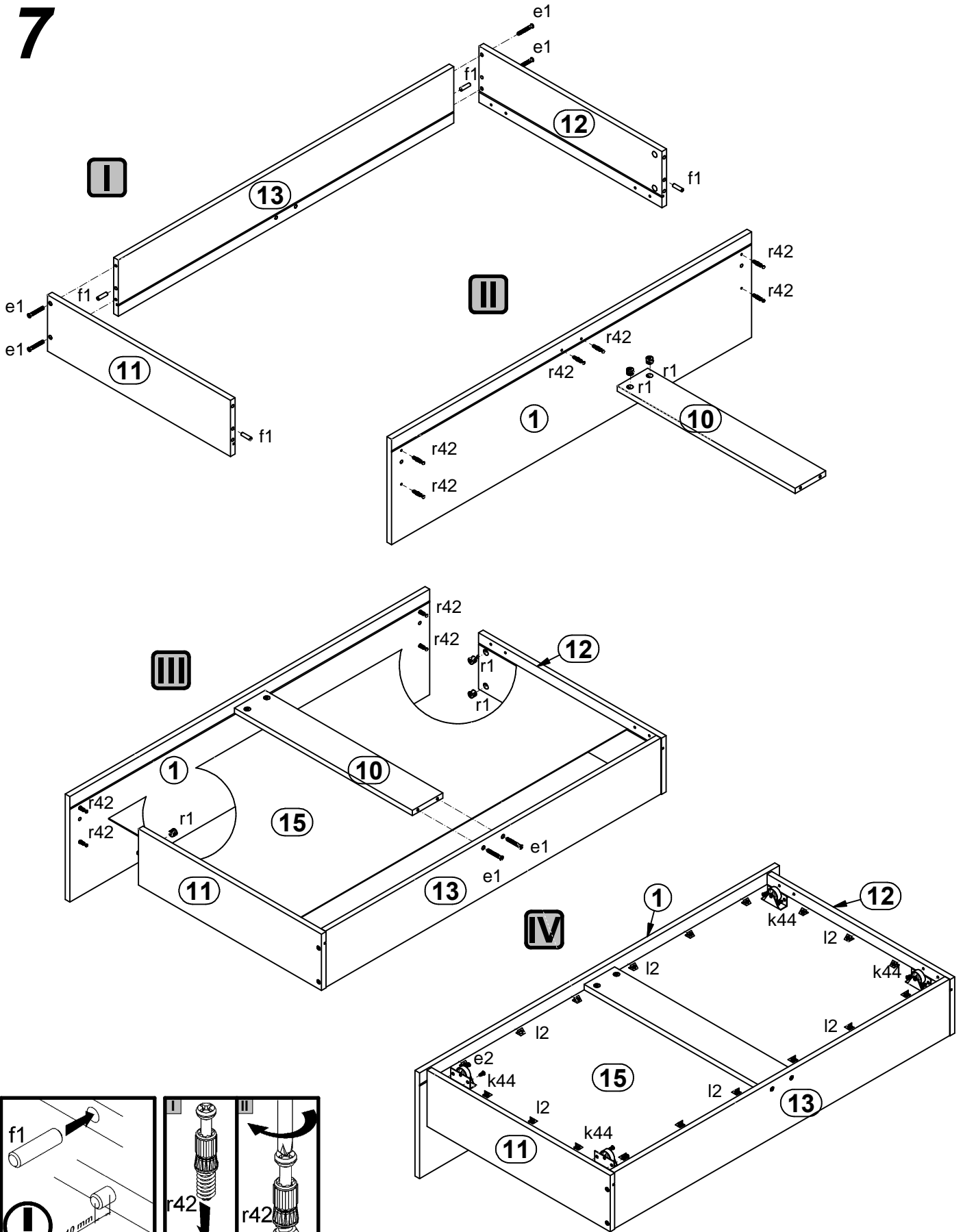
# 6A



# 6B



# 7



8

