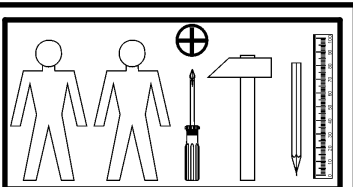
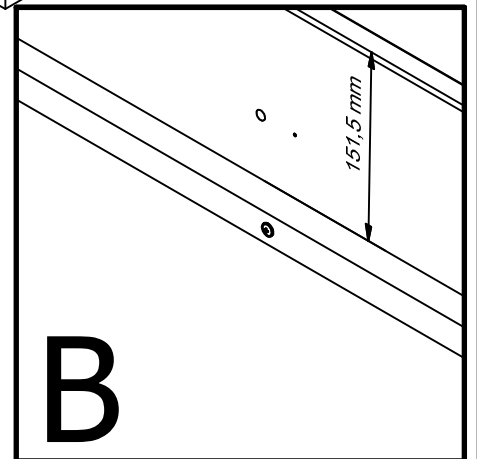
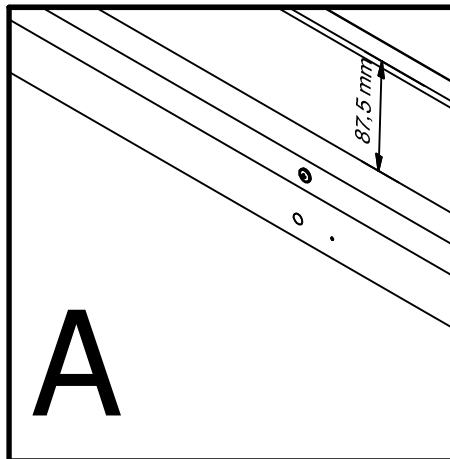
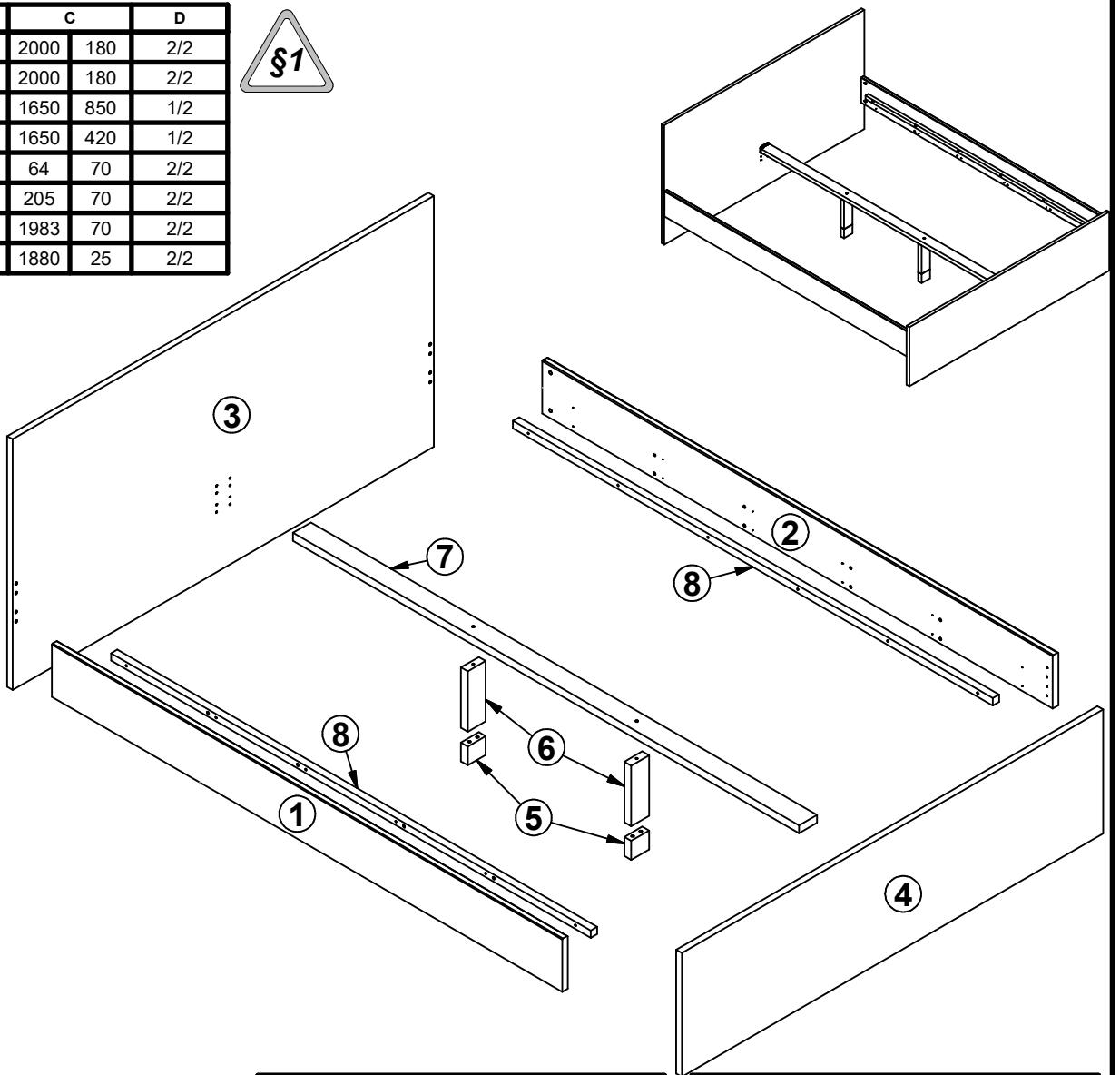


A

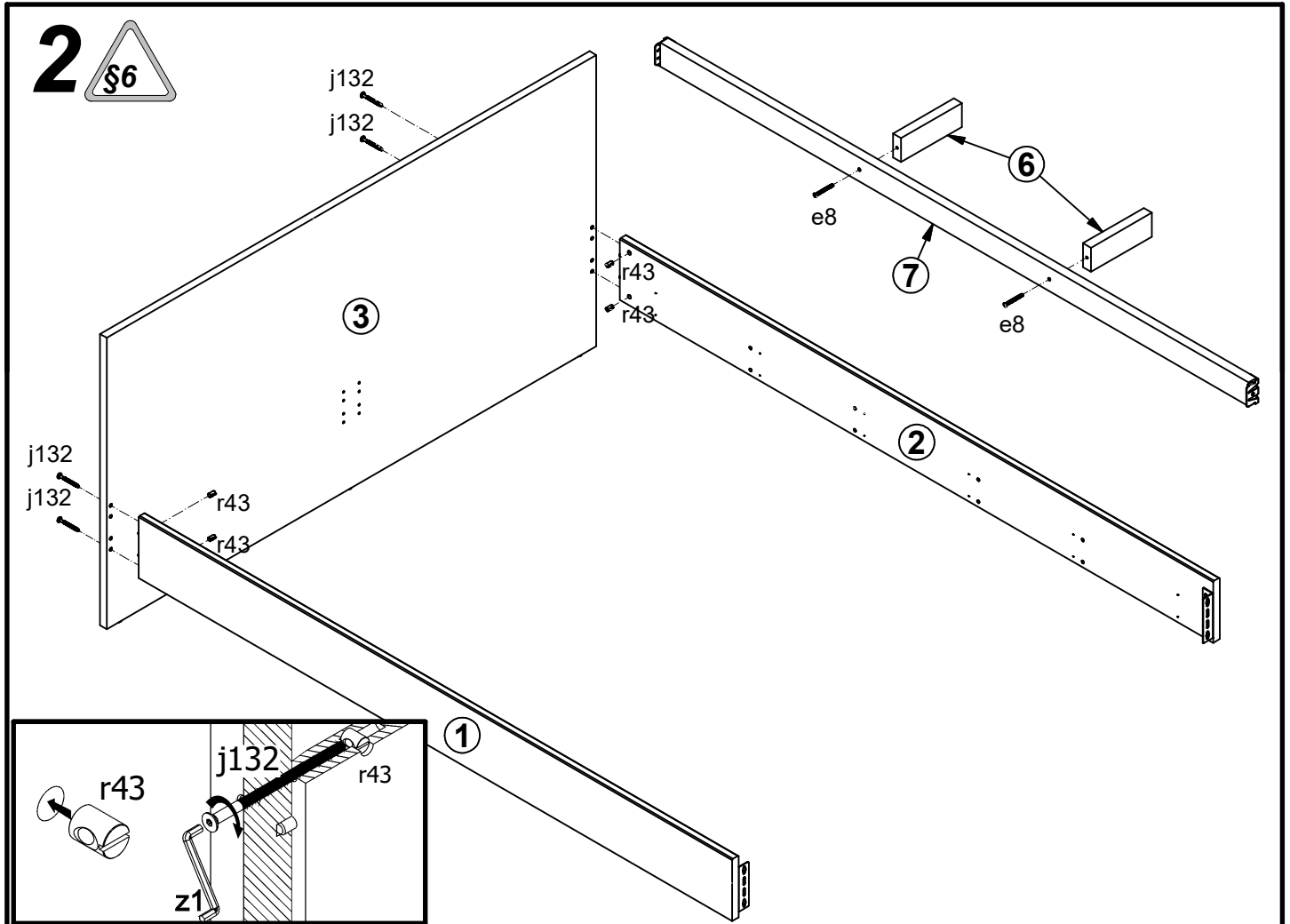
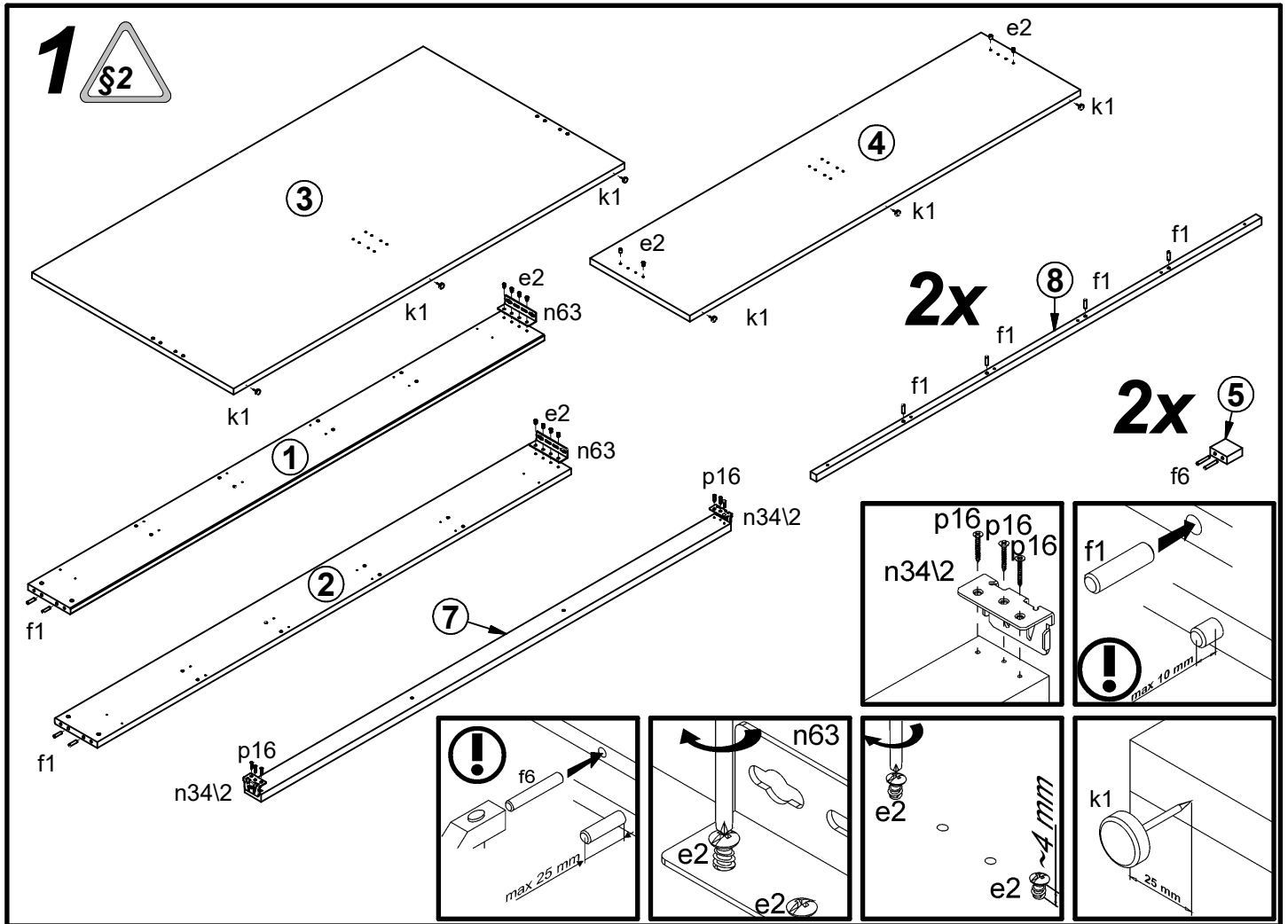
ZELE

S383-LOZ/160

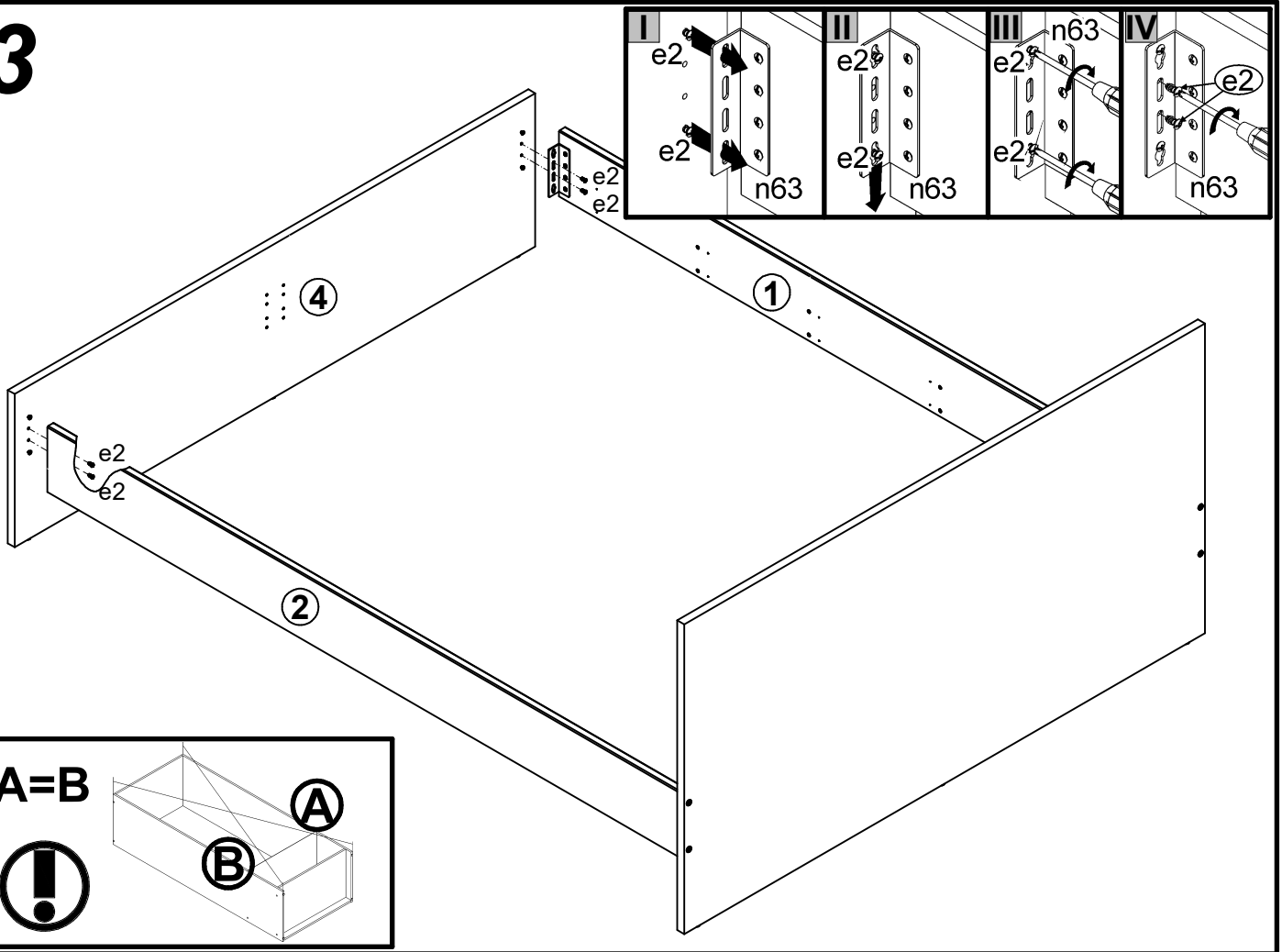
A	B	C	D	
1	S382-4003	2000	180	2/2
2	S382-4004	2000	180	2/2
3	S383-4005	1650	850	1/2
4	S383-4006	1650	420	1/2
5	ZZ1-431	64	70	2/2
6	ZZ1-459	205	70	2/2
7	ZZ1-719	1983	70	2/2
8	ZZ1-747	1880	25	2/2



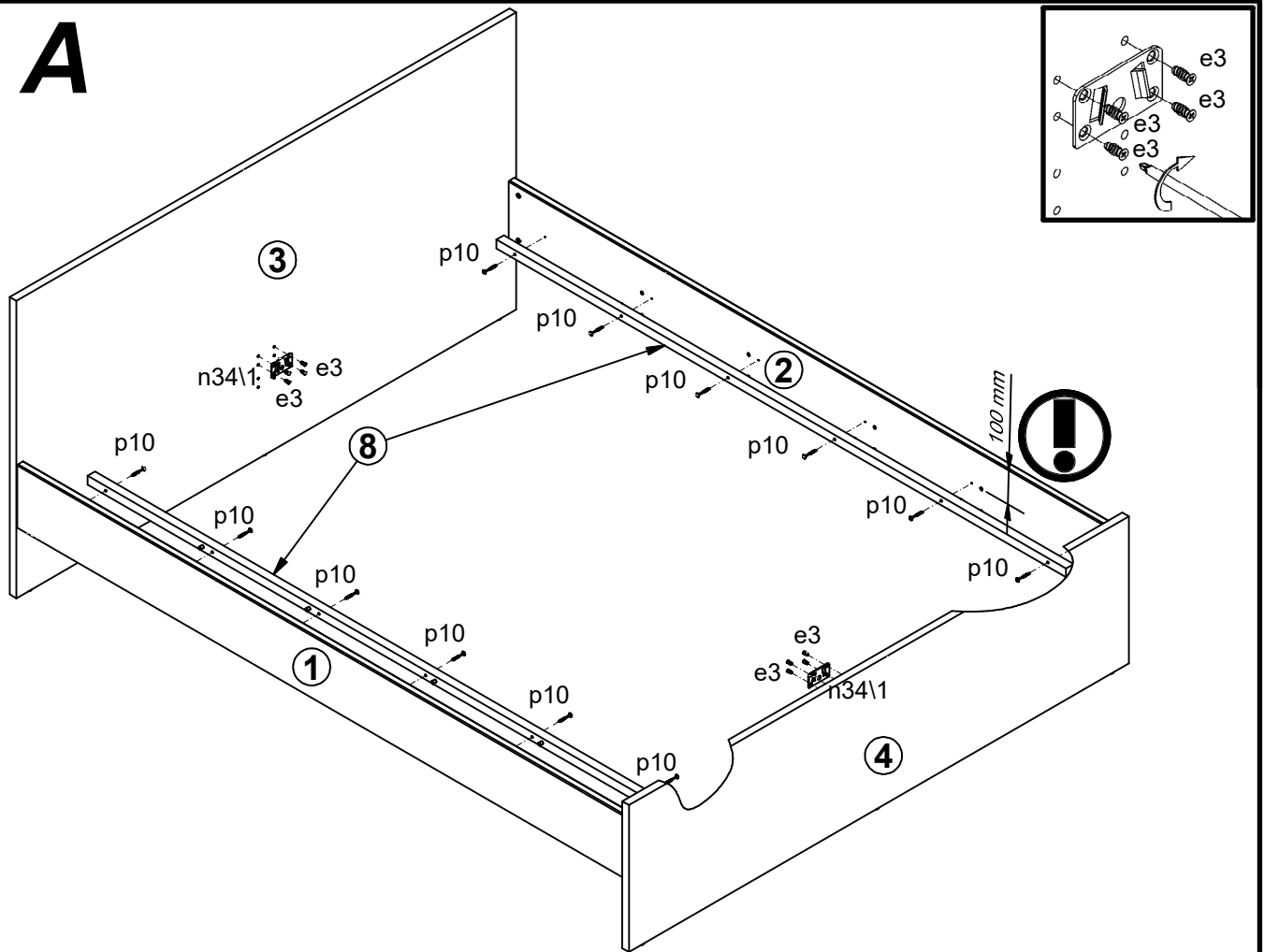
16x Ø6.3x13 mm e2	8x Ø6x13 mm e3	2x Ø7x60 mm e8	12x Ø8x30 mm f1	4x Ø8x50 mm f6	4x M6x65 mm j132	6x k1	2x n34 1	2x n34 2
2x 130x34x34 2 mm n63	12x Ø4x40 mm p10	6x Ø3.5x25 mm p16	6x Ø4x35 mm p6	4x Ø10x16 mm r43	1x 4 mm z1			



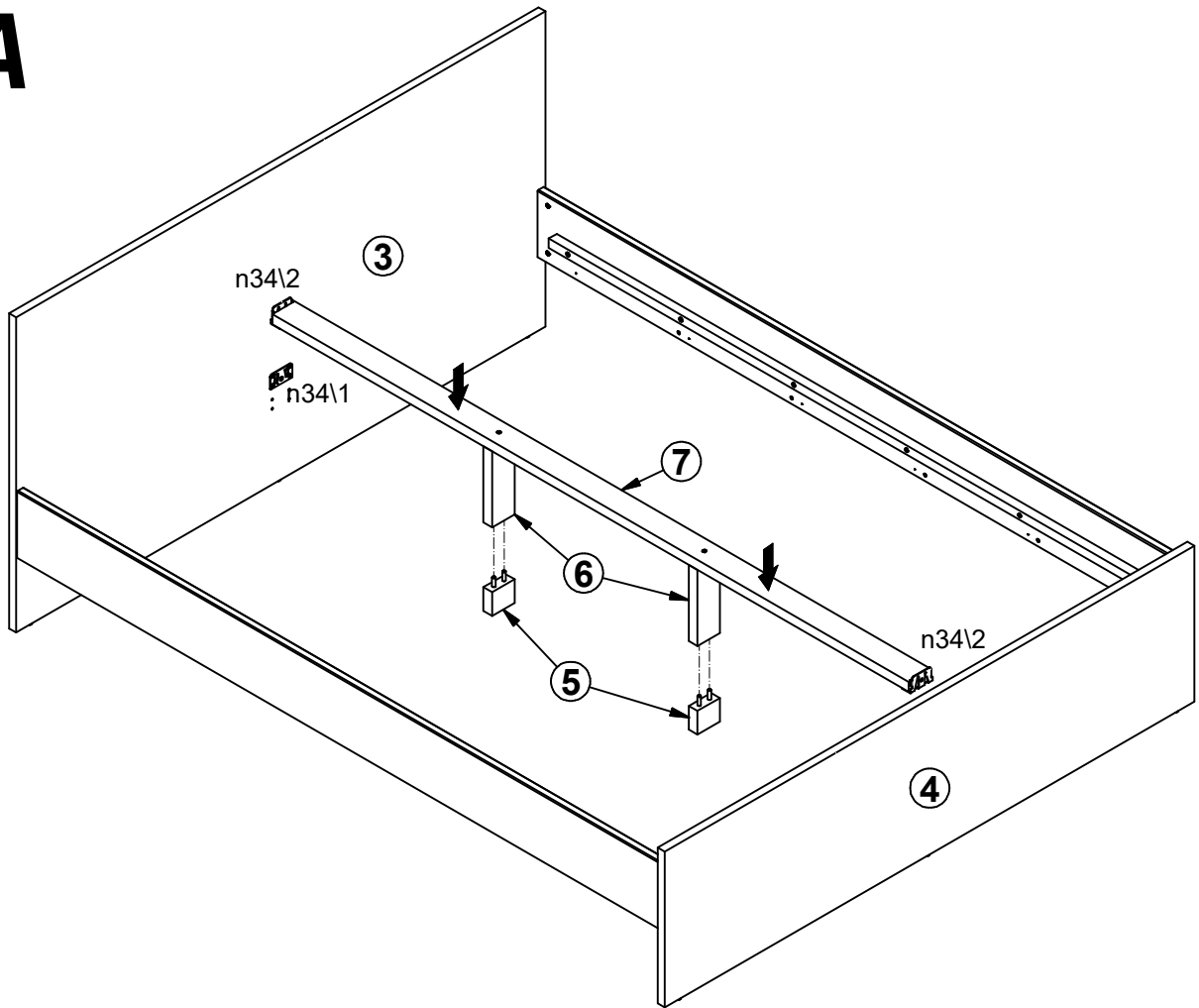
3



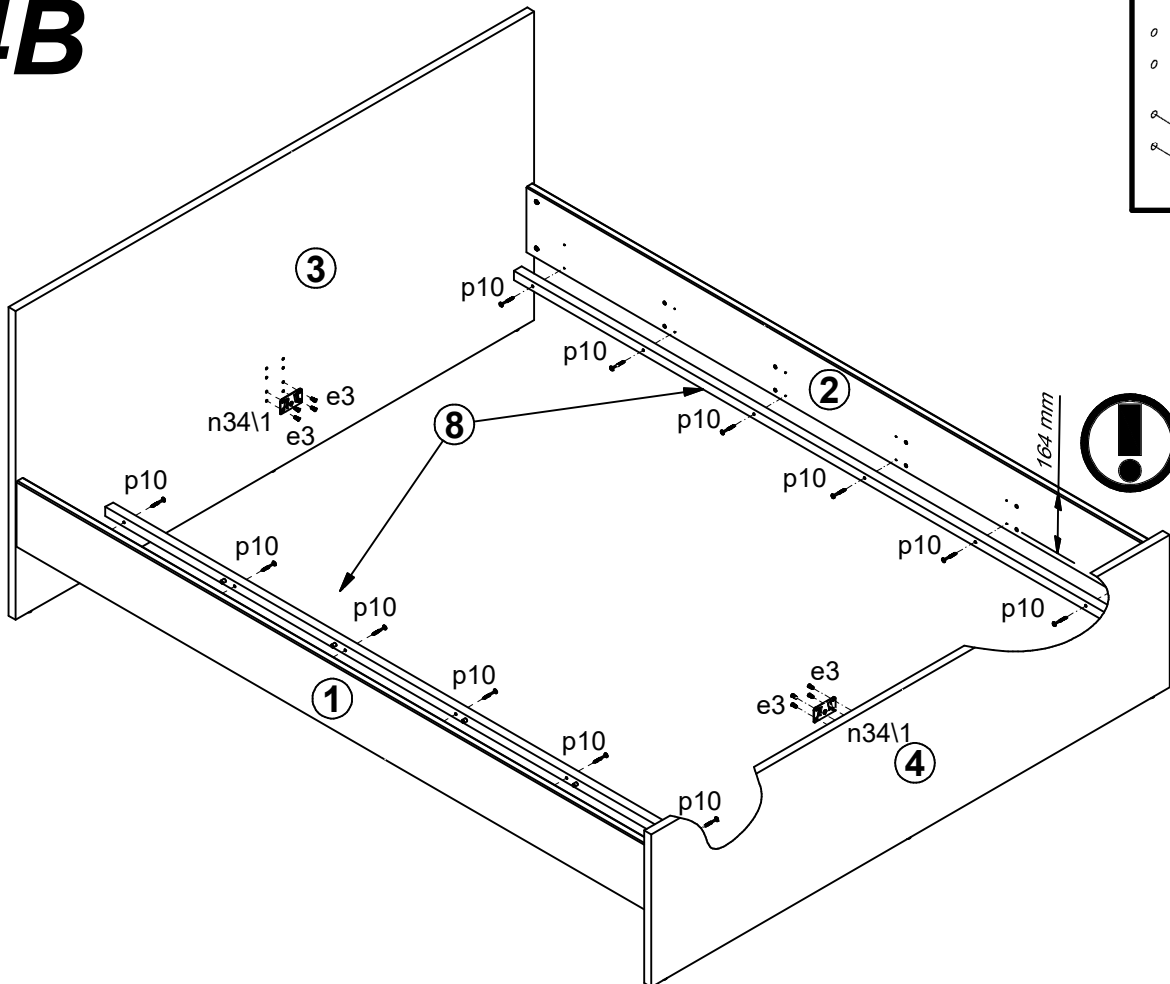
4 A



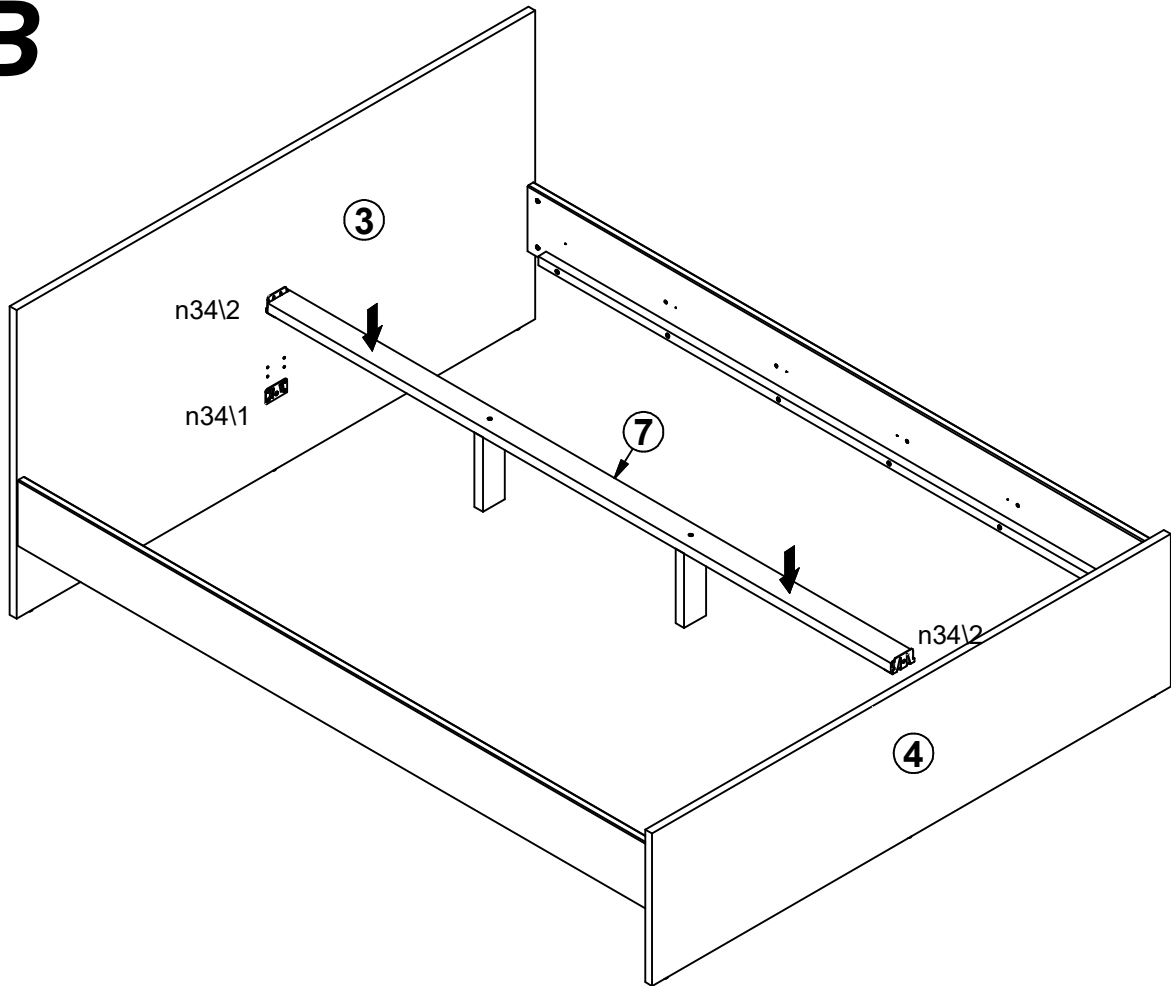
5A



4B



5B



6

