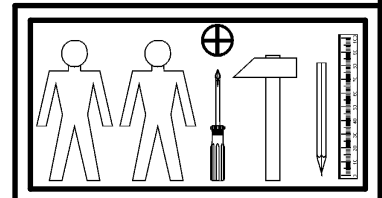
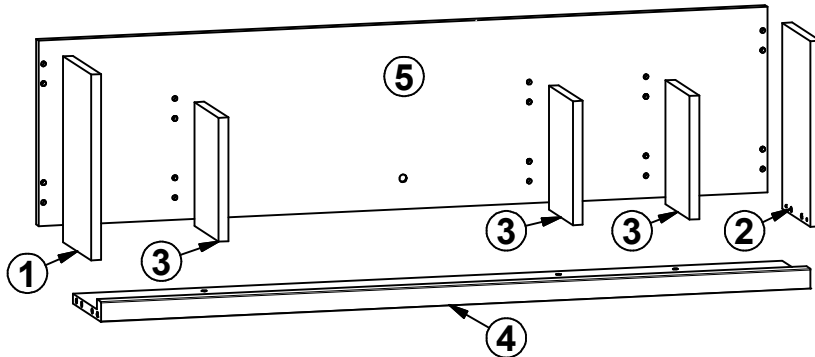
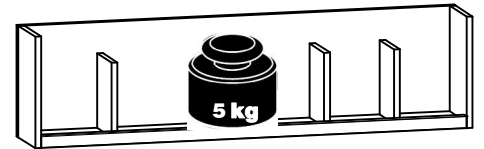


A

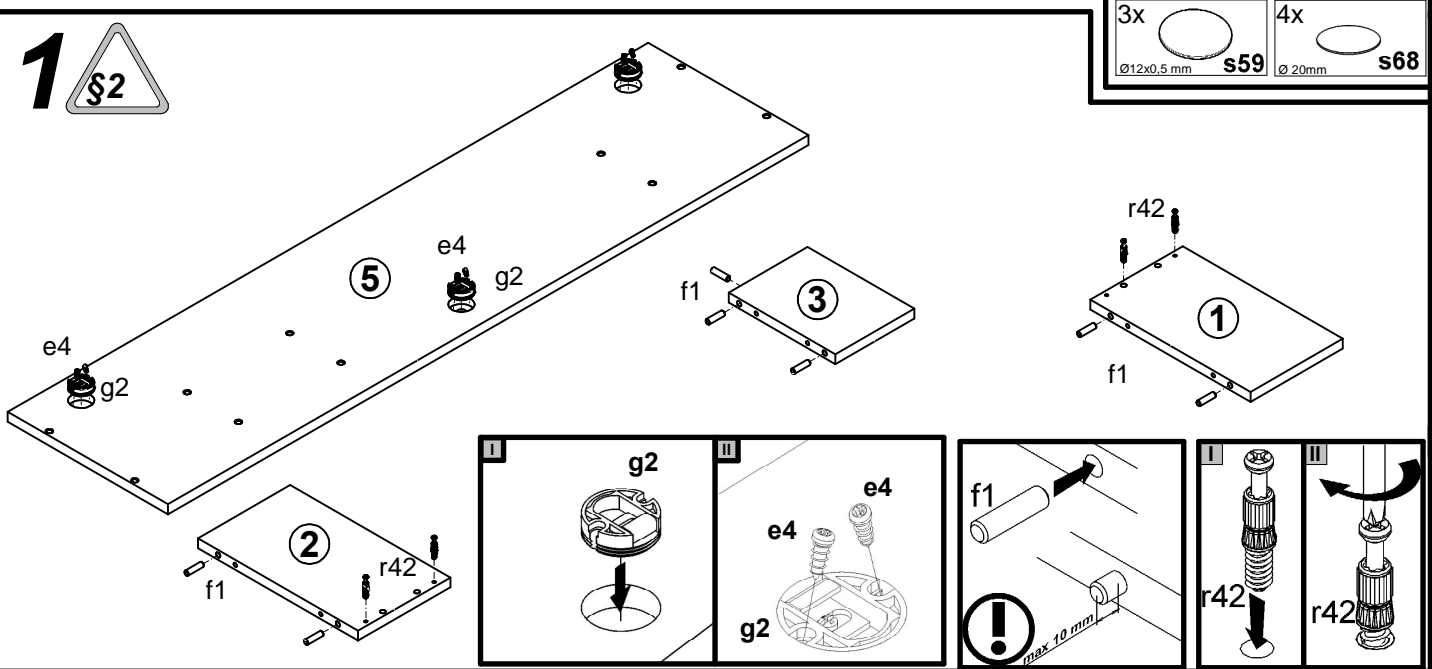
MODAI

S373-NAD/12/3

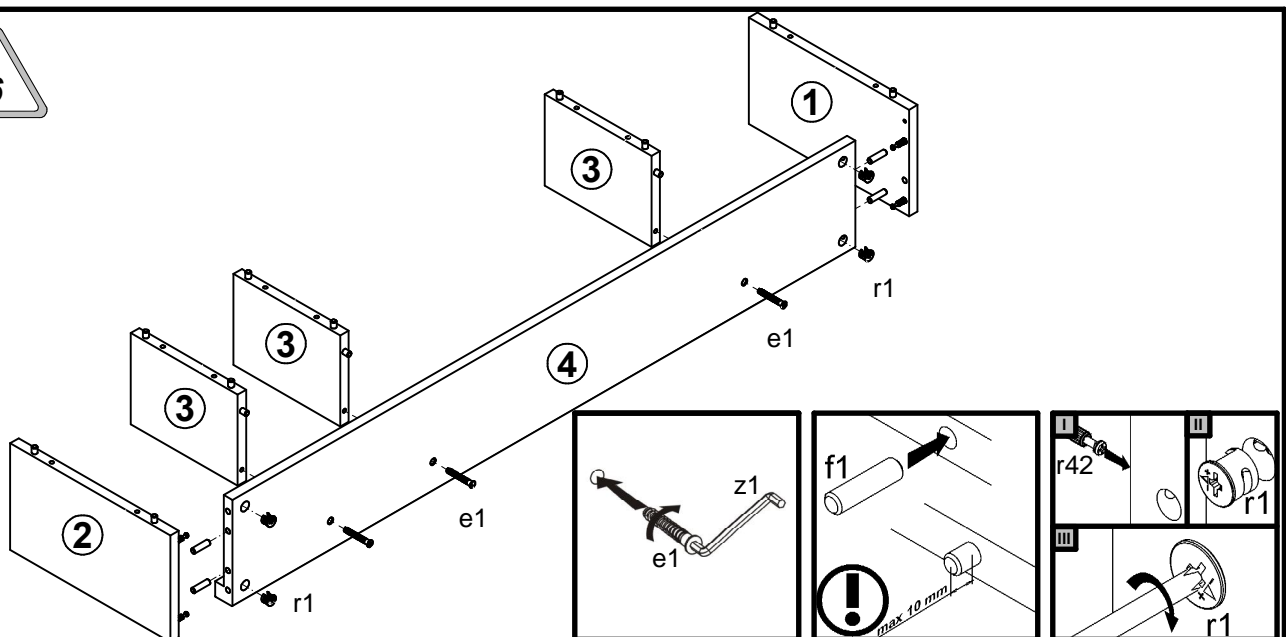
A	B	C	D	
1	S373-1015	300	173	1/1
2	S373-1016	300	173	1/1
3	S373-1017	200	148	1/1
4	S373-3003	1167	173	1/1
5	S373-4002	1199	300	1/1



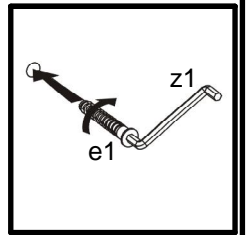
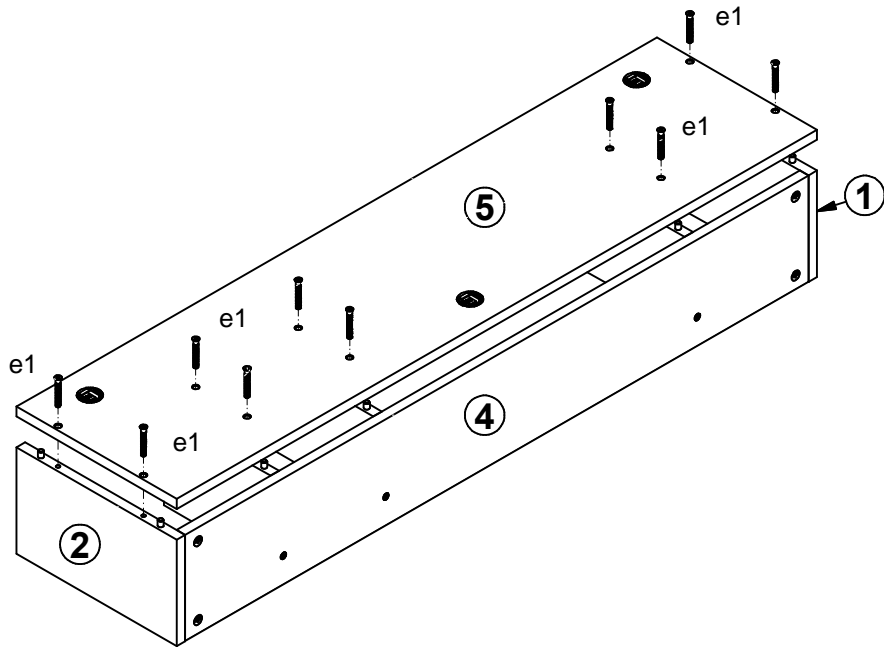
1 §2



2 §6



3



4

