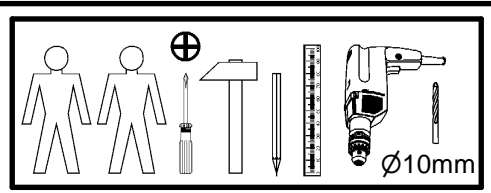
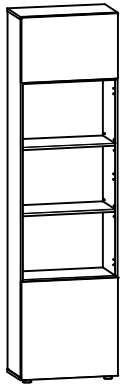
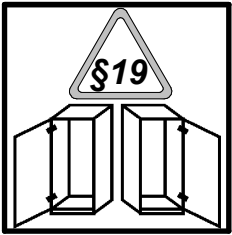
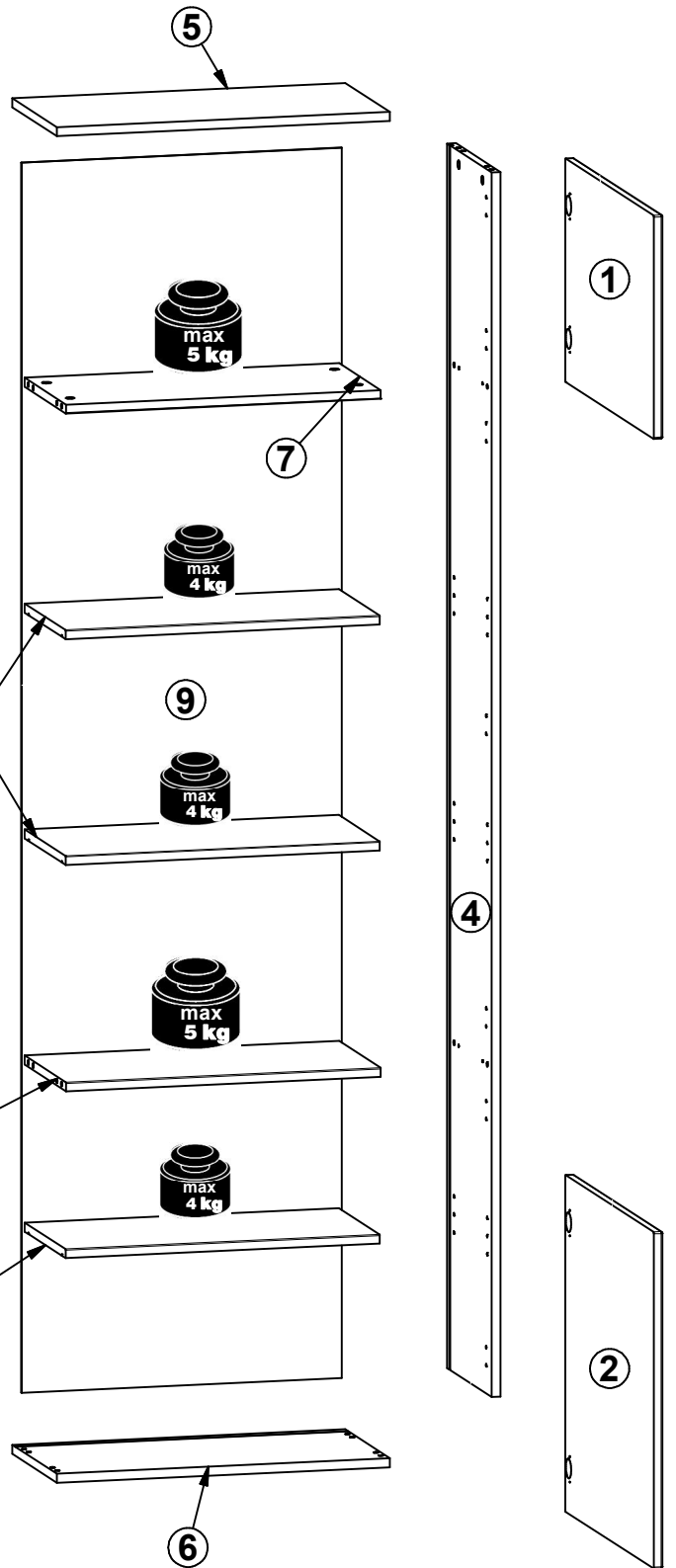
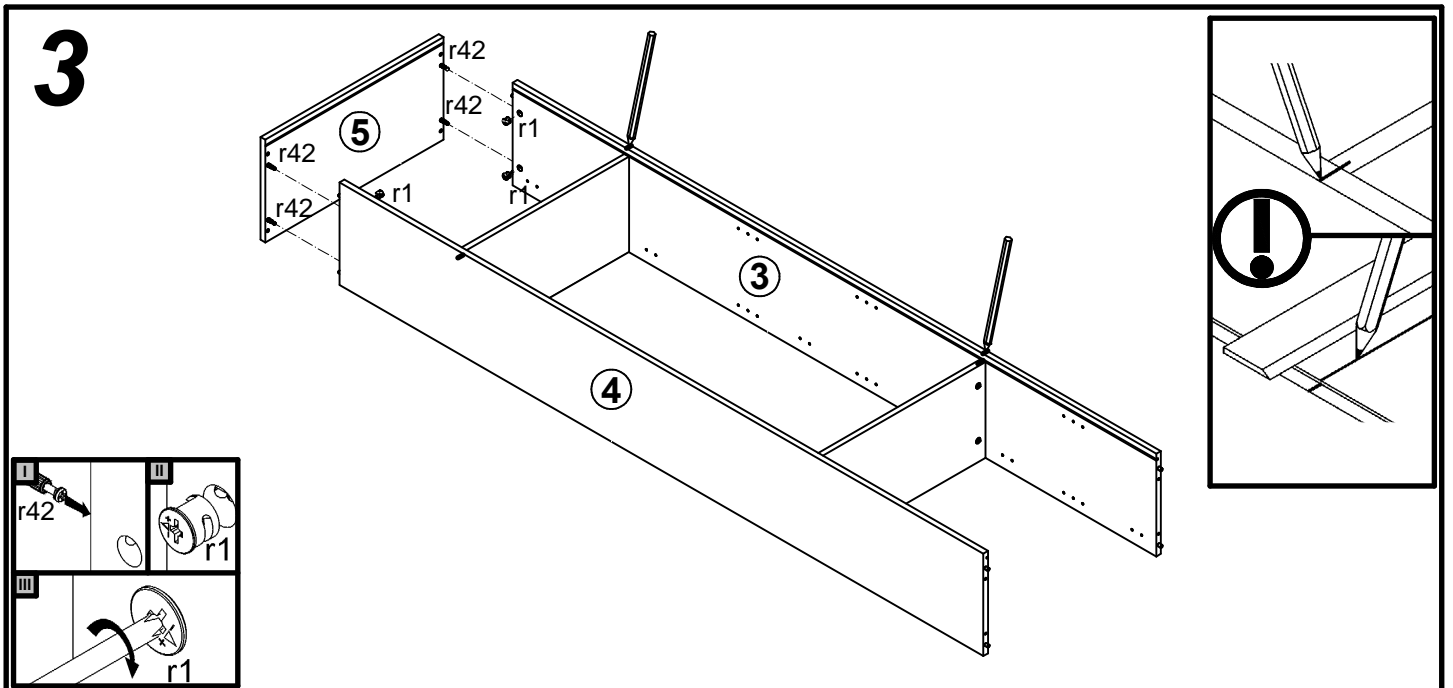
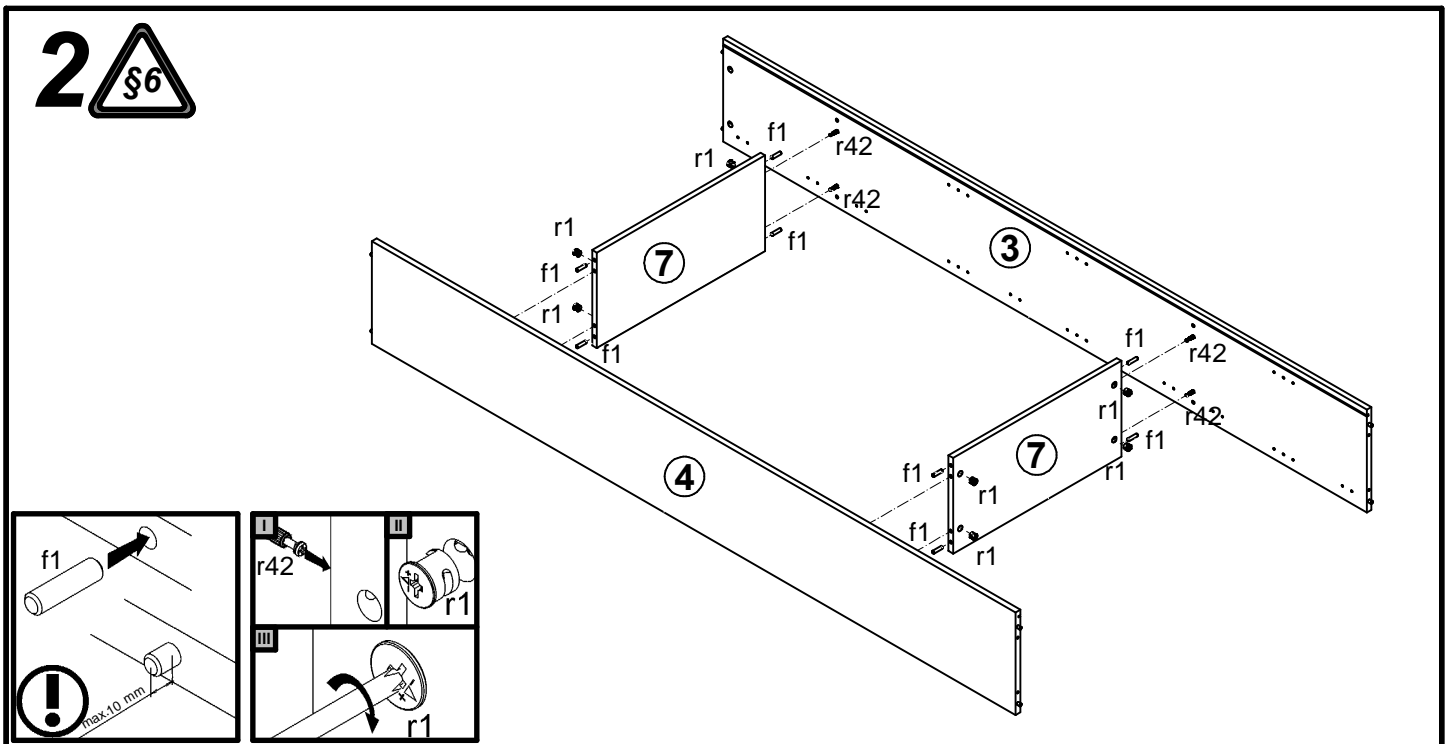
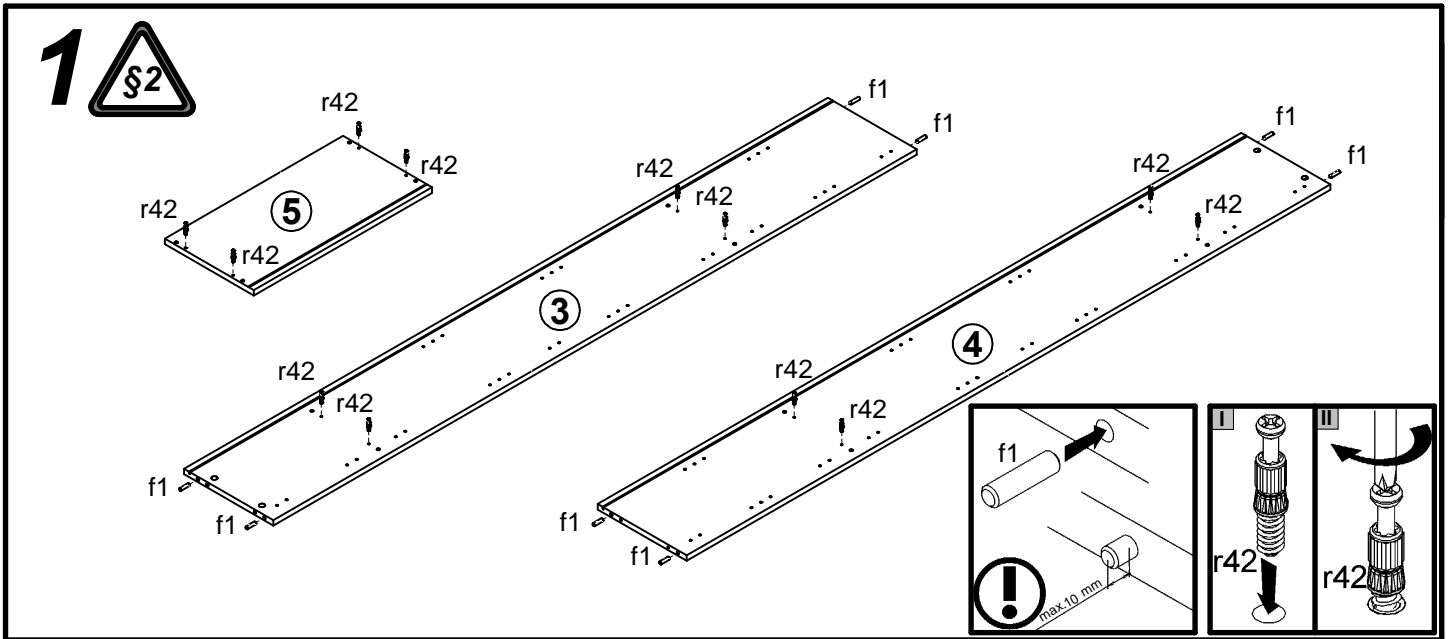


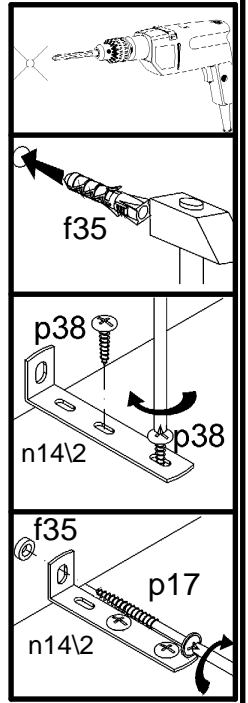
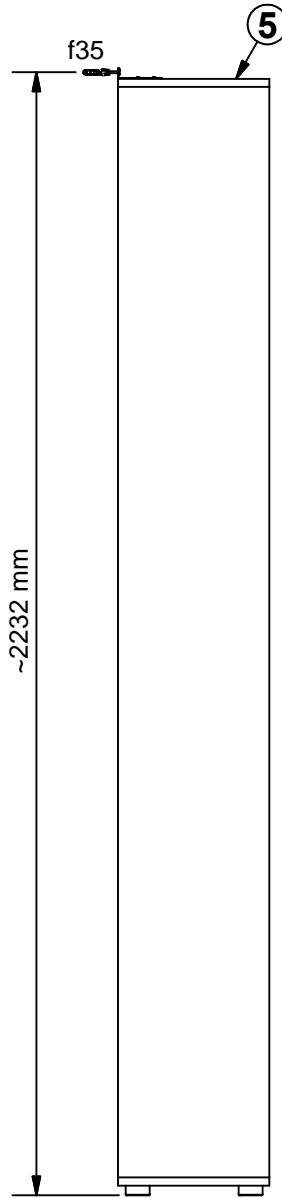
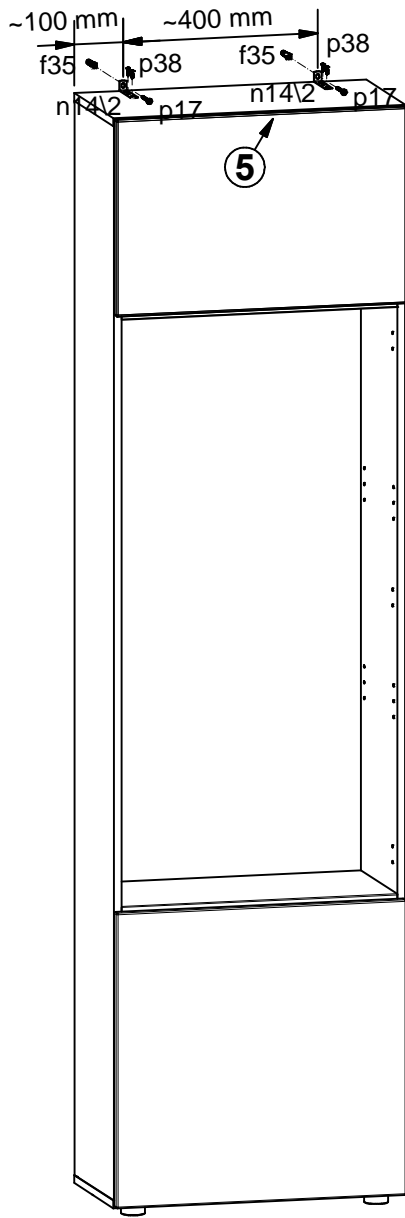
A	B	C	D
1	S371-0002	596	396 3/3
2	S371-0020	596	596 3/3
3	S371-1026	2168	300 1/3
4	S371-1027	2168	300 1/3
5	S371-2016	600	300 1/3
6	S371-2017	600	300 1/3
7	S371-3009	567	280 1/3
8	S371-3010	566	275 1/3
9	S371-9022	2178	577 1/3



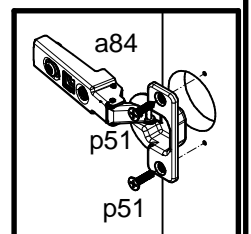
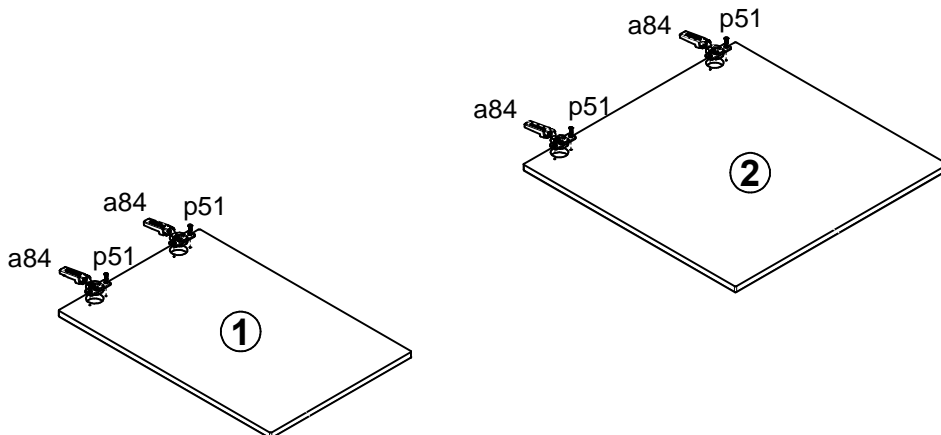
4x a84	4x b31	12x Ø5x17 mm d1	4x Ø7x50 mm e1	16x Ø8x30 mm f1	2x f23	2x Ø10x50 mm f35	4x k27	15x l1		
16x i2	2x 86x21x15/1,5 n14	2x Ø5x60 mm p17	4x Ø3,5x16 mm p38	8x Ø3,5x15 mm p51	12x Ø15x12 mm #16 r1	12x 20/11 r42	2x z28/1	2x 82x9,5/6,5 mm z28/2		
2x 20x20/1,5 mm z28/3	6x Ø3x12 mm z28/4	1x 4 mm z1	8x Ø 20 mm s68							



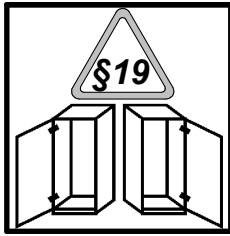
6



7

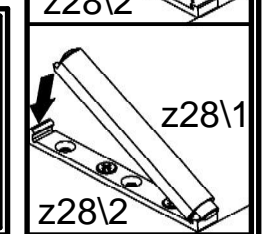
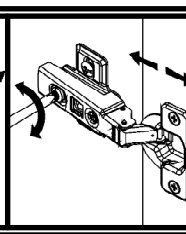
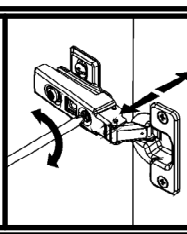
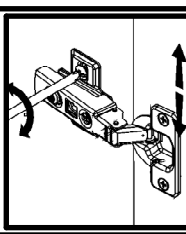
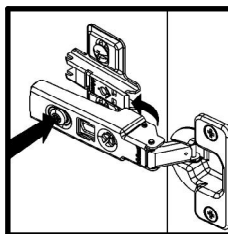
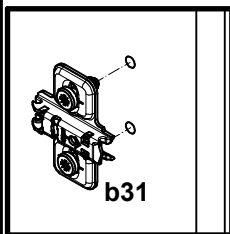
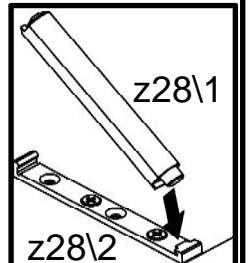
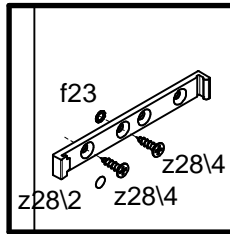
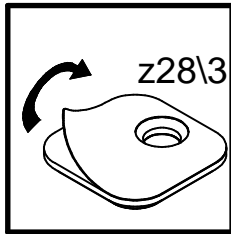
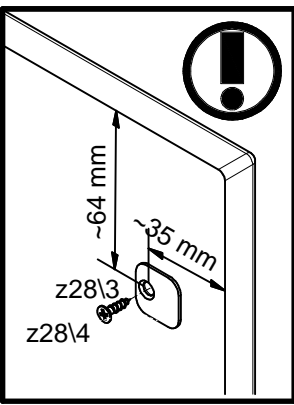
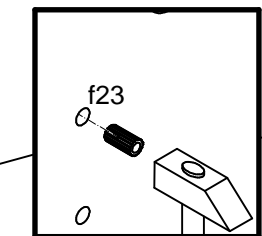
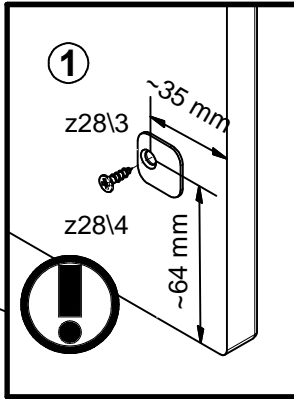
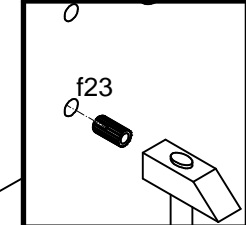
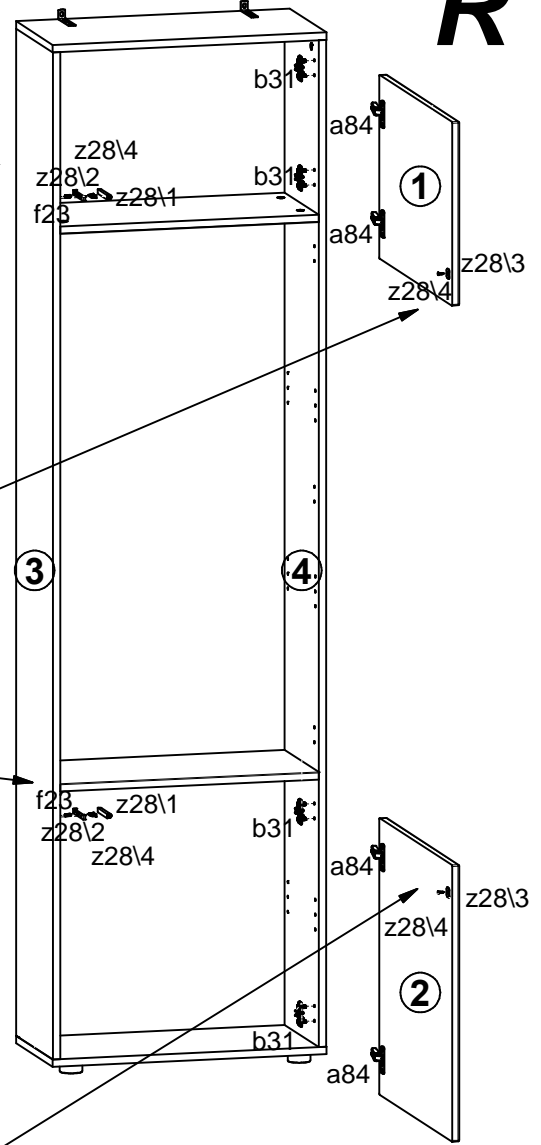
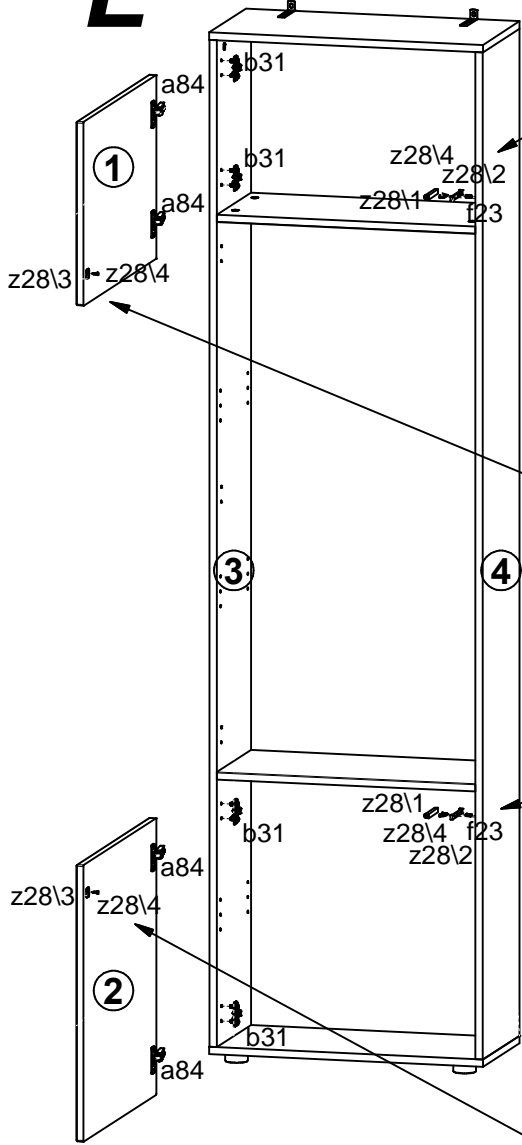


8



L

R



9

