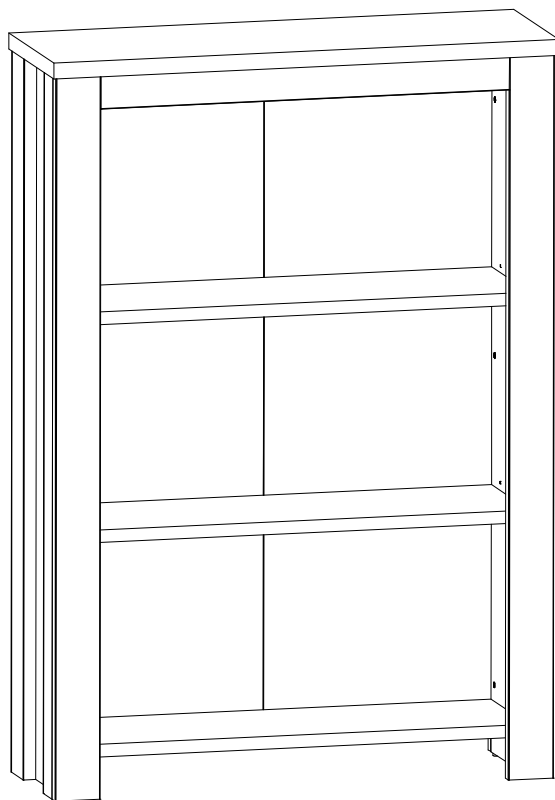
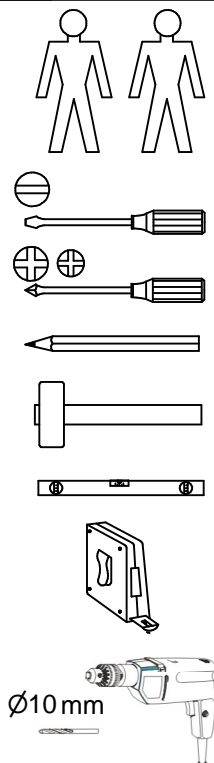
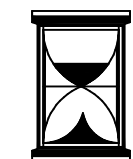
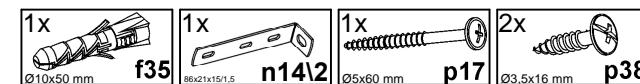
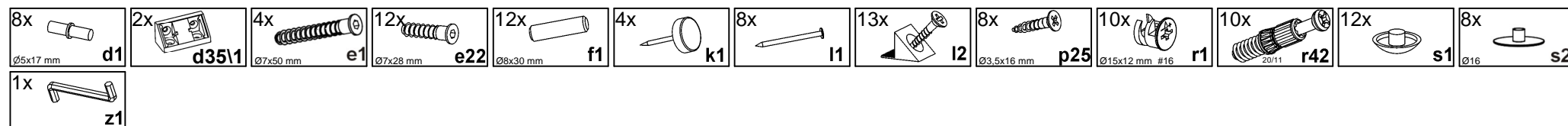


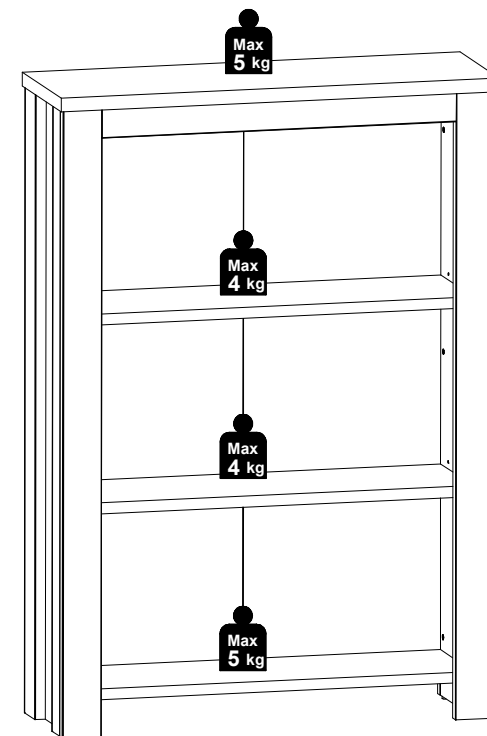
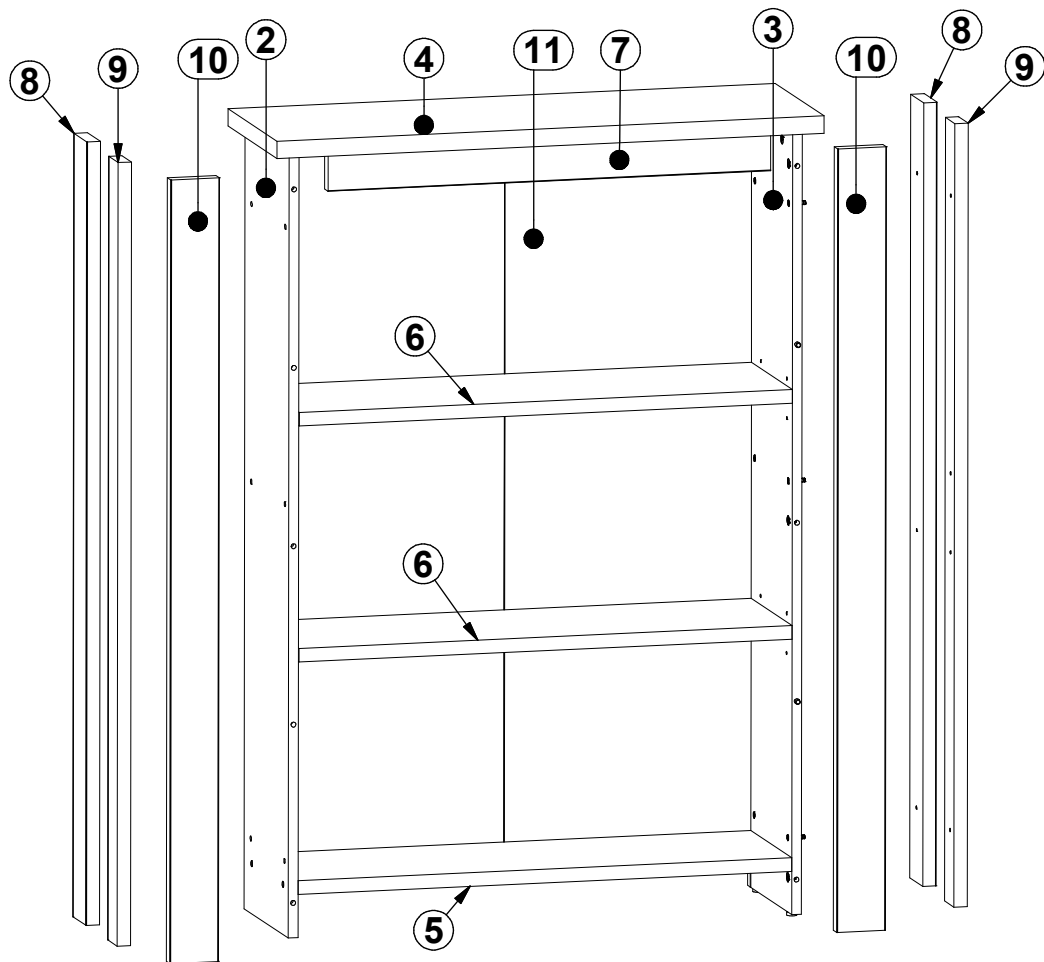
**A****S256-REG/13/9**

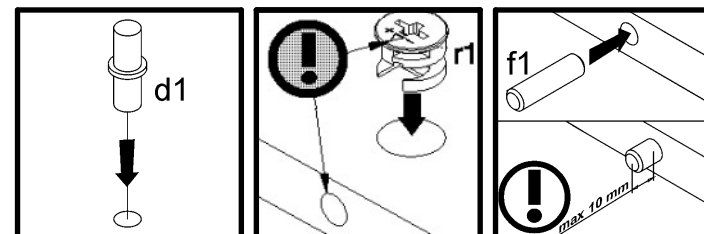
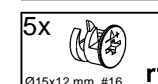
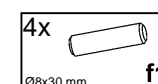
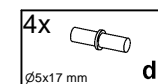
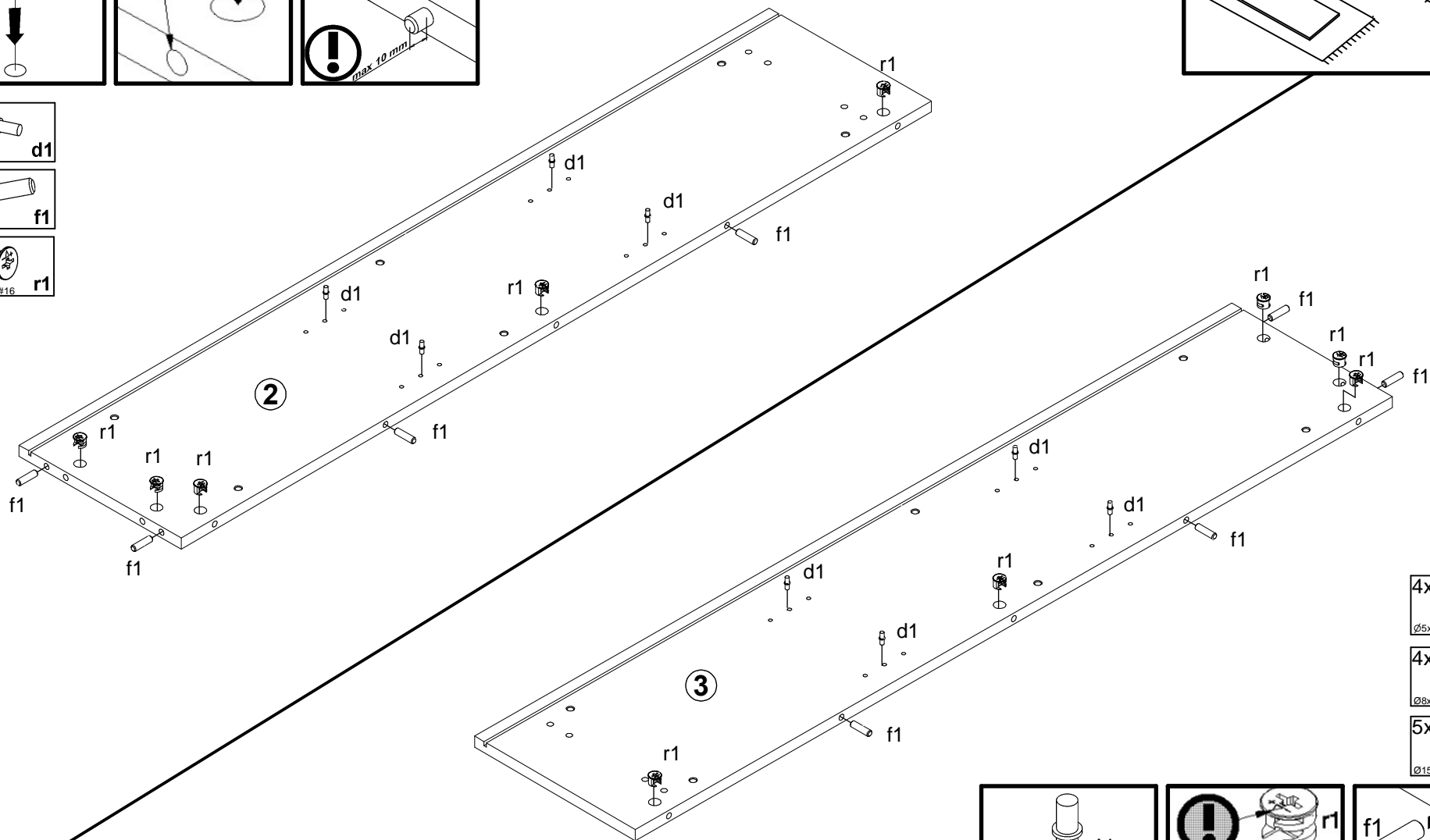
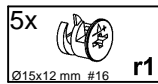
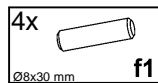
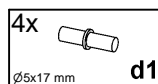
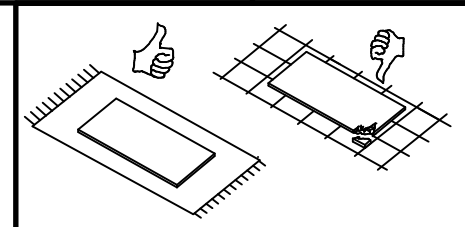
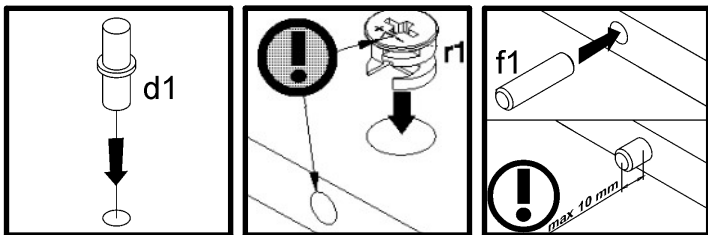
2 / 10

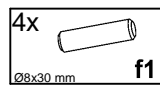
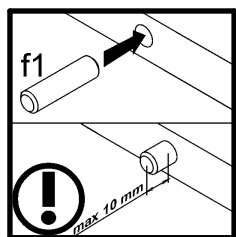


A	B	C (mm)		D
2	S256-161	1265	271	2/2
3	S256-162	1265	271	2/2
4	S256-218	900	300	1/2
5	S256-353	812	251	1/2
6	S256-354	811	251	1/2
7	S256-5556	728,	58,	1/2
8	S256-5557	1265	80	2/2
9	S256-5558	1265	58,	2/2
10	S256-5559	1265	80	2/2
11	S256-9908	1198	823,	2/2

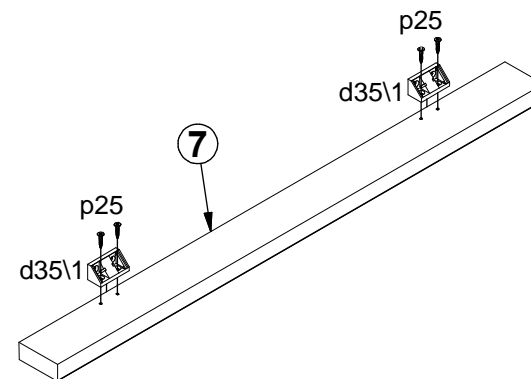
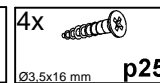
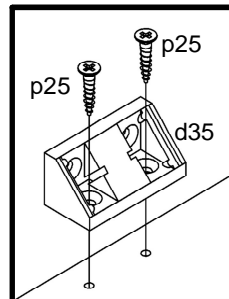
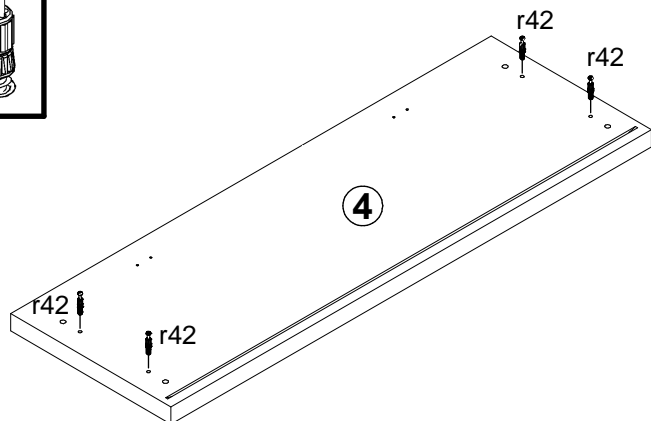
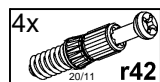
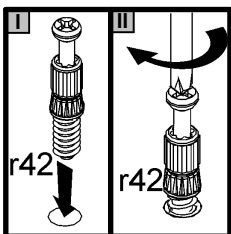
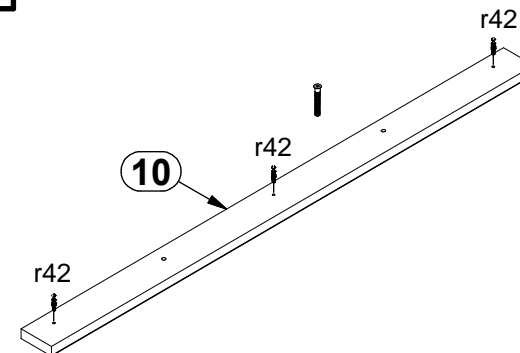
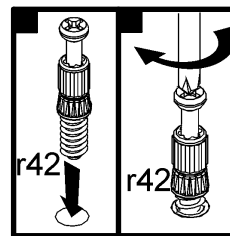
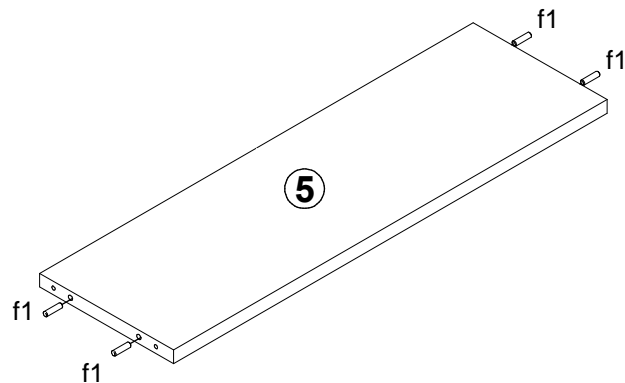
**40min**



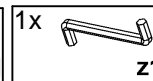
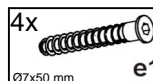
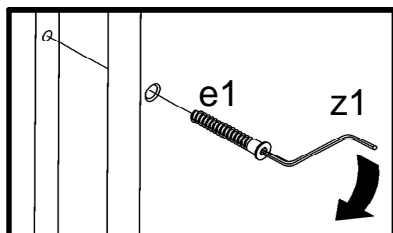
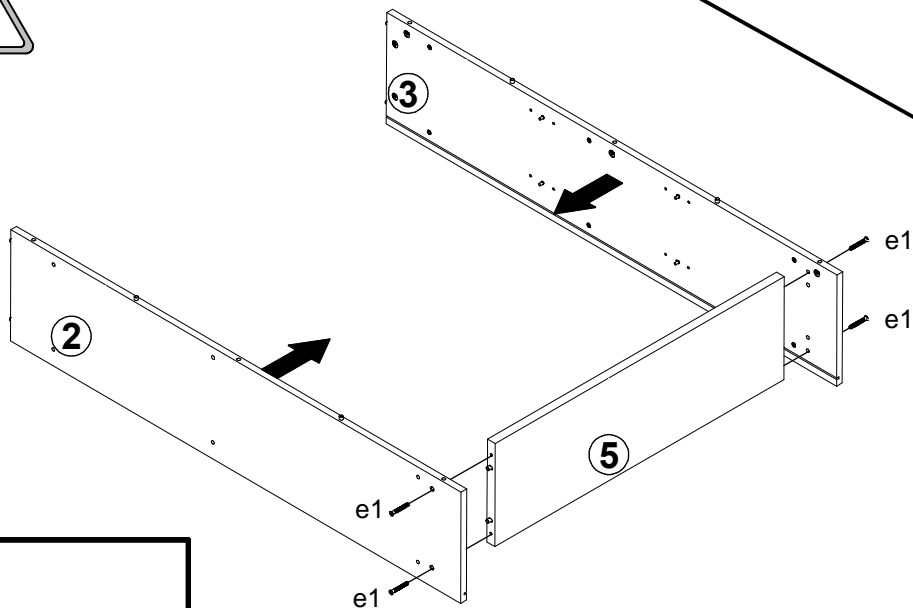
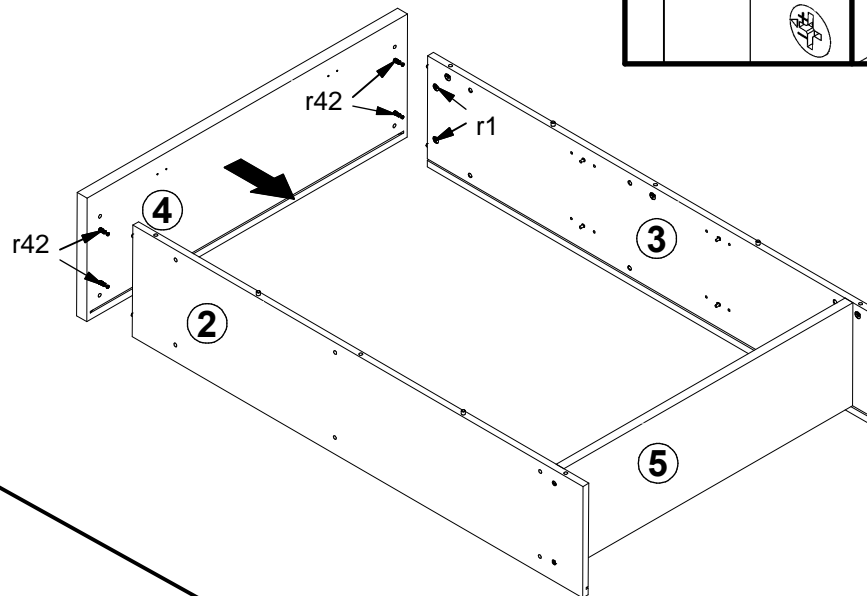
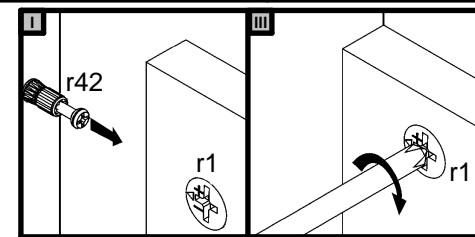


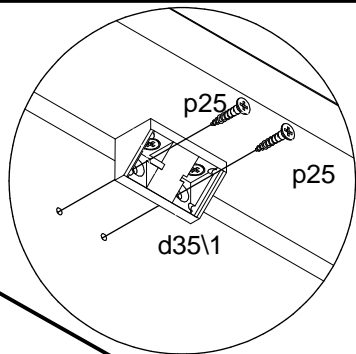


1

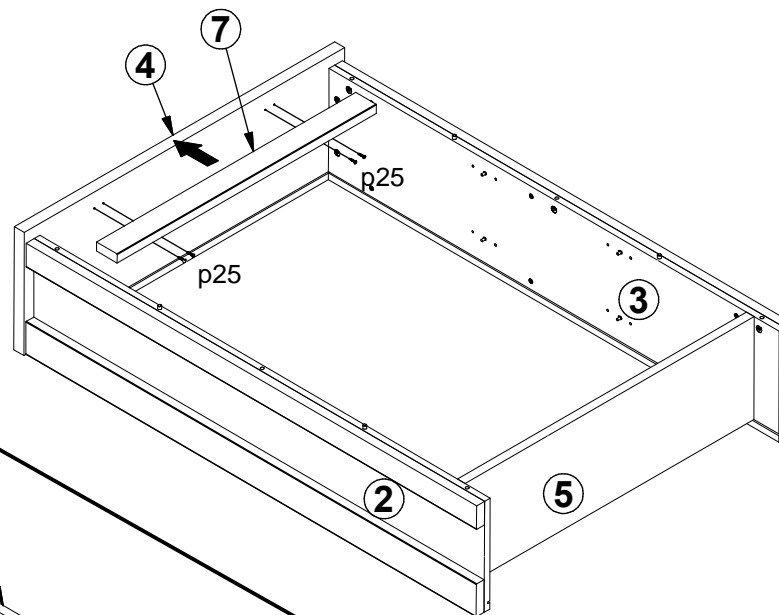
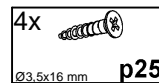


3

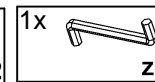
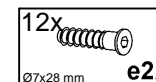
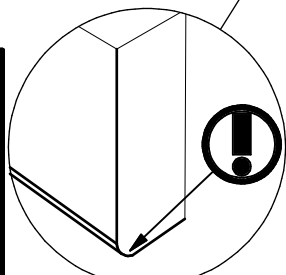
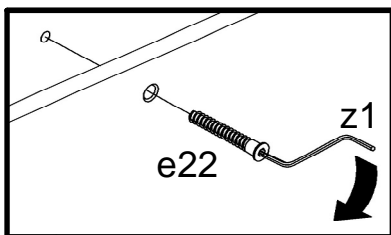
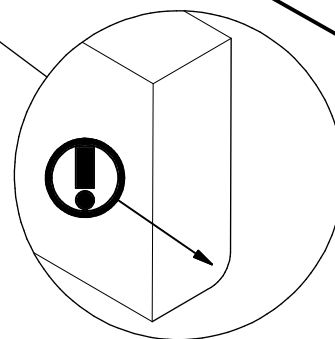
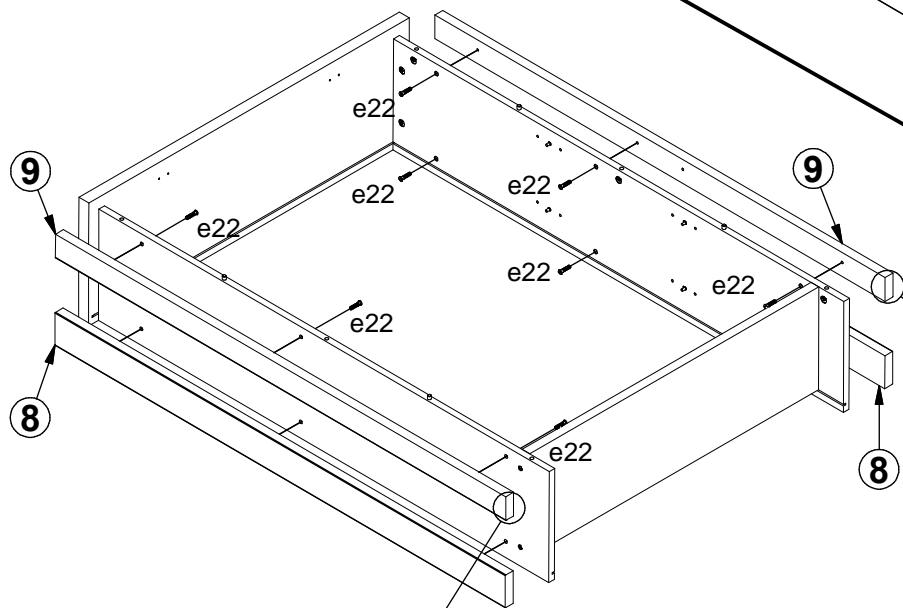


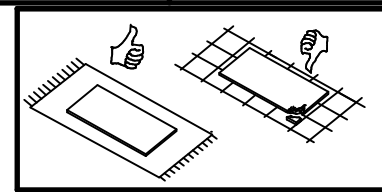


5



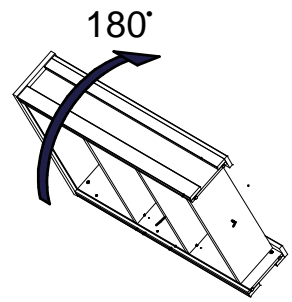
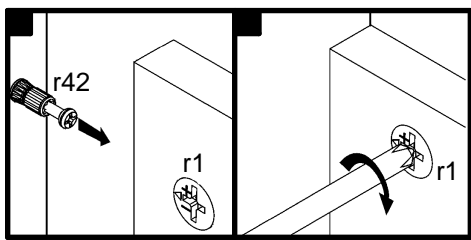
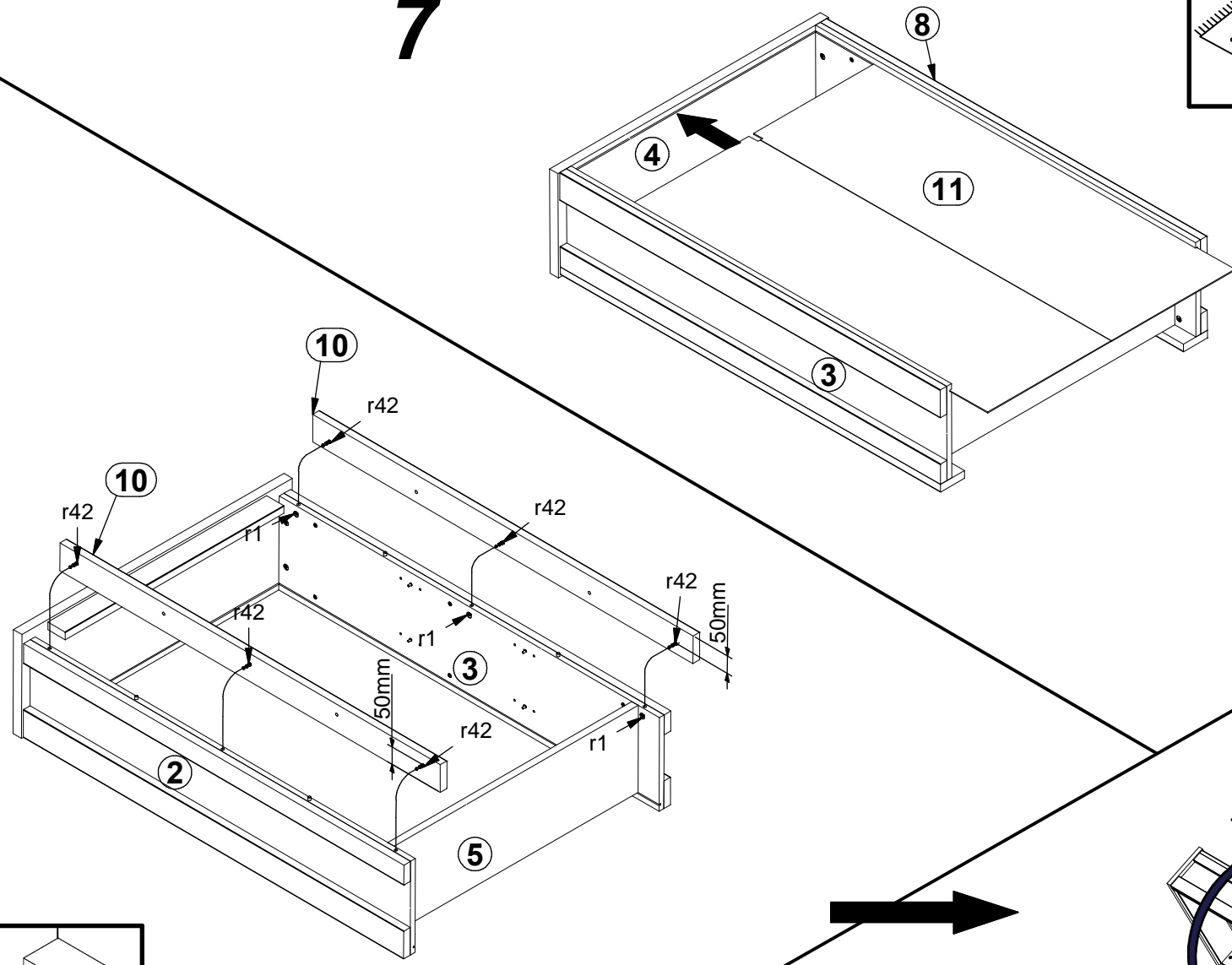
4



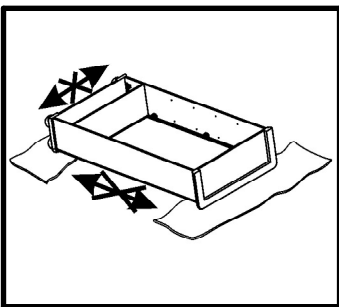


7

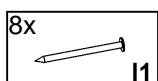
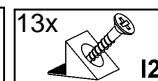
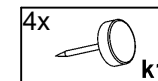
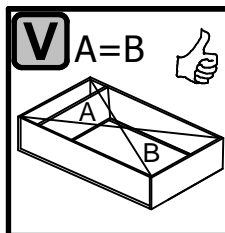
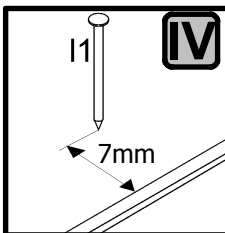
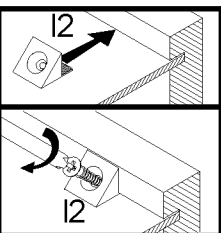
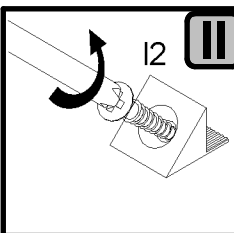
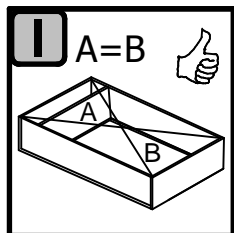
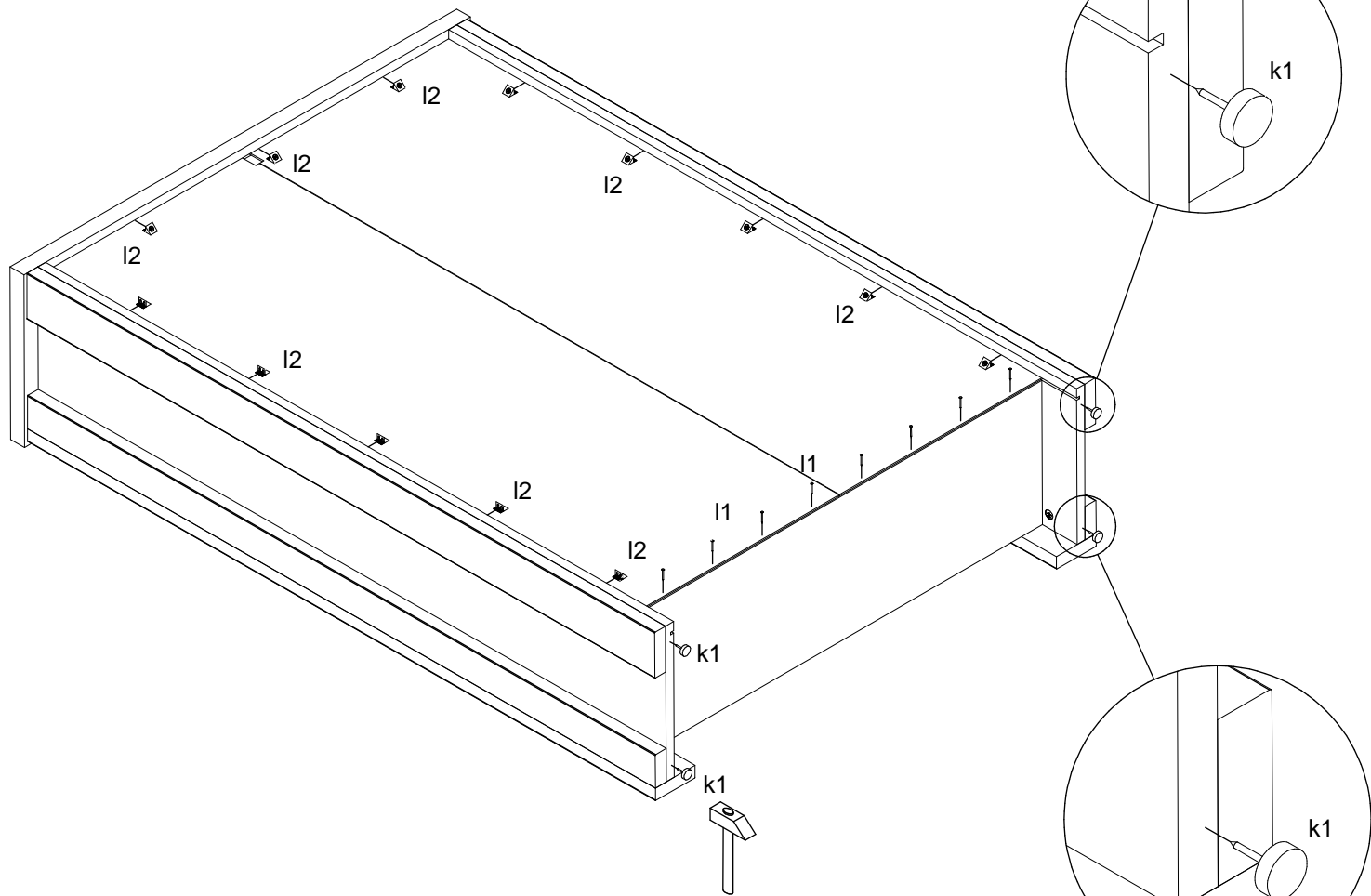
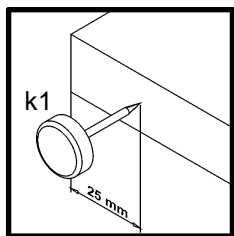
6

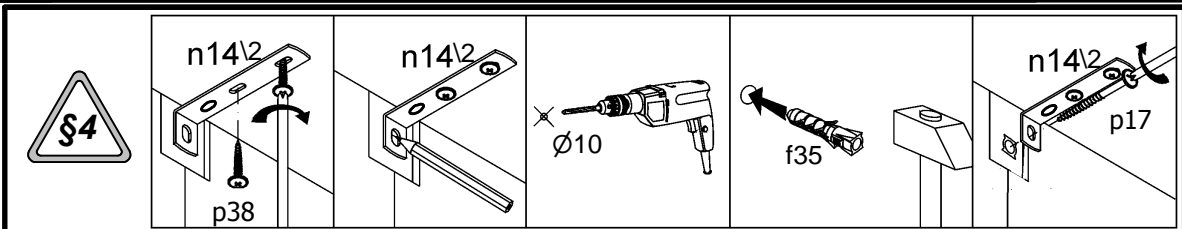






8





9

