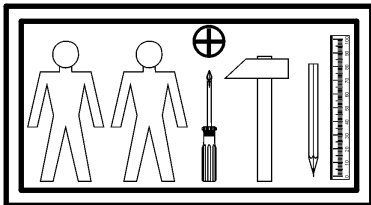
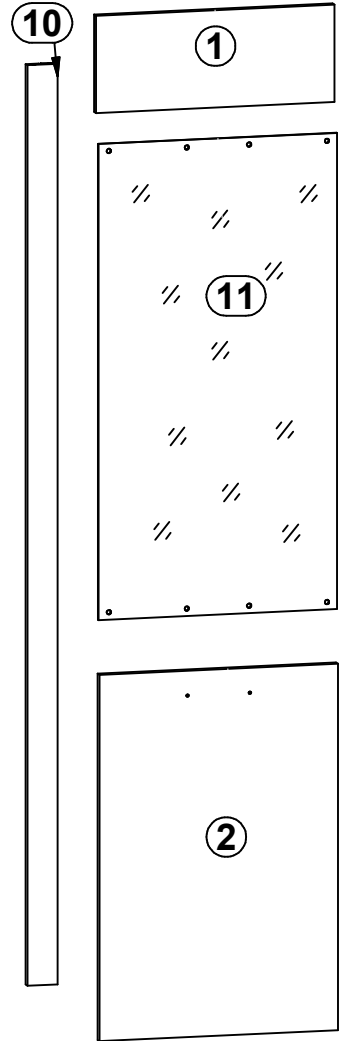
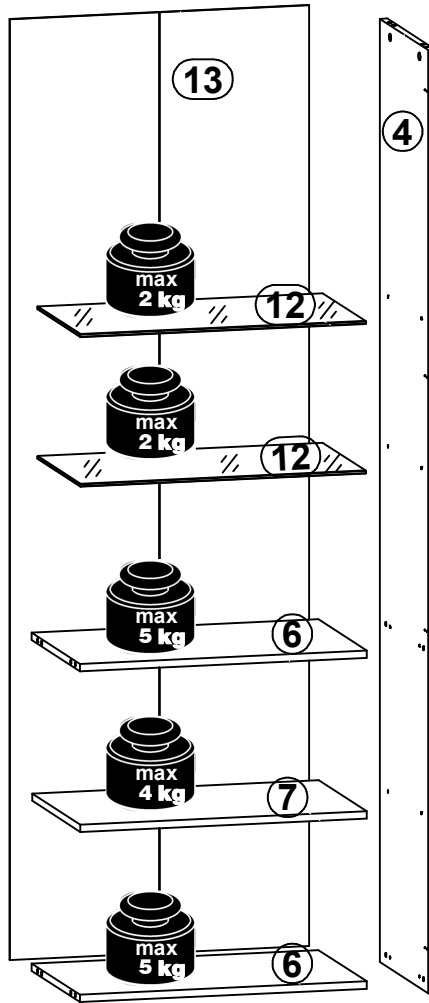
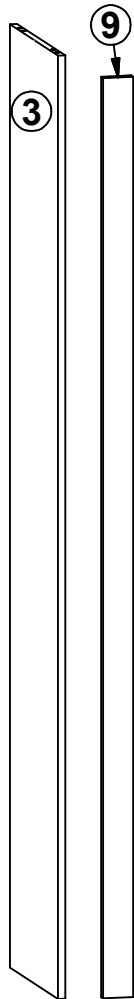
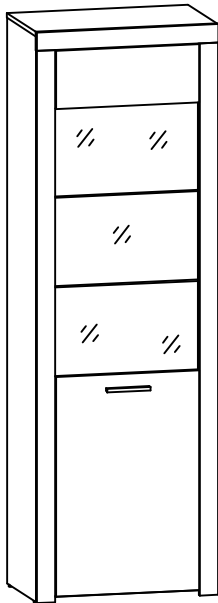
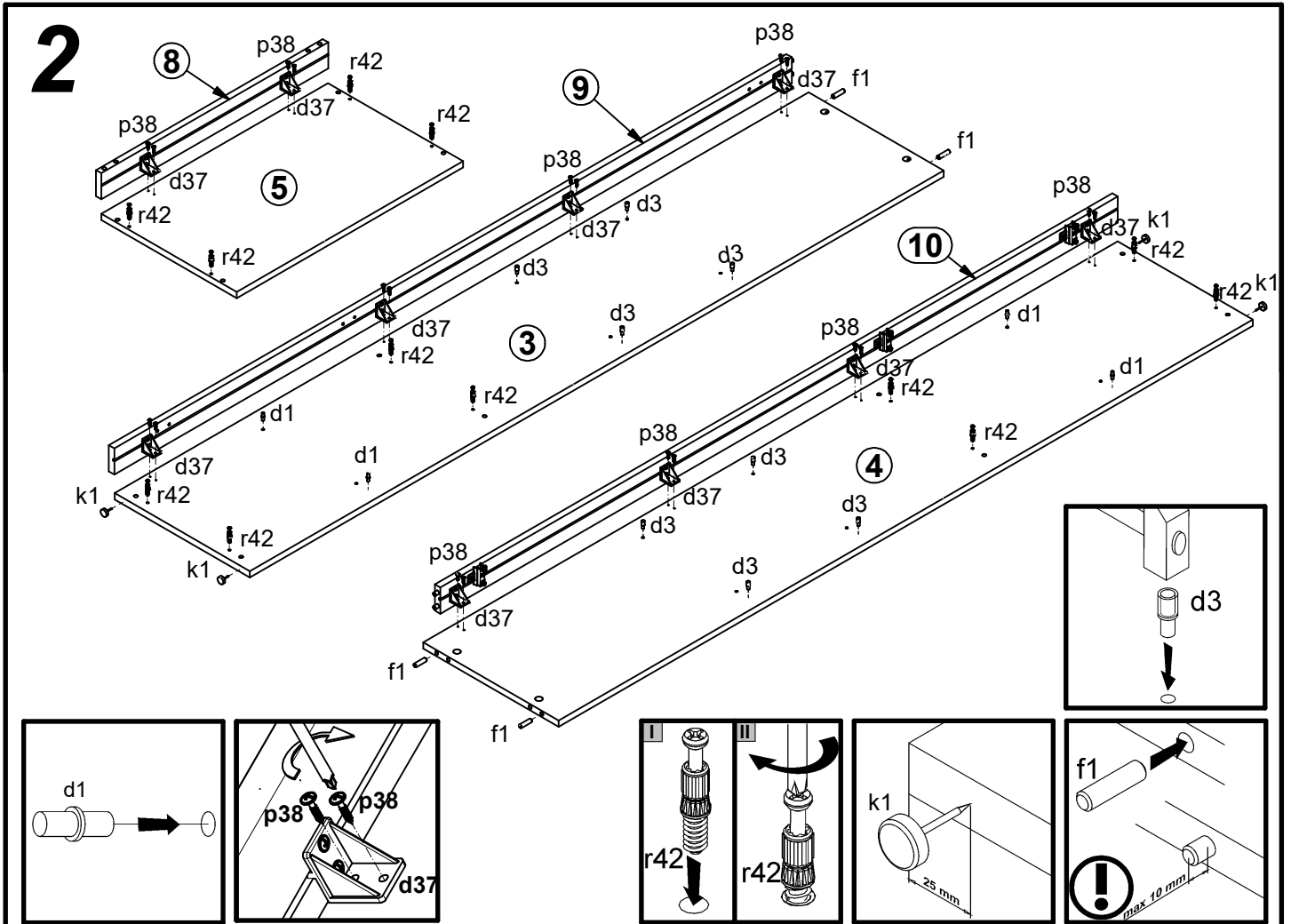
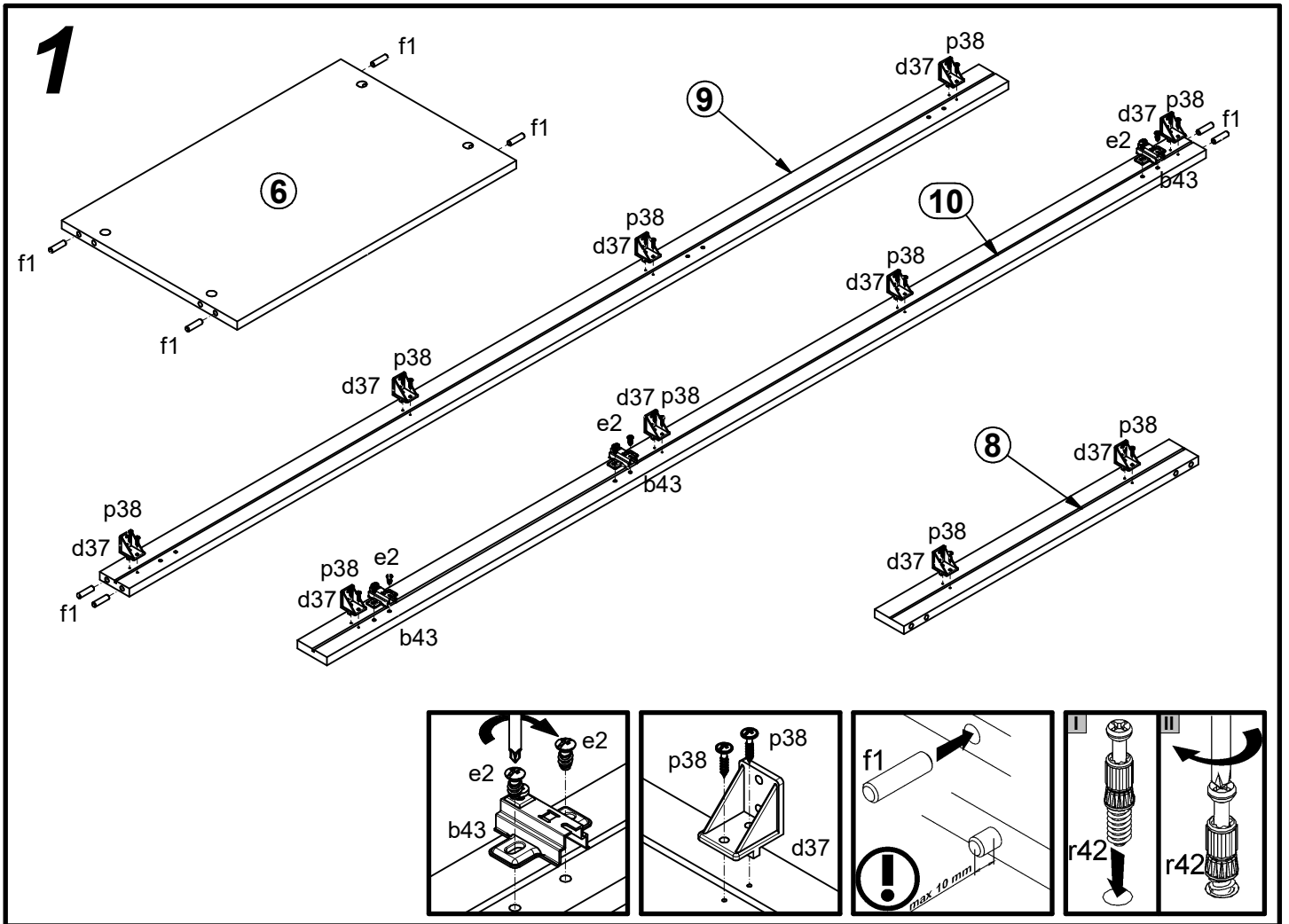


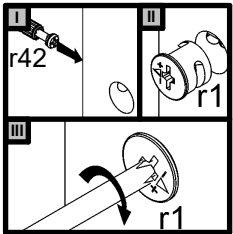
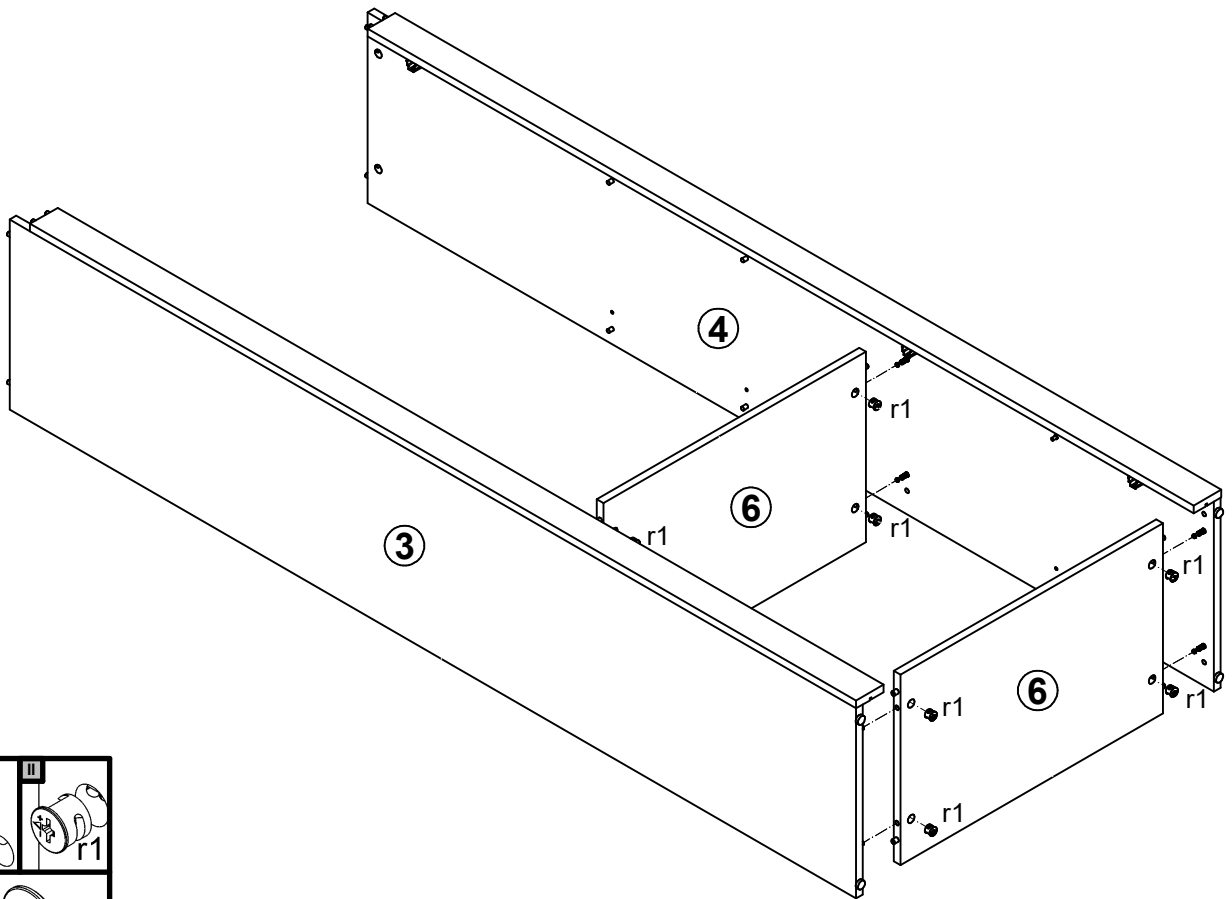
A	B	C	D
1	S382-0013	196	490 3/3
2	S382-0014	490	738 3/3
3	S382-1027	1900	370 1/3
4	S382-1028	1900	370 1/3
5	S382-2006	620	370 2/3
6	S382-3013	589	370 2/3
7	S382-3014	588	368 2/3
8	S382-5015	621	62 1/3
9	S382-5021	1854	62 1/3
10	S382-5022	1854	62 1/3
11	S382-5026	959	490 3/3
12	S382-5027	587	330 2/3
13	S382-9303	1895	615 1/3



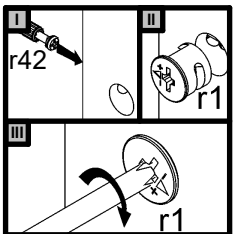
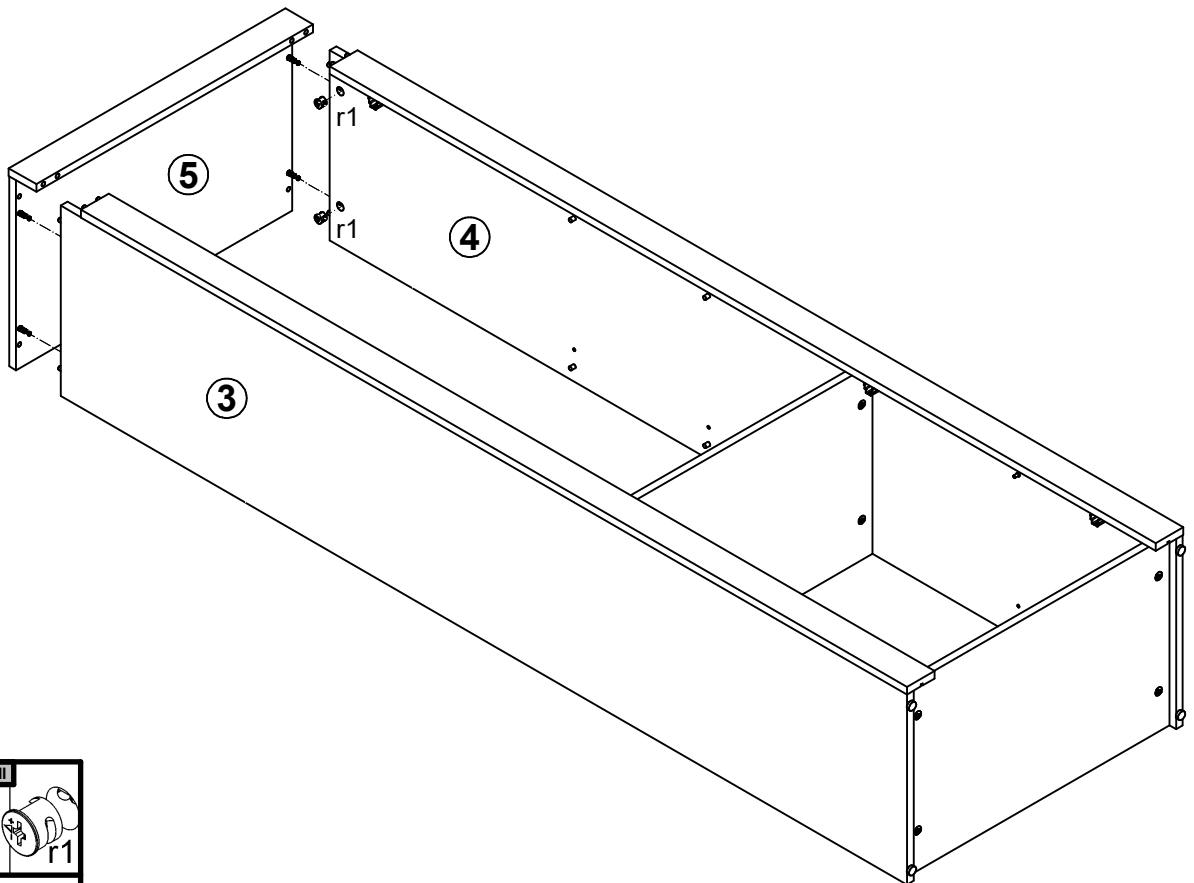
3x  a132	3x  b43	1x  c328 128 mm	4x  d1 Ø5x17 mm	8x  d3 Ø5x17 mm	10x  d37	6x  e2 Ø6,3x13 mm	8x  e41 Ø5x12 mm	16x  f1 Ø8x30 mm	
4x  k1	55x  l1	8x  o54 Ø5,3/Ø6,3x4,8 mm	40x  p38 Ø3,5x16 mm	6x  p51 Ø3,5x15 mm	2x  p60 Ø4x22 mm	12x  r1 Ø15x12 mm #16	12x  r42 20/11	4x  s2 Ø16	
								1x  n2611	1x  p38 Ø3,5x16 mm



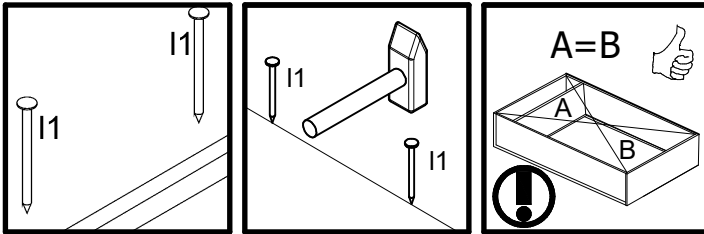
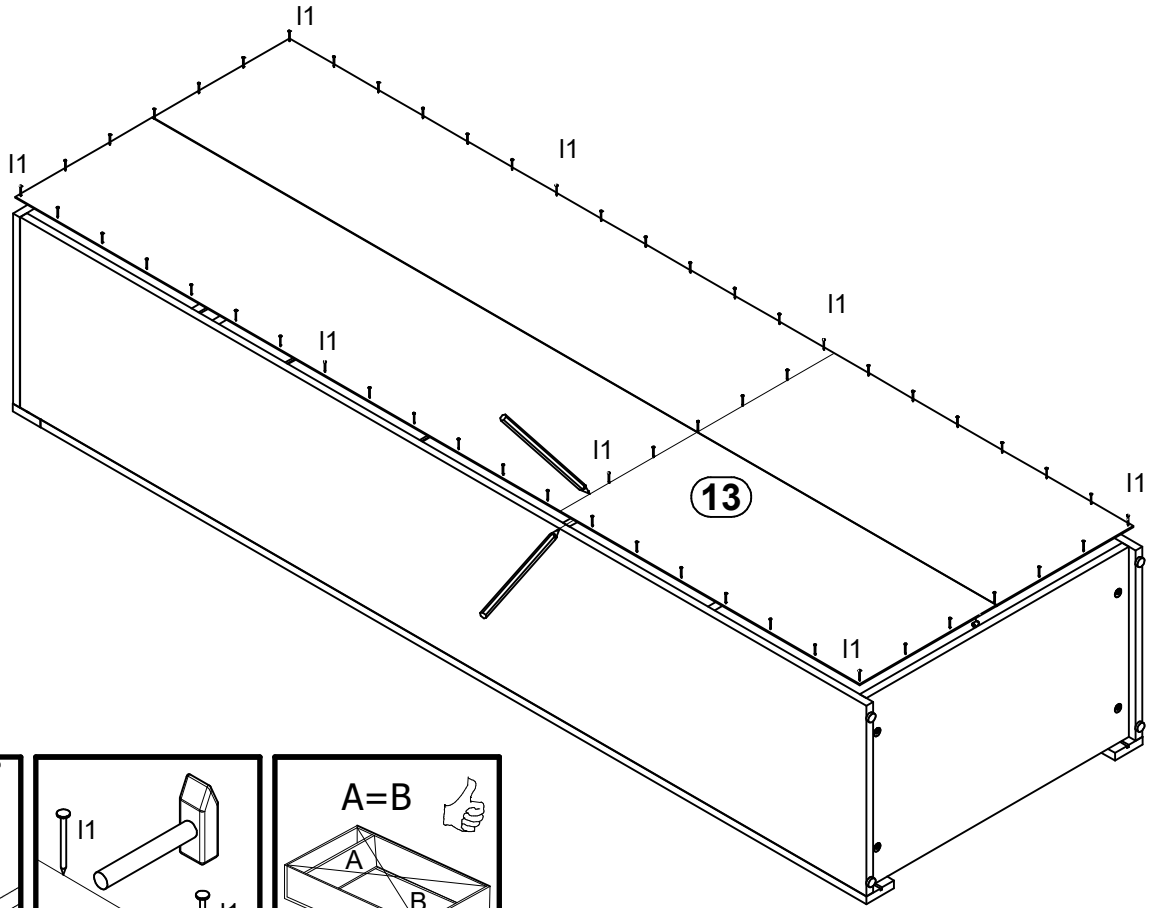
# 3



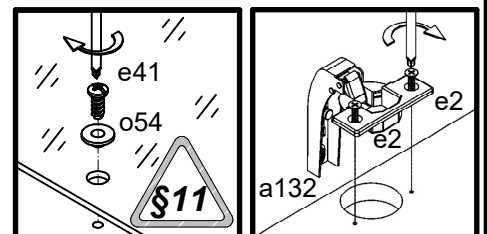
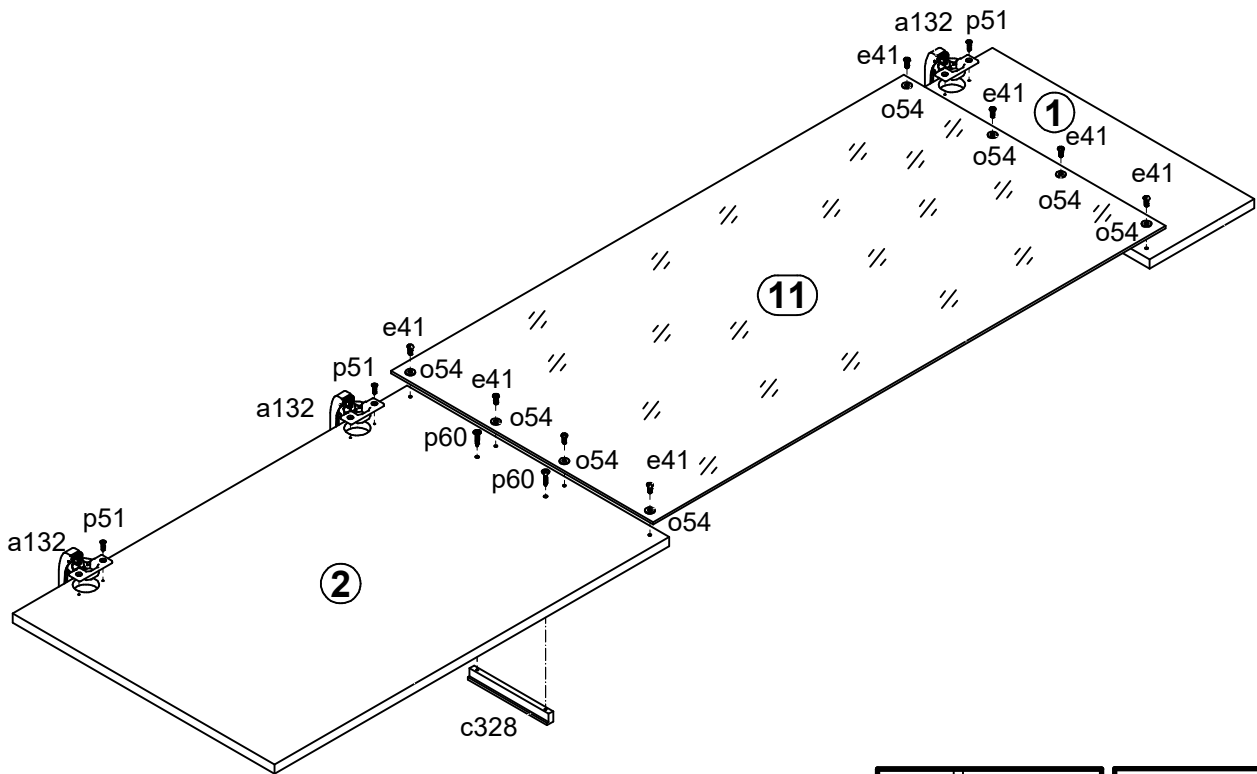
# 4



# 5



# 6



# 7

