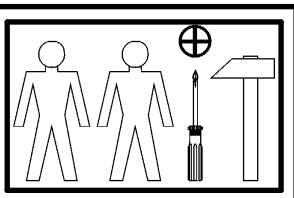
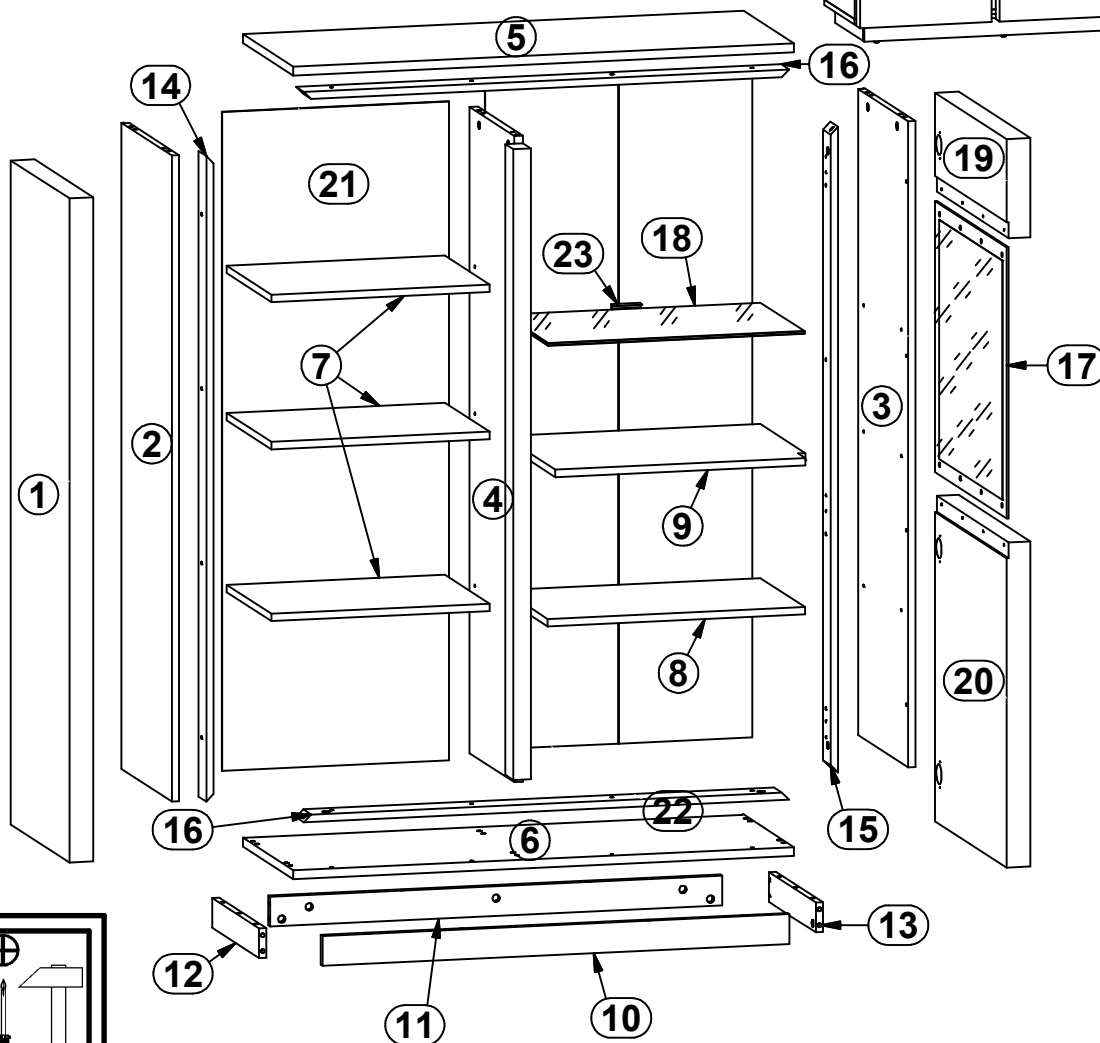
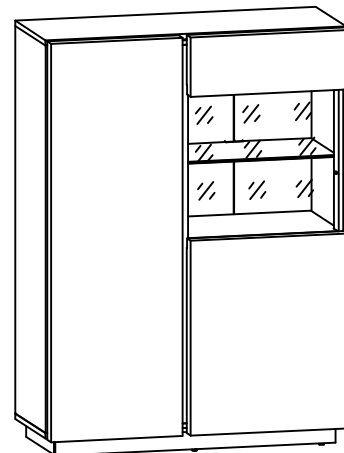


A	B	C	D	A	B	C	D		
1	S317-002	1340	450	5/7	12	S317-404	360	60	1/7
2	S317-103	1304	387	1/7	13	S317-405	360	60	1/7
3	S317-104	1304	387	1/7	14	S317-411	1303	60	4/7
4	S317-105	1304	404	1/7	15	S317-412	1303	60	4/7
5	S317-203	1029	387	1/7	16	S317-418	997	60	4/7
6	S317-204	1029	387	1/7	17	S317-501	547	550	2/7
7	S317-301	448	343	1/7	18	S317-502	528	338	3/7
8	S317-302	529	343	1/7	19	S317-701	550	200	6/7
9	S317-303	529	400	1/7	20	S317-702	550	656	7/7
10	S317-402	960	60	1/7	21	S317-903	1330	466	5/7
11	S317-403	929	60	1/7	22	S317-904	1330	549	1/7

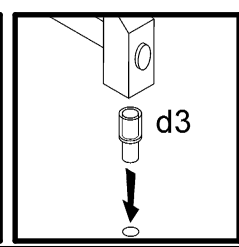
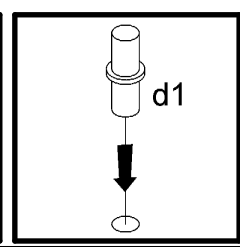
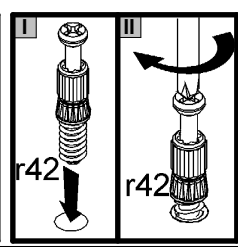
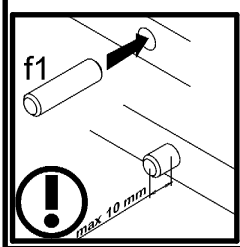
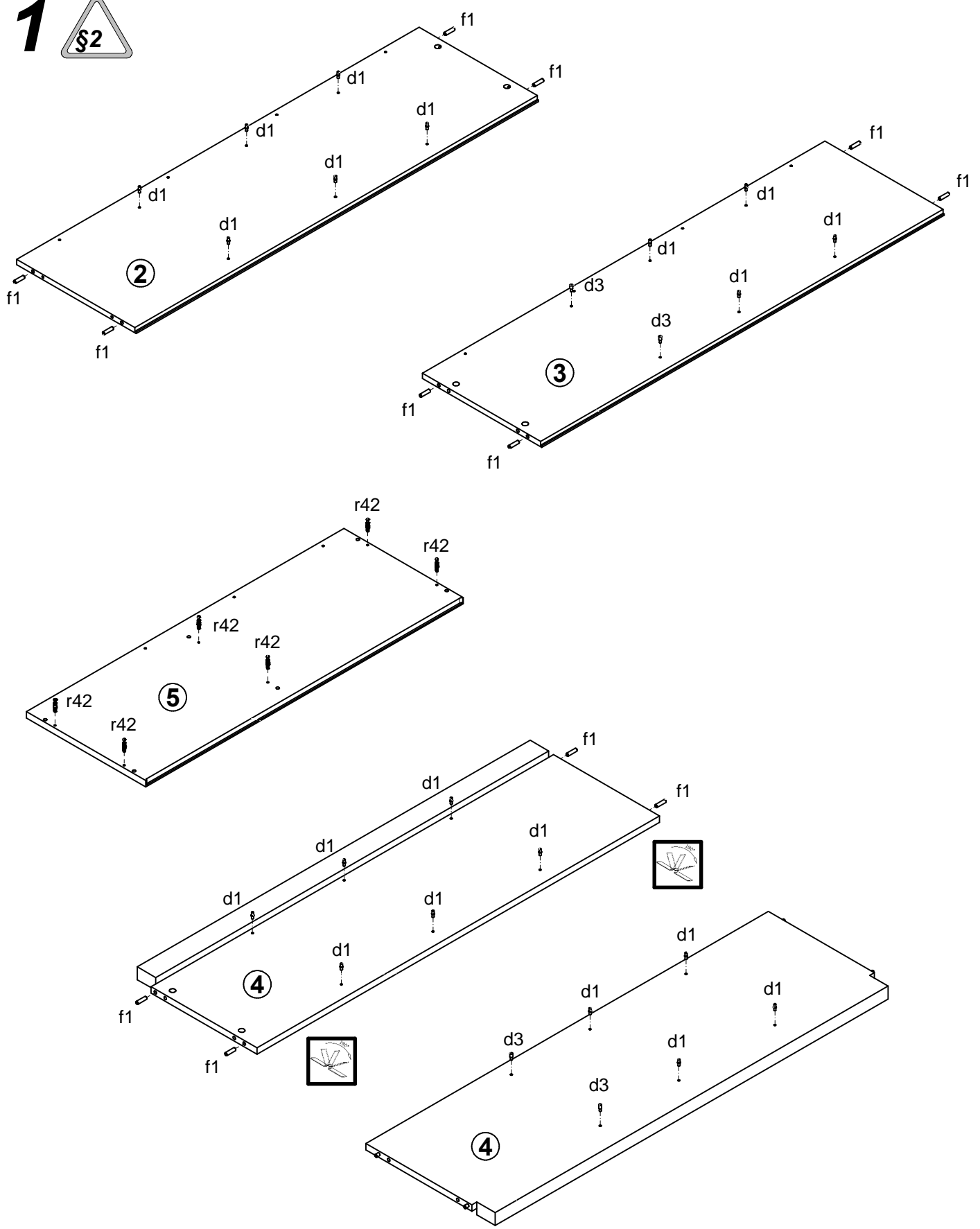


A	B	C	D
23	qb20\1_F-BI	LED	1/1

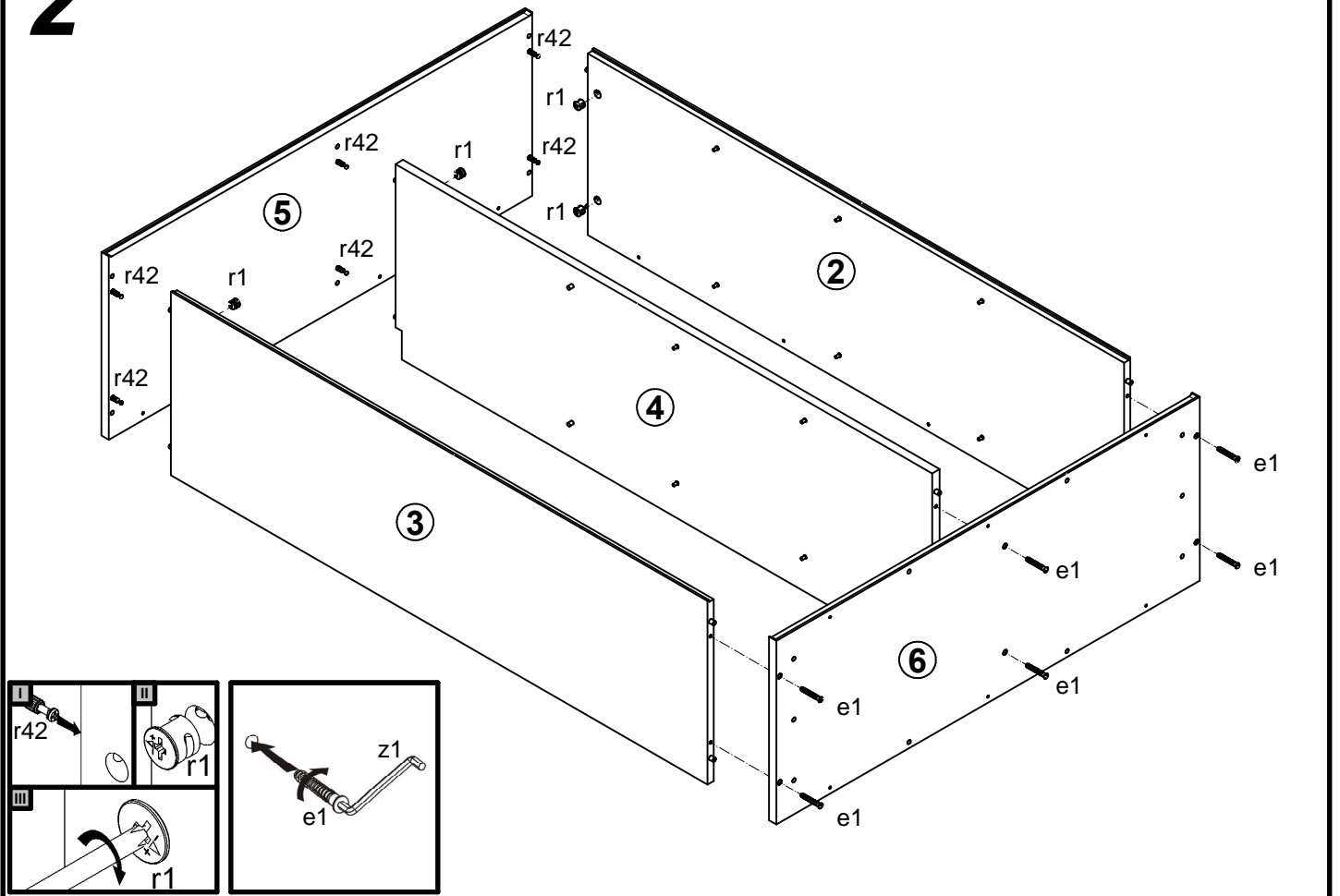


6x K0 Ø40 a128	6x H10 b75	20x Ø5x17 mm d1	4x Ø5x17 mm d3	6x Ø7x50 mm e1	8x Ø5x12 mm e41	16x Ø6.3x26 mm e52	26x Ø8x30 mm f1	6x k1
75x l1	1x n26	8x Ø5.3/Ø6.3x4.8 mm o54	1x Ø3.5x16 mm p38	12x Ø3.5x15 mm p51	24x Ø15x12 mm #16 r1	4x 39/39 r38	16x 20/11 r42	10x Ø16 s2
1x z1								

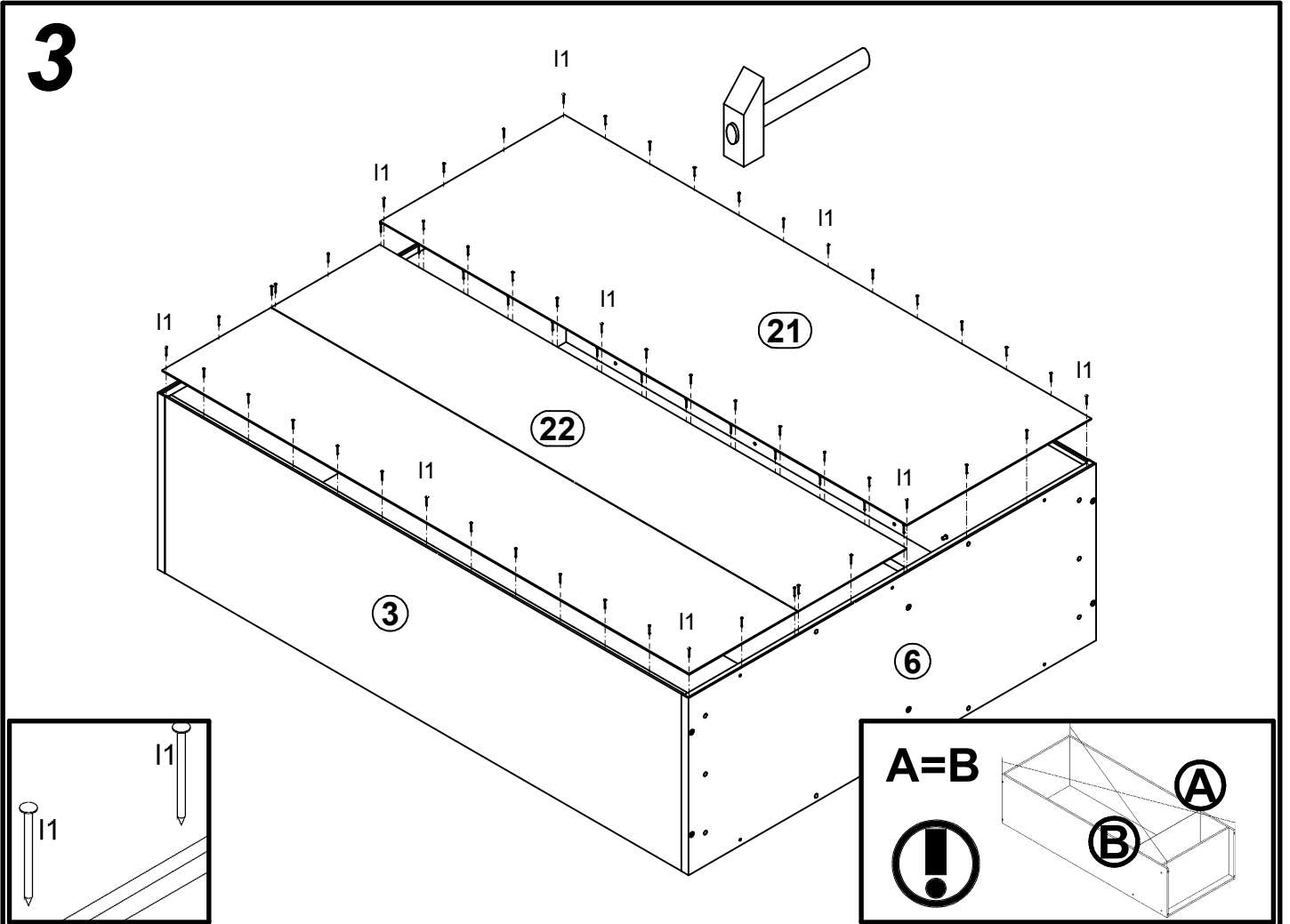
1



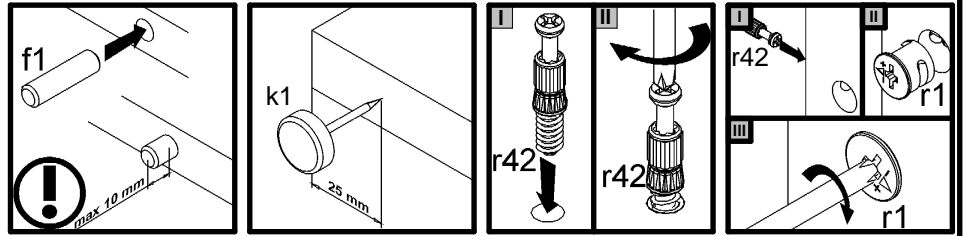
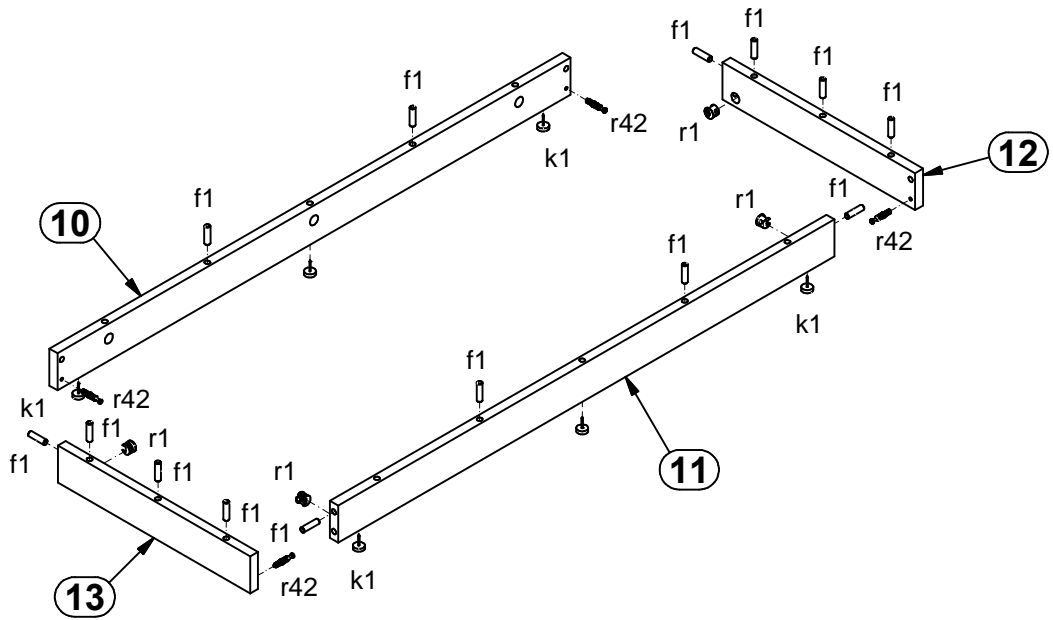
2



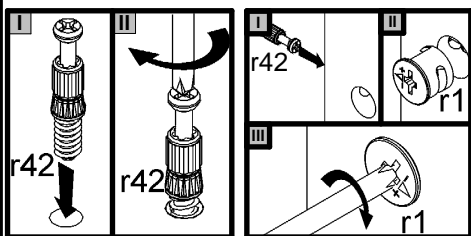
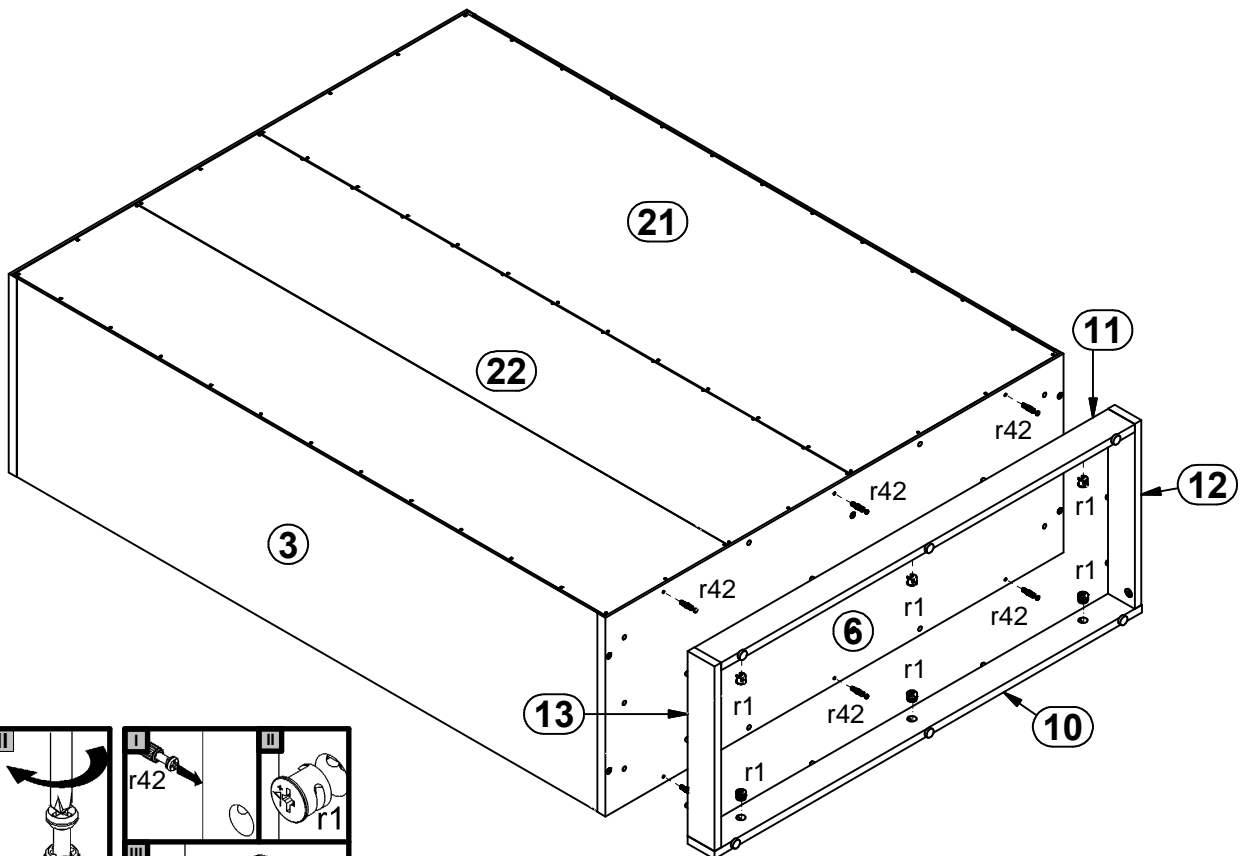
3



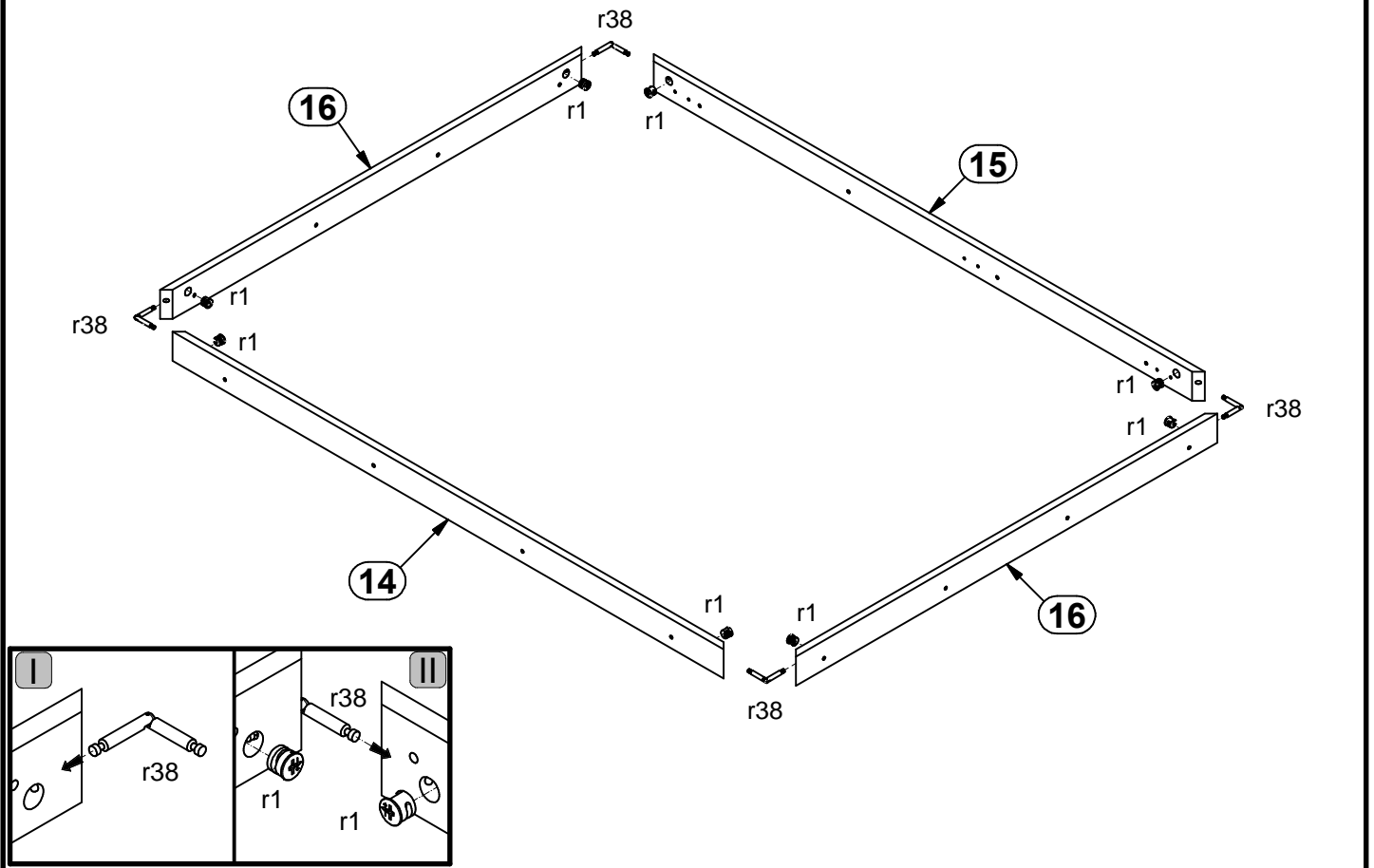
4



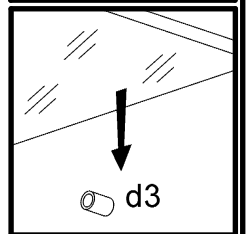
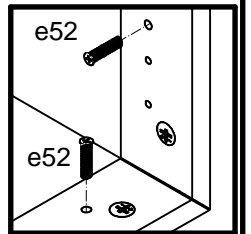
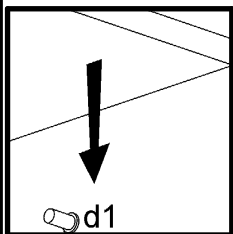
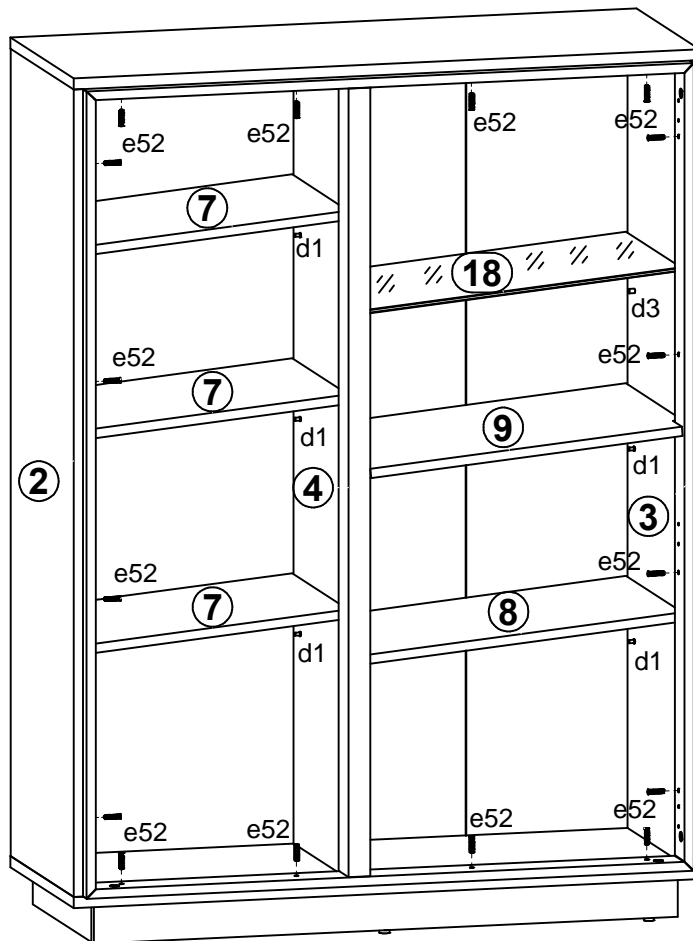
5



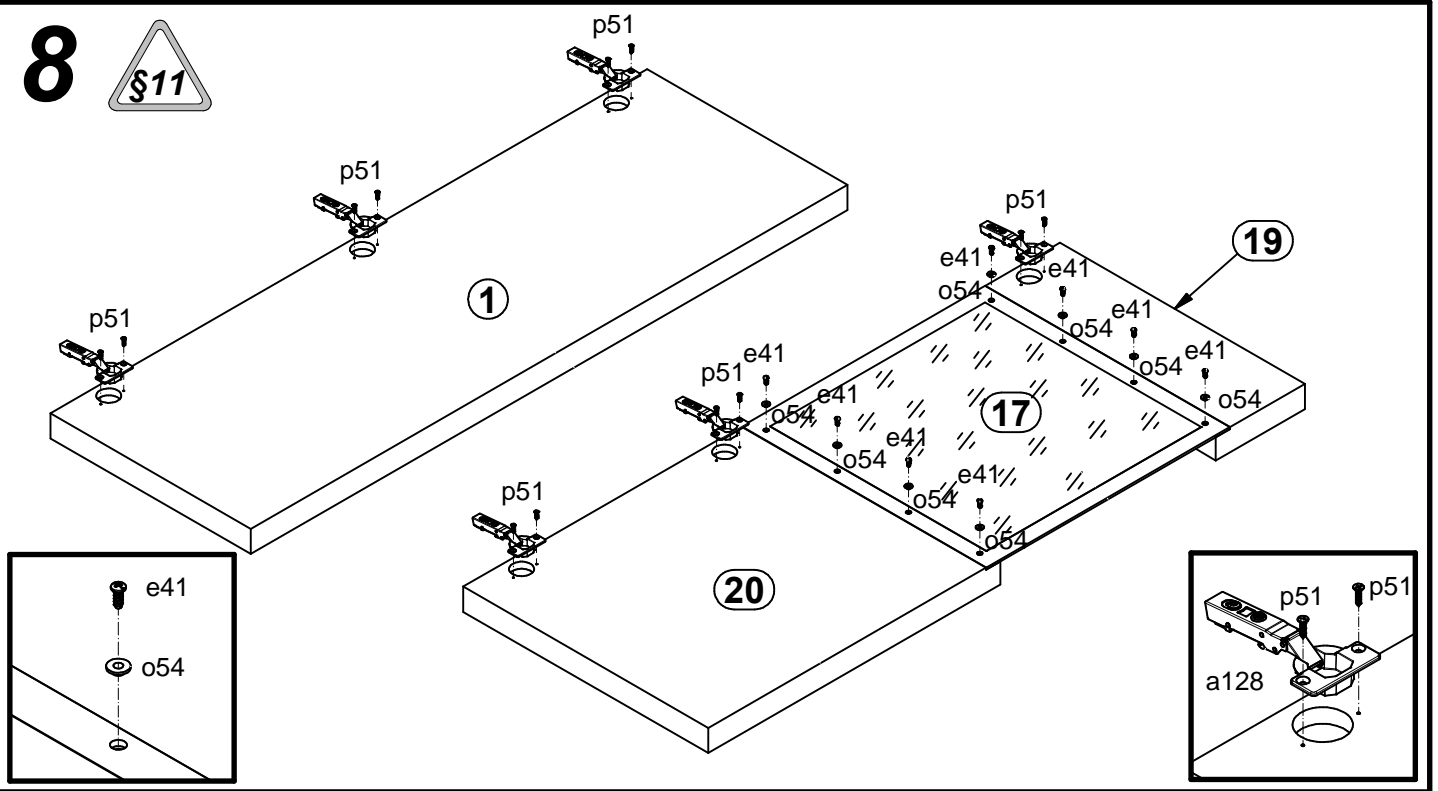
6



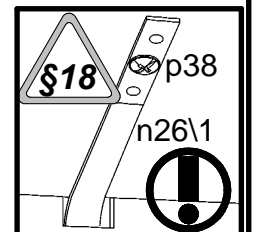
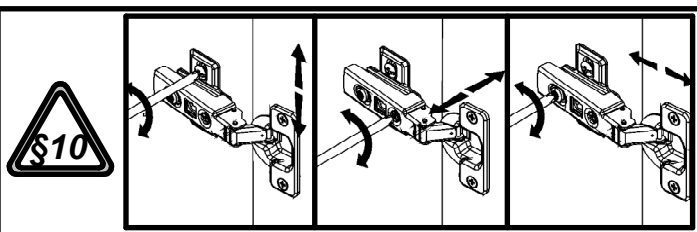
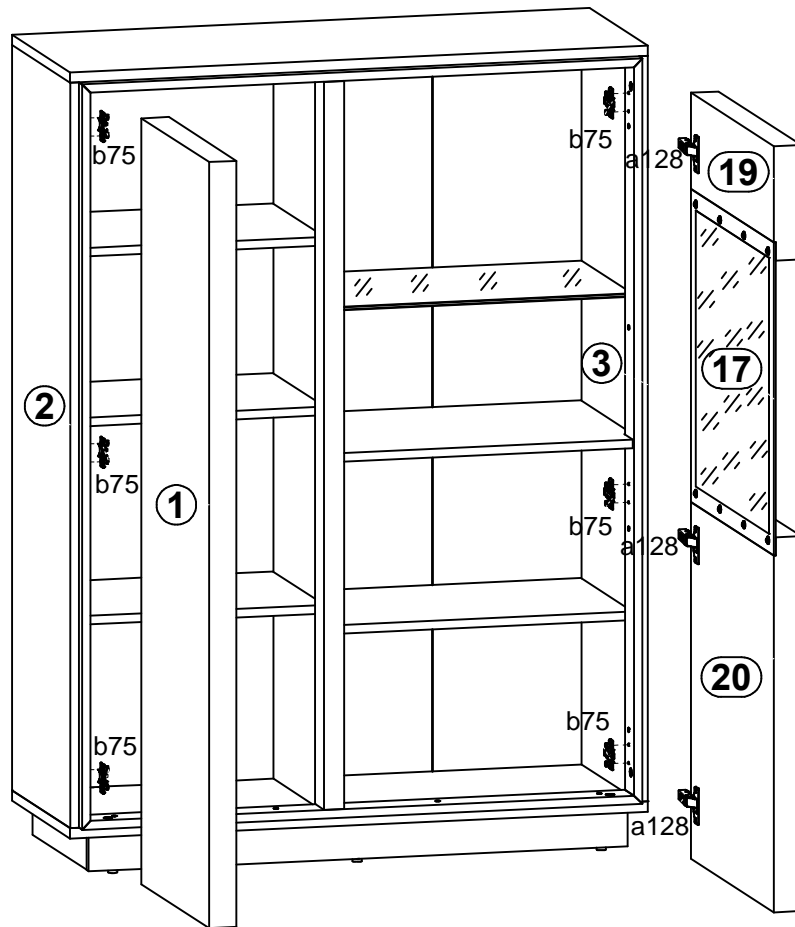
7



8



9



10

