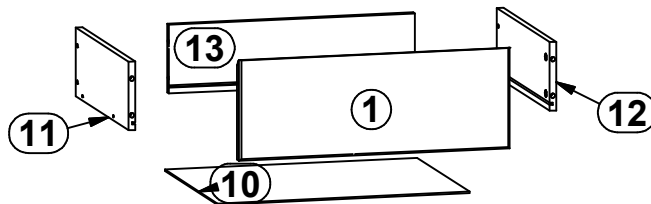
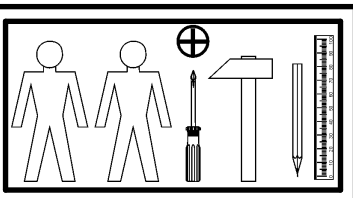
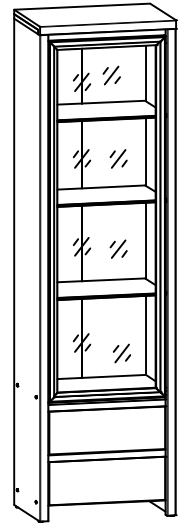
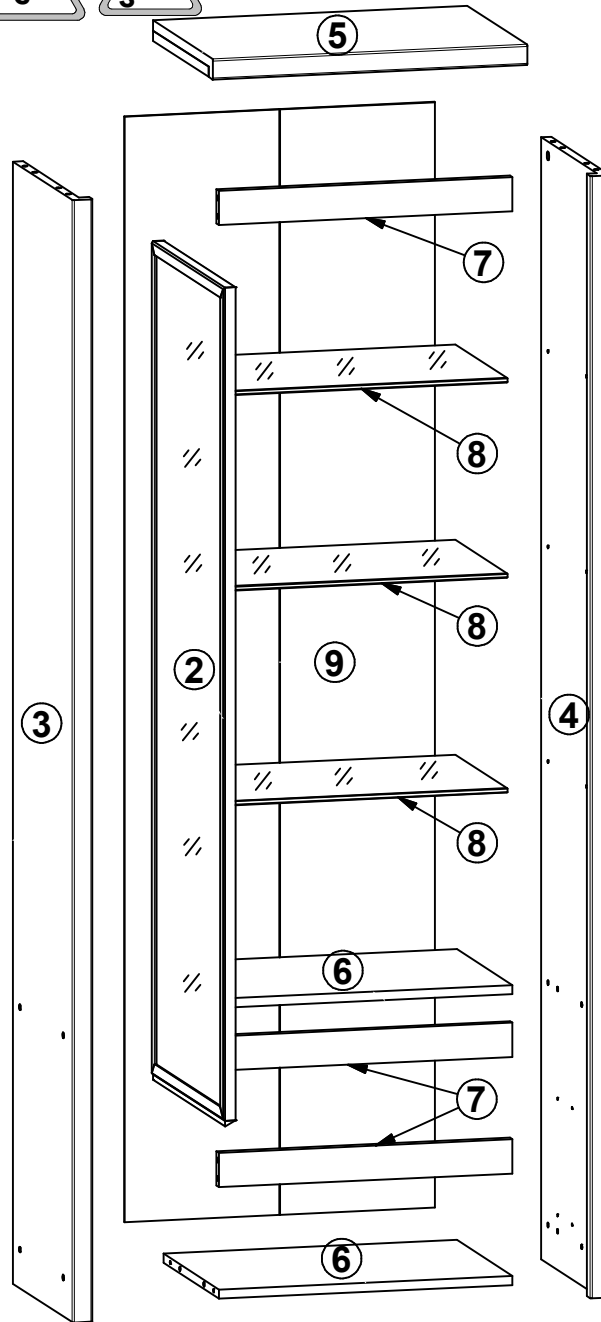


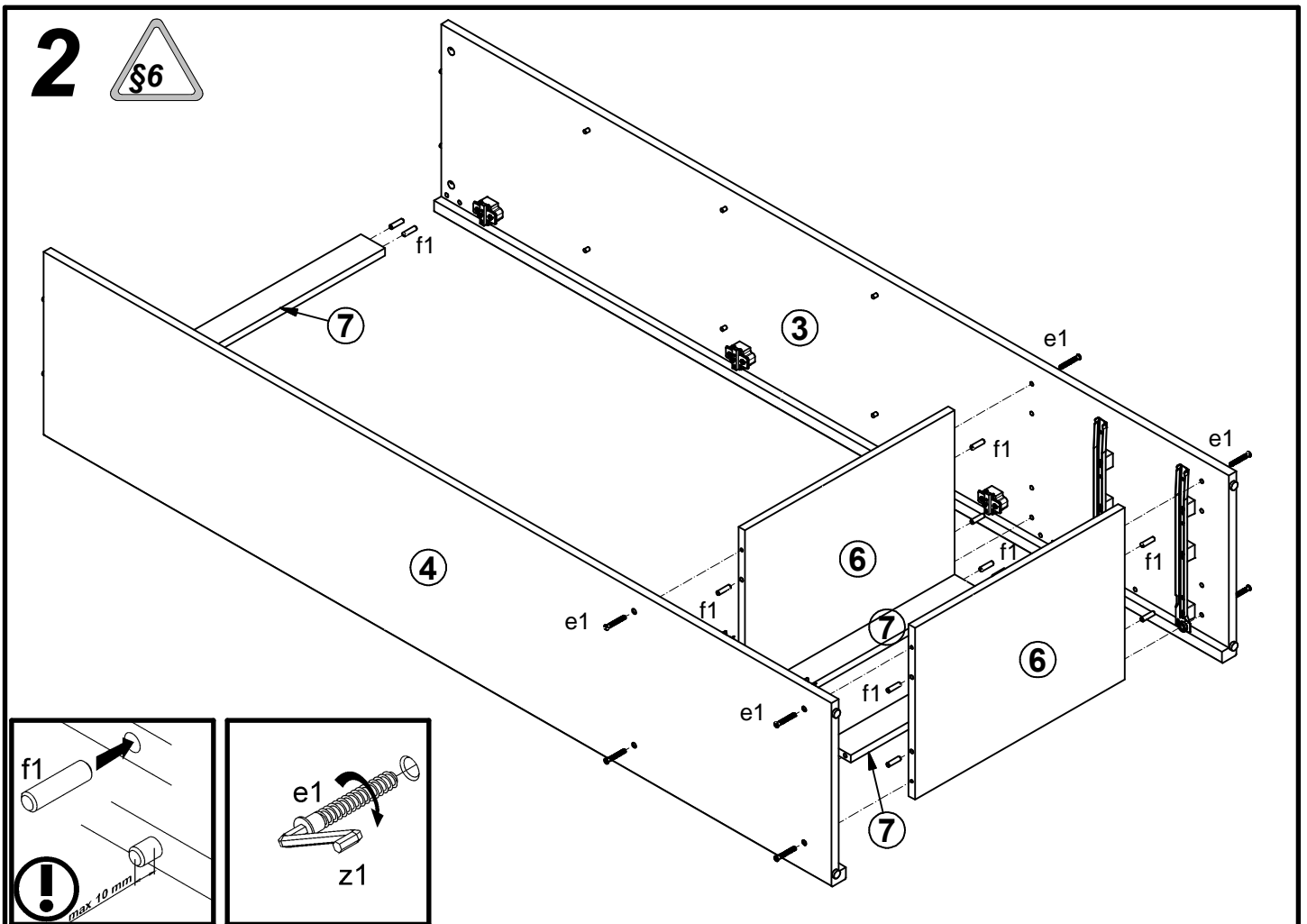
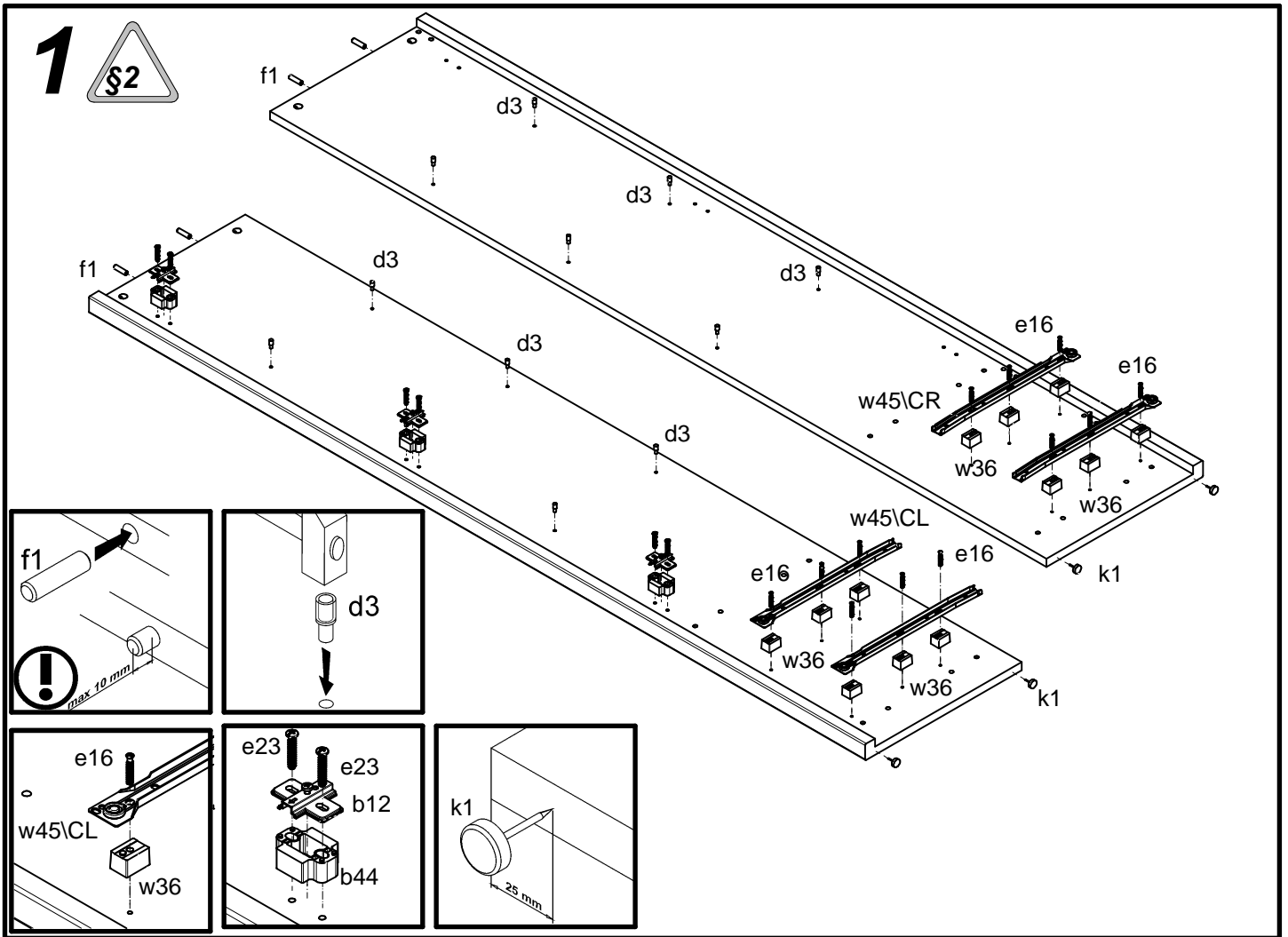
KASPIAN

REG1W2S

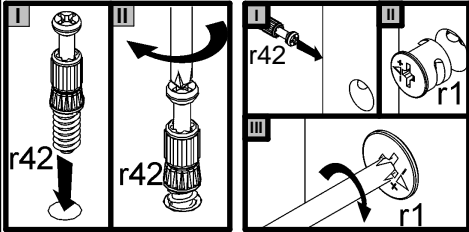
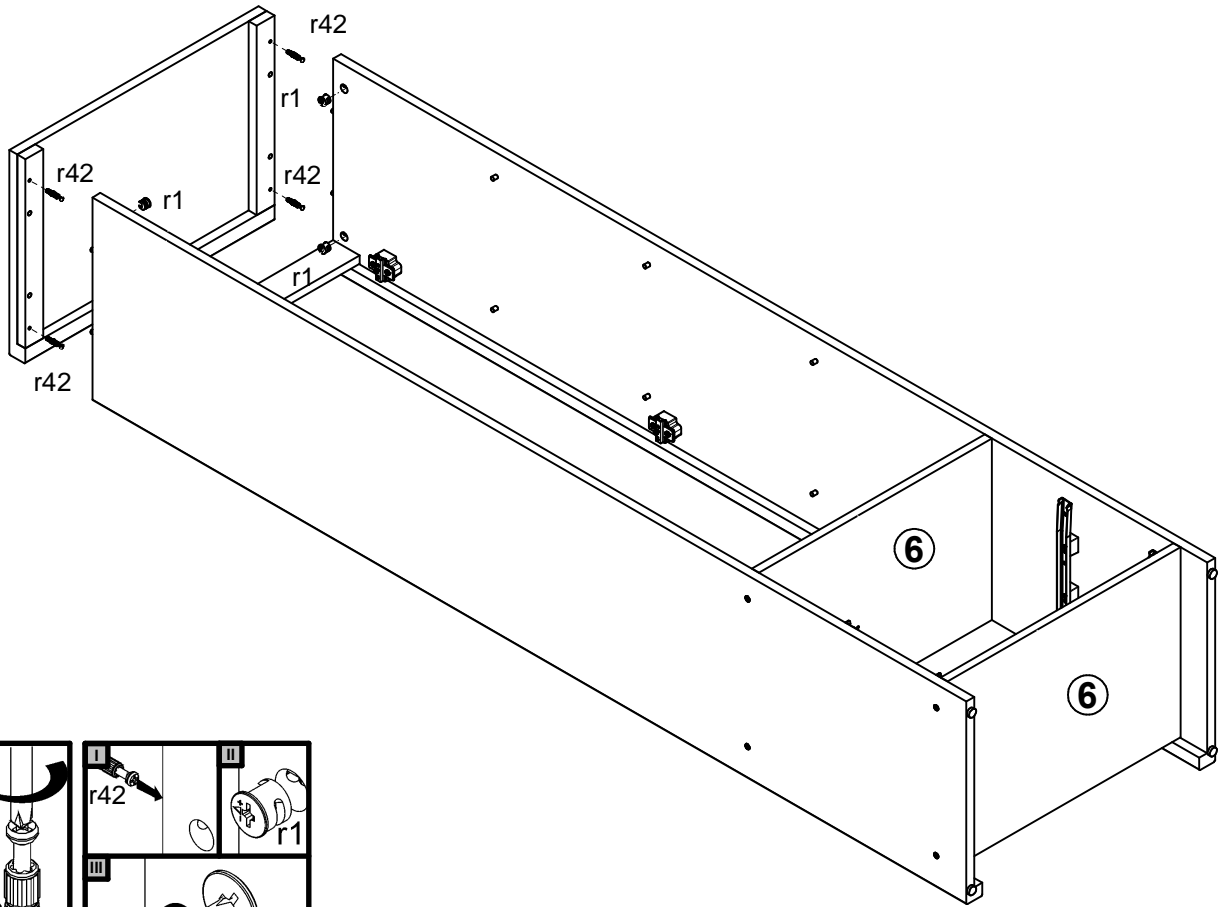
| A | B | C | D | |
|----|------------|------|-----|-------------|
| 1 | S128-004 | 482 | 176 | 4/5 \ 10/13 |
| 2 | S128-005 A | 1468 | 479 | 5/5 \ 11/13 |
| 3 | S128-105 | 1964 | 396 | 1/5 \ 1/13 |
| 4 | S128-106 | 1964 | 396 | 1/5 \ 1/13 |
| 5 | S128-203 | 560 | 399 | 2/5 \ 2/13 |
| 6 | S128-304 | 523 | 370 | 2/5 \ 2/13 |
| 7 | S128-405 | 523 | 60 | 2/5 \ 2/13 |
| 8 | S128-501 | 521 | 345 | 3/5 \ 8/13 |
| 9 | S128-904 | 1935 | 553 | 1/5 \ 1/13 |
| 10 | S128-905 | 449 | 348 | 1/5 \ 1/13 |
| 11 | ZS2-511 | 350 | 120 | 2/5 \ 2/13 |
| 12 | ZS2-512 | 350 | 120 | 2/5 \ 2/13 |
| 13 | ZS2-5512 | 438 | 120 | 2/5 \ 2/13 |



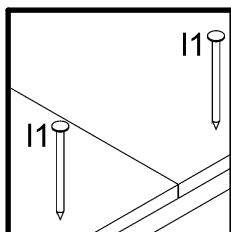
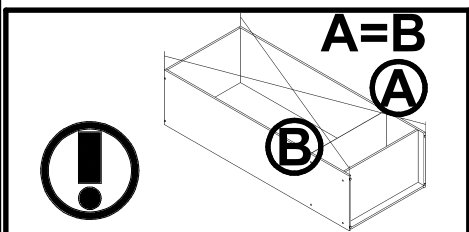
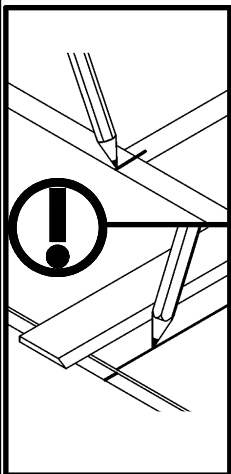
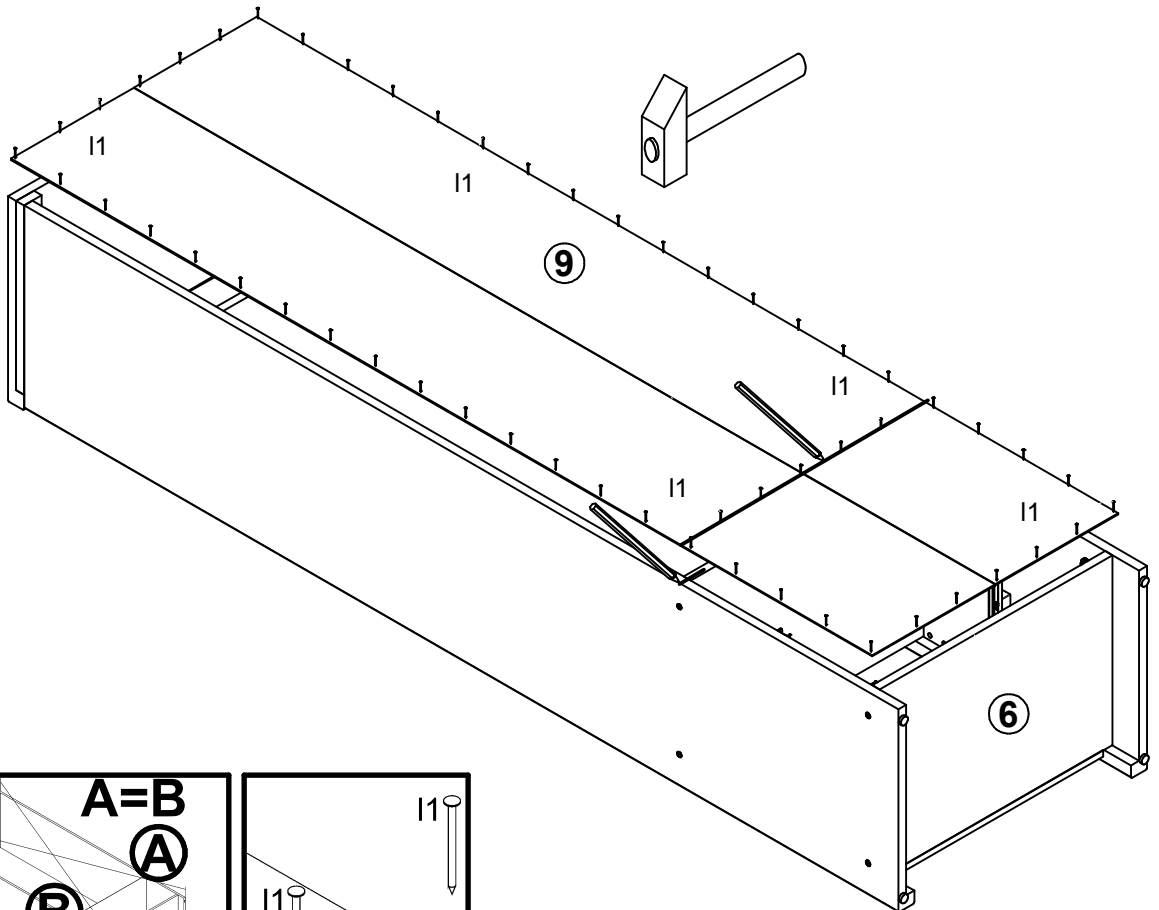
| | | | | | | | | |
|-----------------------------|----------------------------|---------------|-------------------------------|---------------------------------|----------------------------|---------------------------|-----------------------------|----------------------------|
| 3x a1 | 3x b12 | 3x b44 | 12x φ5x17 mm d3 | 8x φ7x50 mm e1 | 12x φ6x30 mm e16 | 8x φ5x9 mm e19 | 6x φ6,3x30 mm e23 | 24x φ8x30 mm f1 |
| 8x φ6,5x40 mm f25 | 4x k1 | 55x l1 | 4x φ1,5x12mm #16 r1 | 8x φ12x10,5mm #12 r15 | 12x r42 | 12x h=18 mm w36 | 2x 350 mm w45 CL | 2x 350 mm w45 CR |
| 2x 350 mm w45 DL | 2x 350 mm w45 DR | 1x z1 | 1x n26 1 | 1x φ3,5x16 mm p38 | 8x s1 | 4x ø16 s2 | 3x ø26 mm s8 | 6x ø5 s4 |



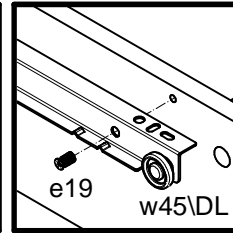
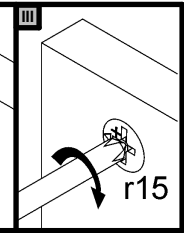
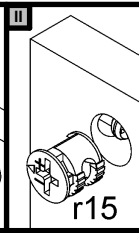
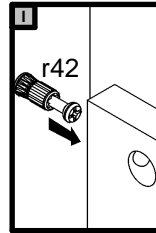
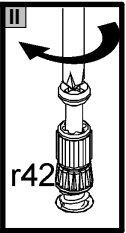
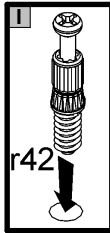
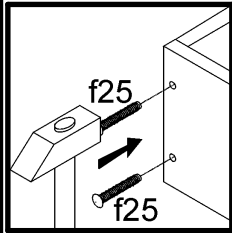
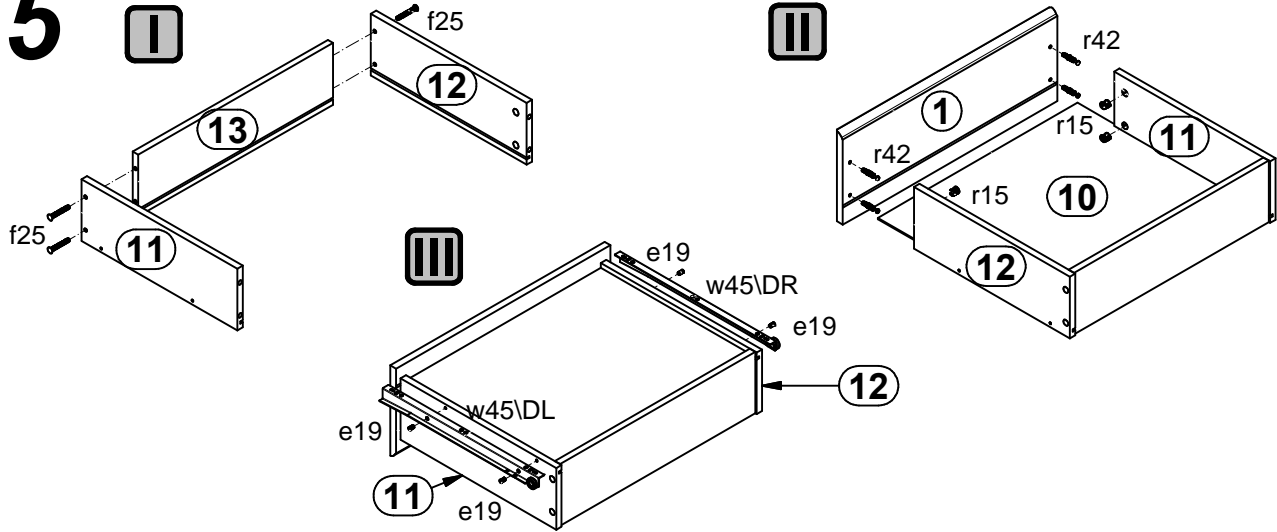
3



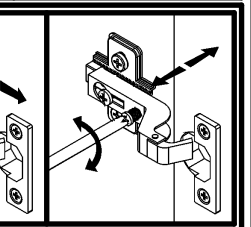
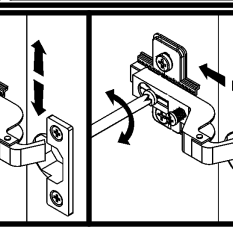
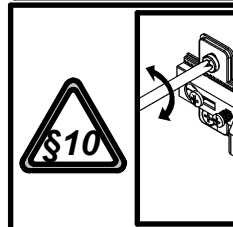
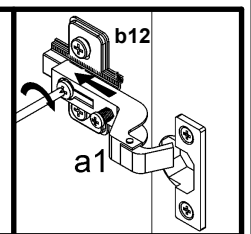
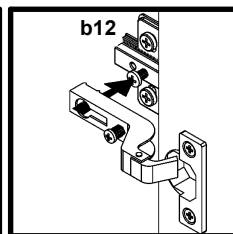
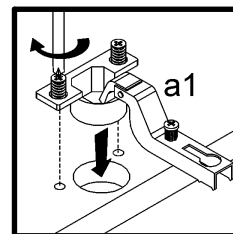
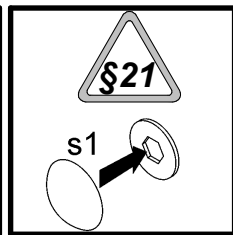
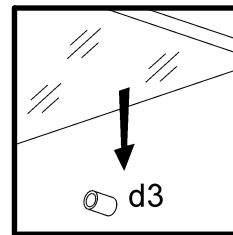
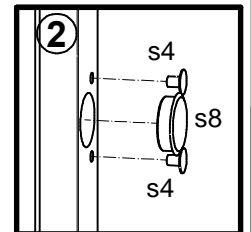
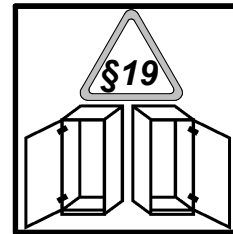
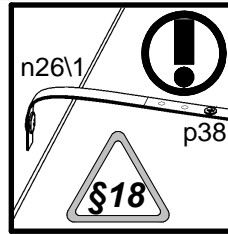
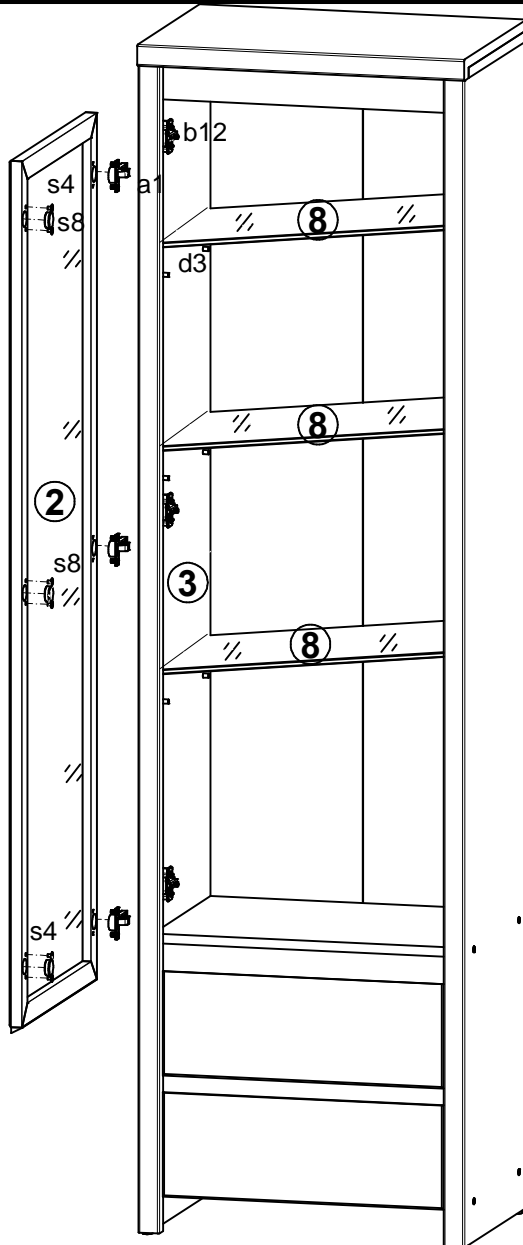
4

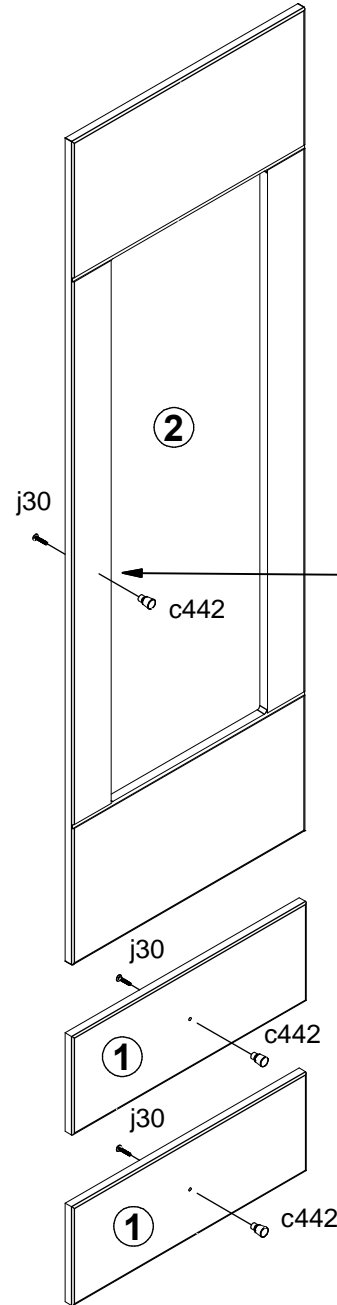
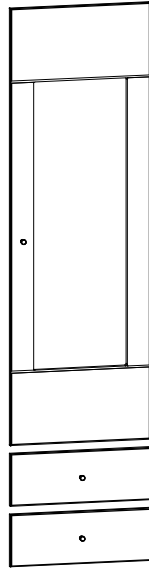
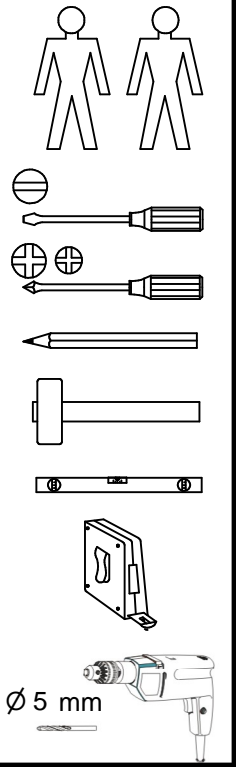


5



6





| A | B | C (mm) | D |
|---|-----------|--------|-----|
| 1 | S264-0016 | 176 | 482 |
| 2 | S264-019 | 1468 | 479 |

