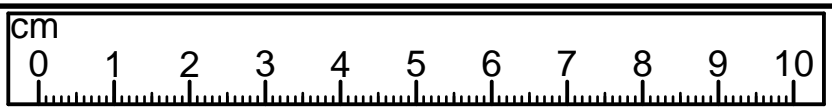
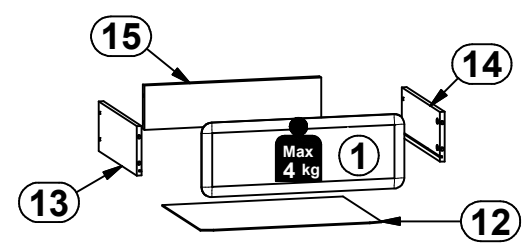
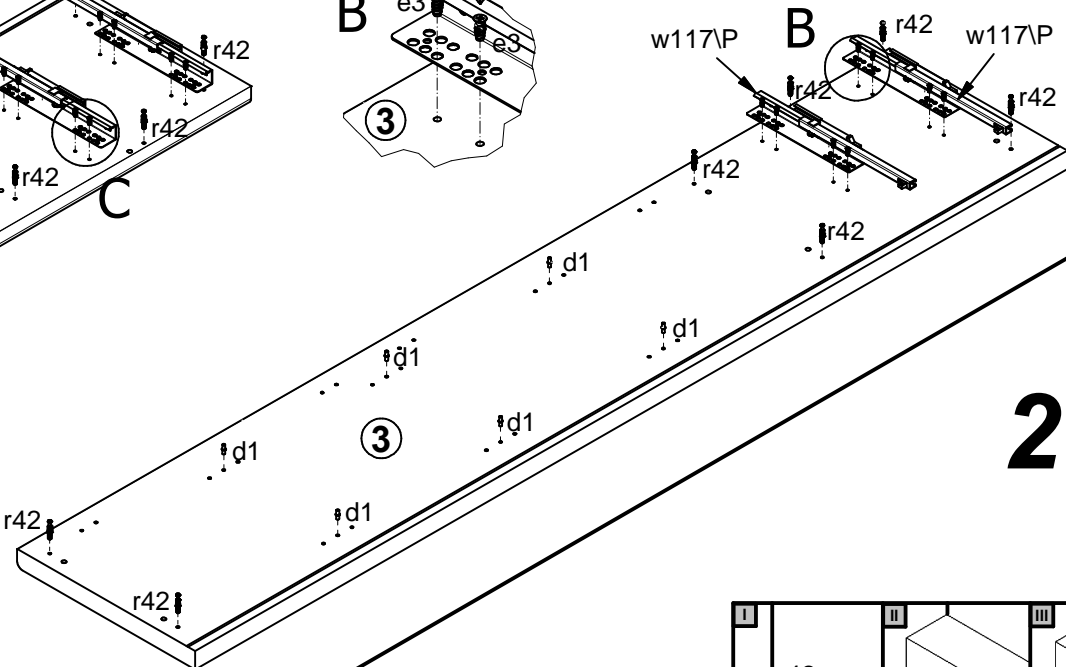
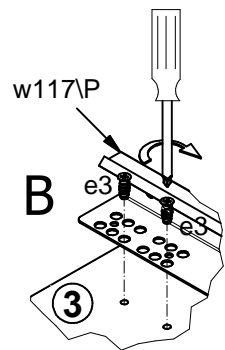
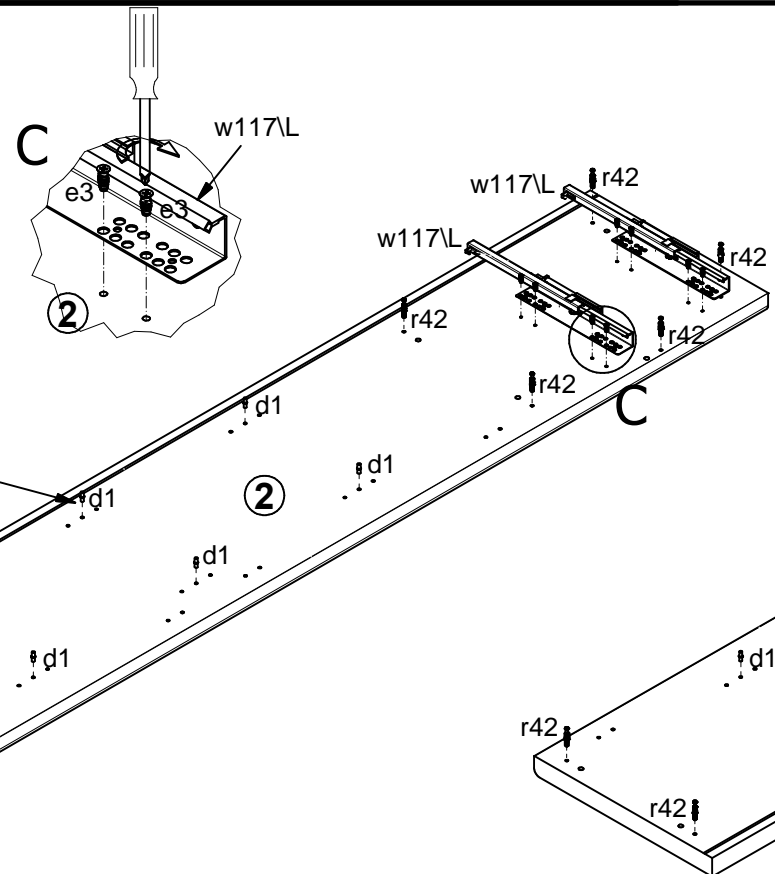
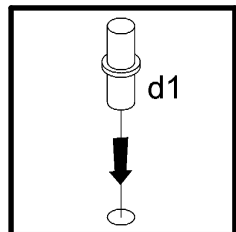


A	B	C (mm)		D
1	S221-006	180	500	1/1
2	S221-139	1960	400	1/1
3	S221-140	1960	400	1/1
4	S221-306	476	379	1/1
5	S221-332	476	362,5	1/1
6	S221-348	476	379	1/1
7	S221-360	475	375	1/1
8	S221-405	476	60	1/1
9	S221-406	476	60	1/1
10	S221-912	430	486	1/1
11	S221-9910	1455	486	1/1
12	WSP-921	446	358	1/1
13	WSQ3-505	350	120	1/1
14	WSQ3-506	350 <td 120	1/1	
15	WTQ-5027	436	107	1/1

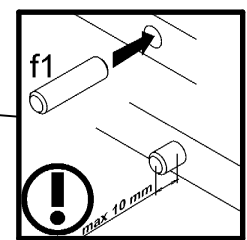
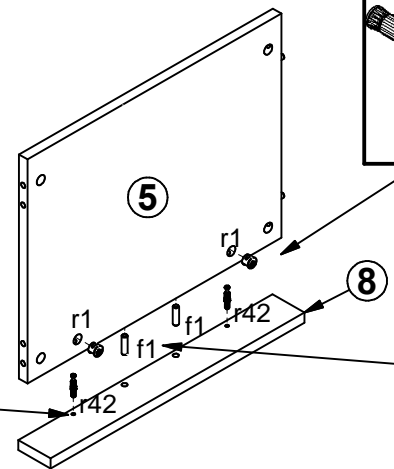
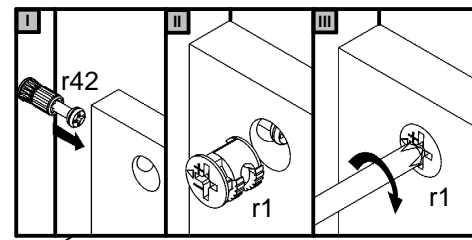
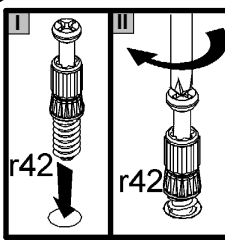
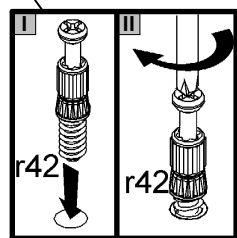


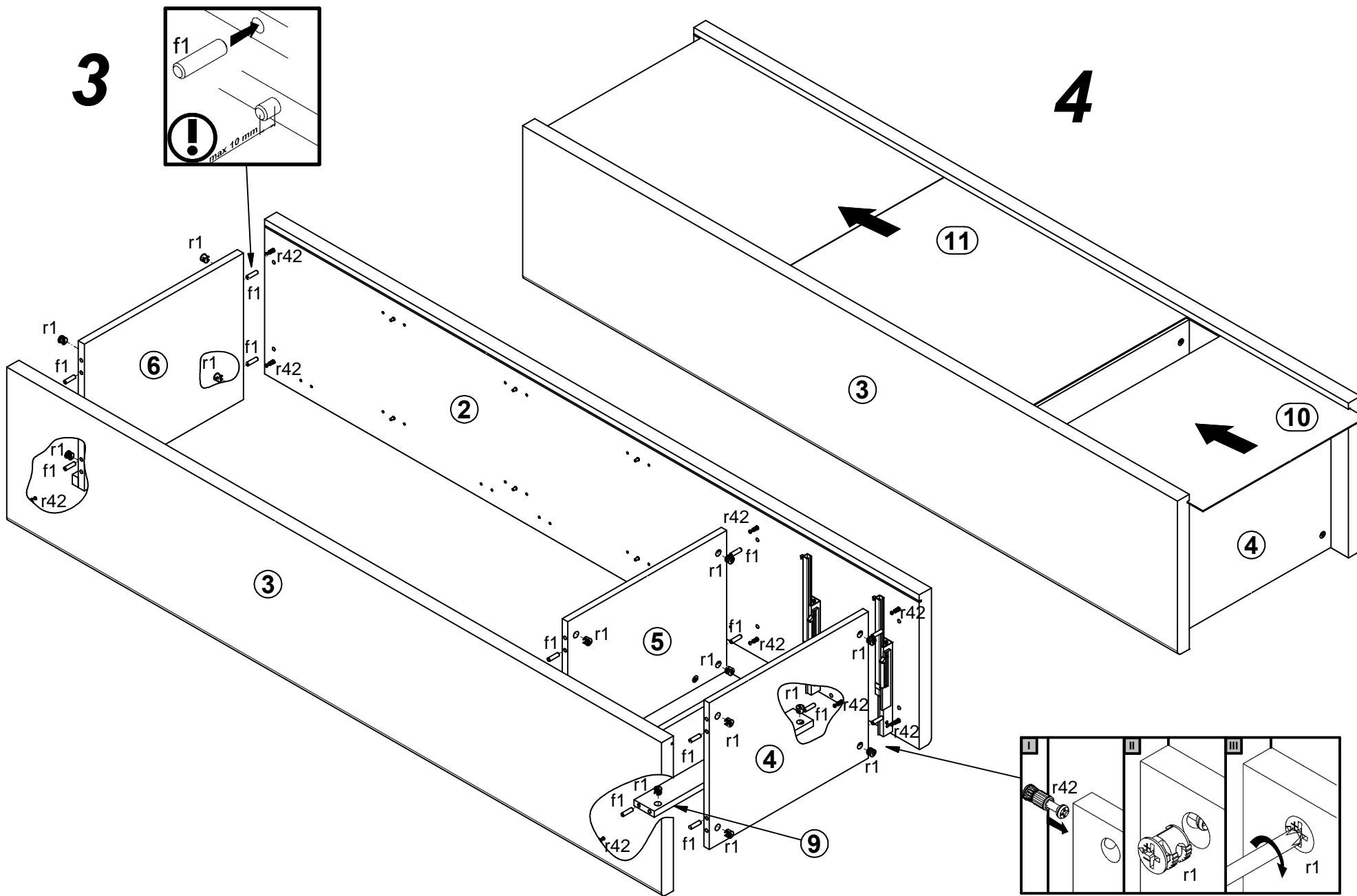
12x Ø5x17 mm d1	16x Ø6x13 mm e3	16x Ø8x30 mm f1	8x Ø6,5x40 mm f25	4x k1	10x l1	16x l2	4x 20x13x3,5/1 n108	2x Ø3,5x16 mm p25	2x Ø3,5x10 mm p35	8x Ø3,5x16 mm p38	8x Ø2,9x16 mm p55	16x Ø15x12 mm #16 r1
8x Ø12x10,5 mm #12 r15	24x r42	16x Ø5 s4	8x Ø12 s34	2x 350 mm t35	2x 350 mm W117/L	2x 350 mm W117/P	1x n26/1	1x Ø3,5x16 mm p38				

1



2



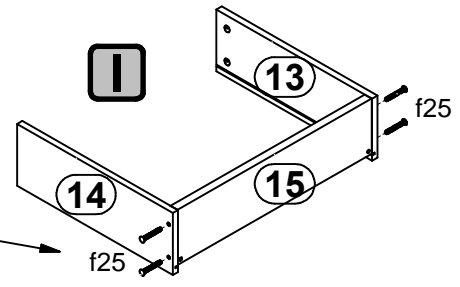
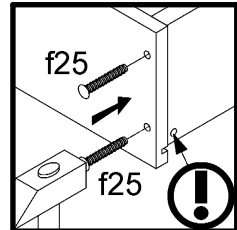
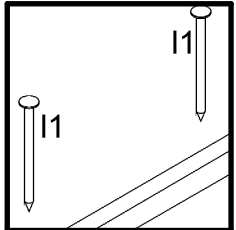
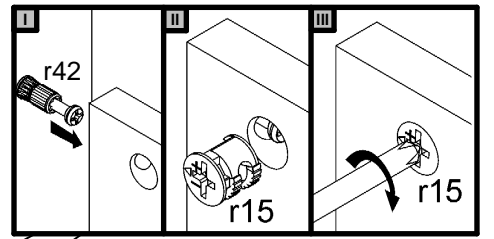


6

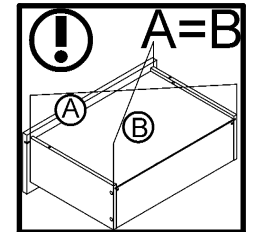
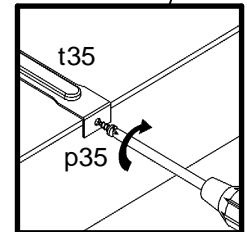
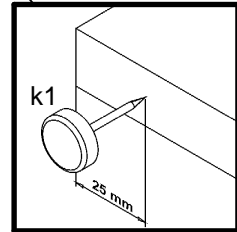
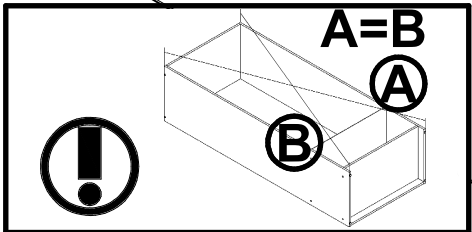
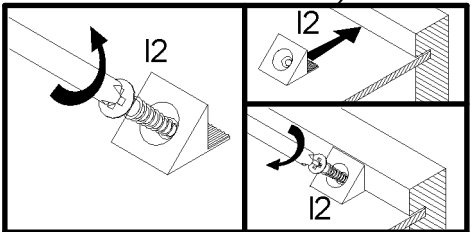
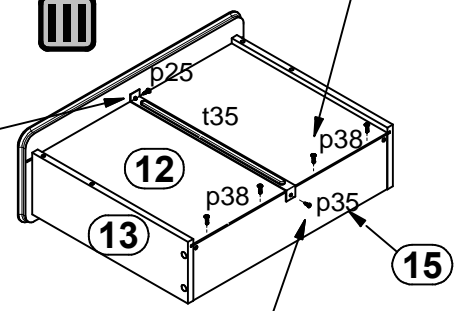
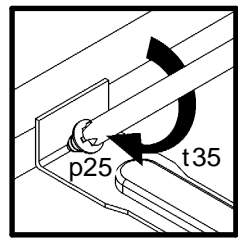
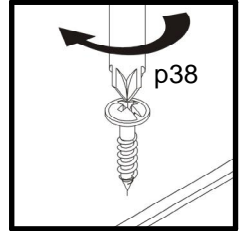
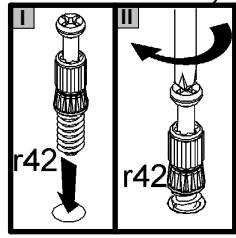
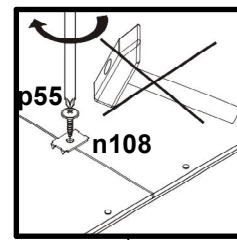
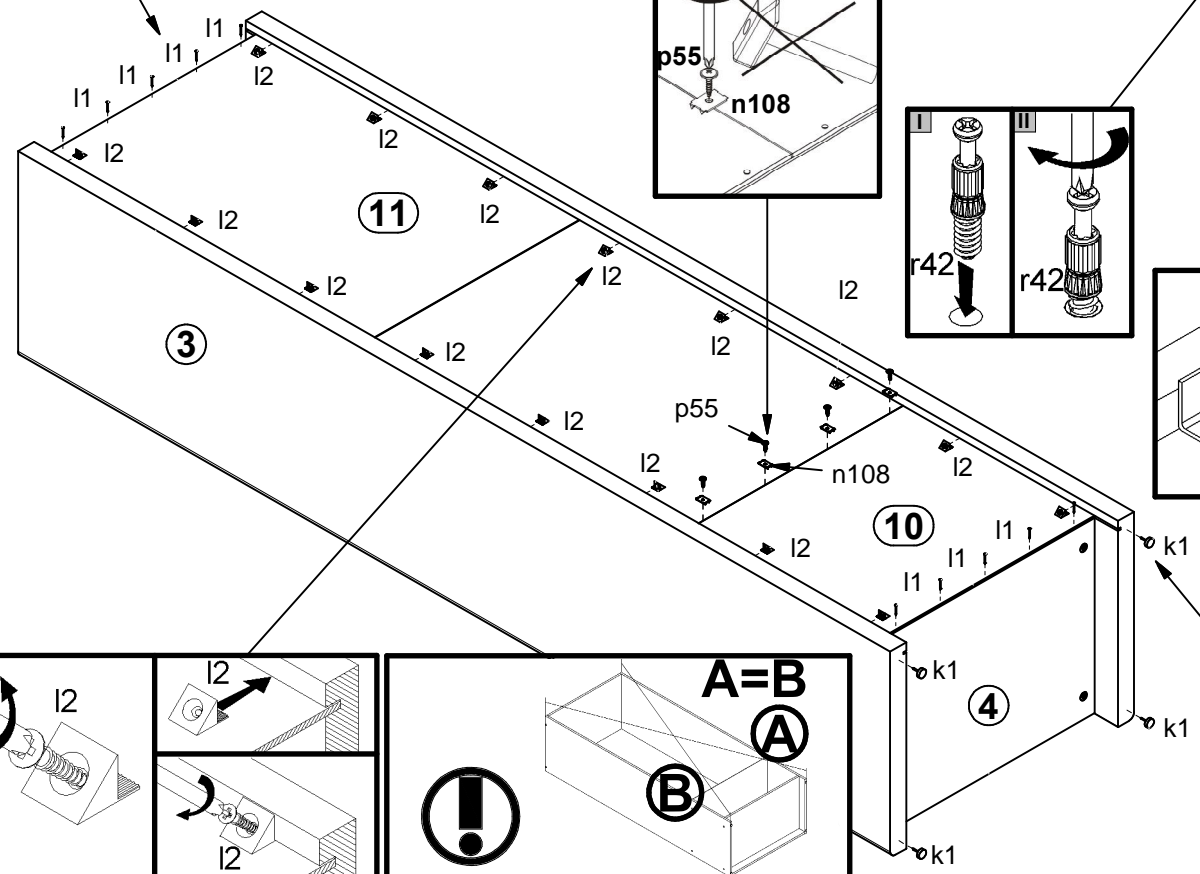


I

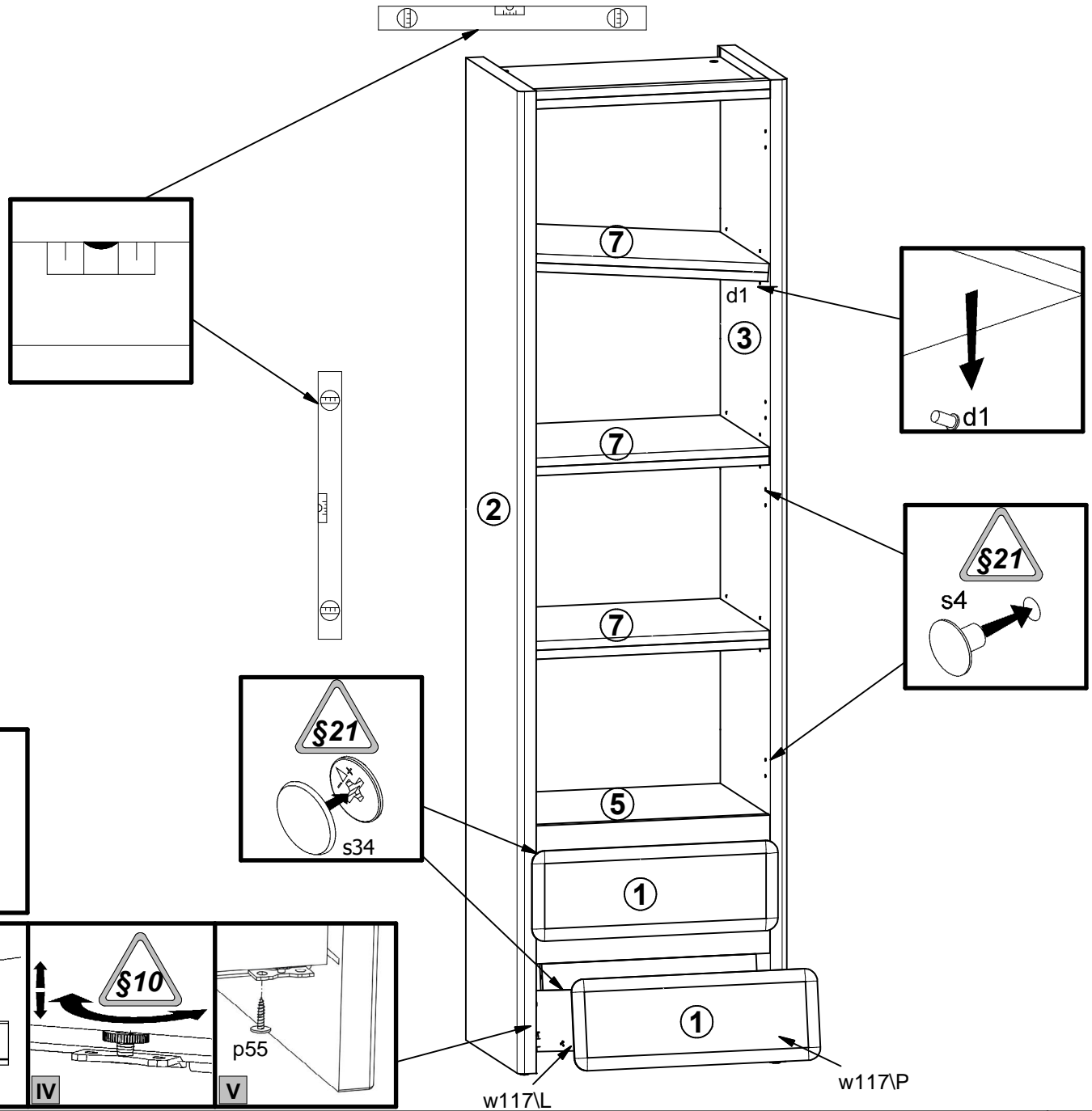
II



5



7



This block contains three safety and handling instructions:

- §18**: A warning symbol with an exclamation mark and a triangle. It includes the text 'n26\1' and 'p38'. An illustration shows a hand using a screwdriver.
- A warning symbol with a triangle and a slash, showing a hand holding a cloth with liquid dripping from it, indicating a warning against using wet cloths.
- An illustration of a hand holding a cloth, likely indicating a cleaning instruction.

This block contains five detailed assembly steps labeled I through V:

- I**: Shows a hand adjusting a component at the bottom of the cabinet.
- II**: Shows a hand pushing a component into place.
- III**: Shows a hand inserting a screw into a hole.
- IV**: Shows a hand turning a knob or screw, with a warning symbol §10 and a double-headed arrow indicating adjustment.
- V**: Shows a hand inserting a screw (p55) into a hole.