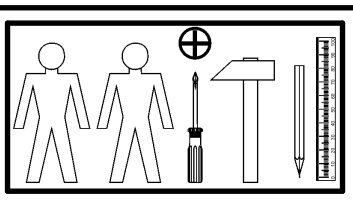
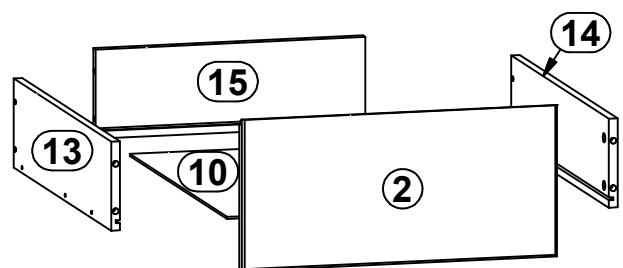
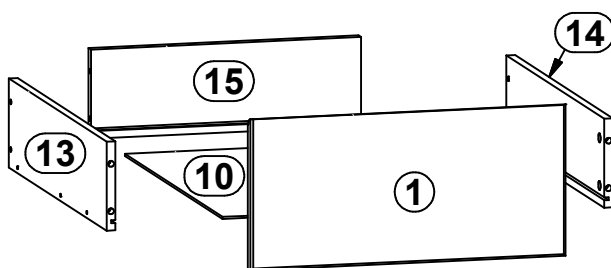
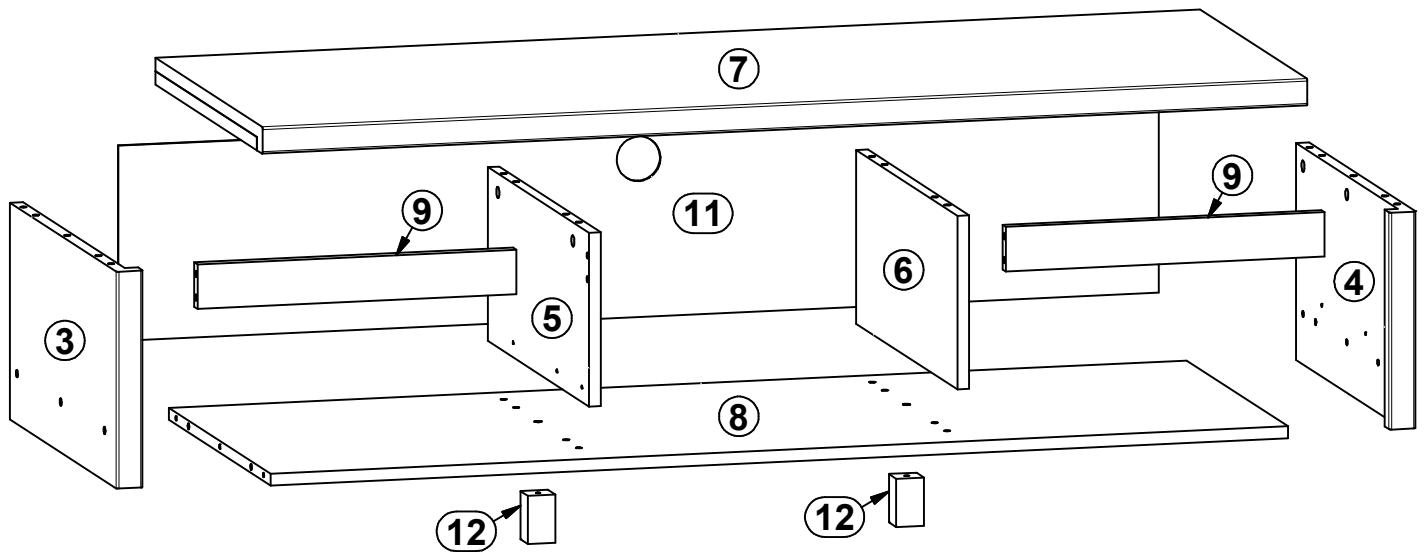
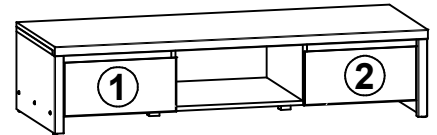


# KASPIAN

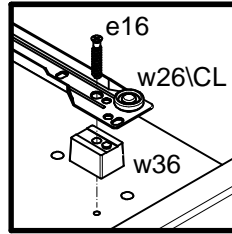
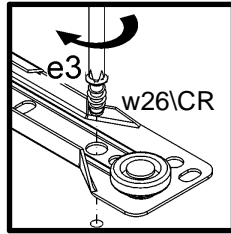
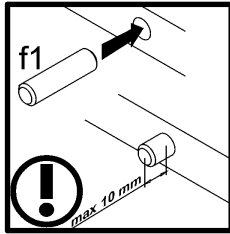
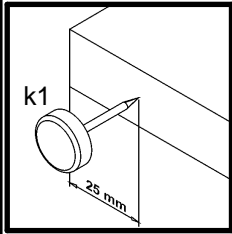
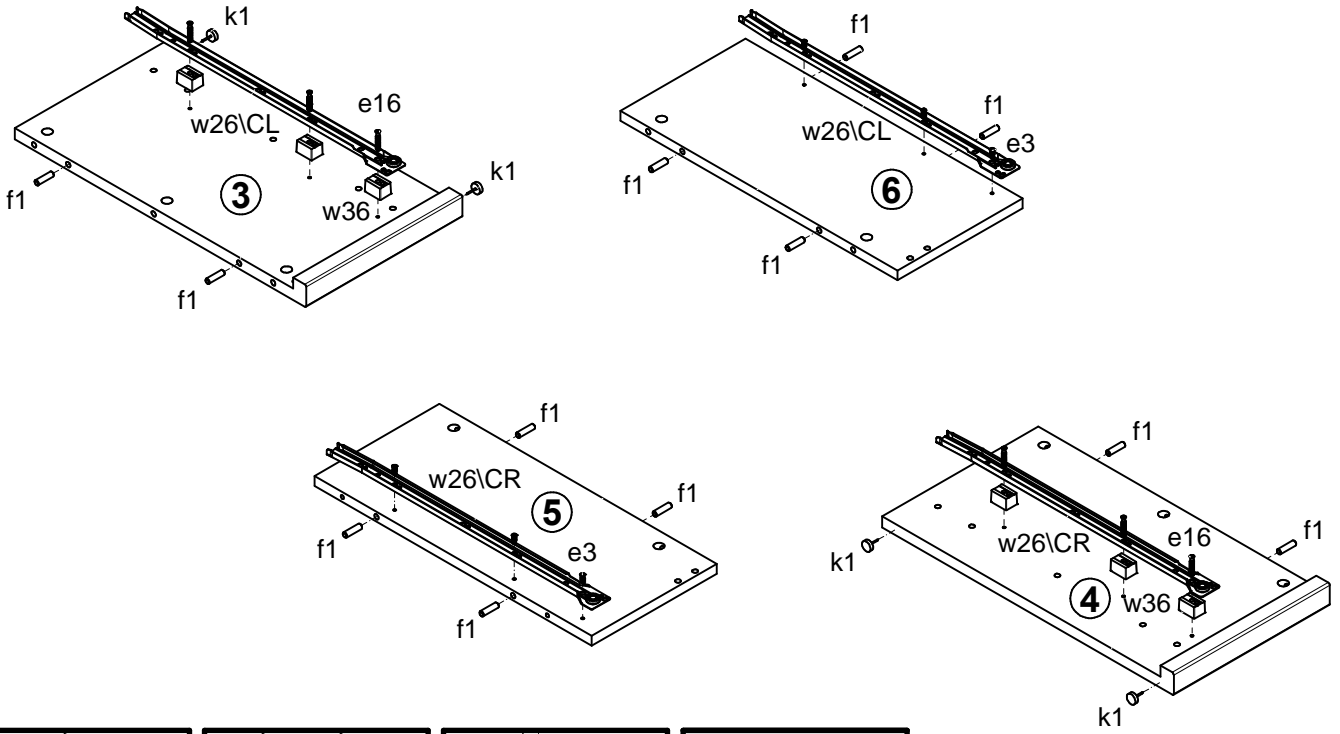
# S128-RTV2S

A	B	C	D
1	S128-014	432	204
2	S128-015	432	204
3	S128-124	292	546
4	S128-125	292	546
5	S128-126	234	519
6	S128-127	234	519
7	S128-208	1432	549
8	S128-314	1395	520
9	S128-408	437	60
10	S128-915	381	498
11	S128-916	263	1426
12	ZN1-501	65	38
13	ZS2-509	500	120
14	ZS2-510	500	120
15	ZS2-5523	370	120

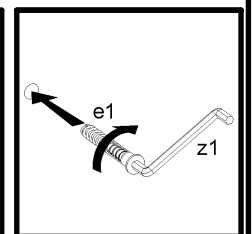
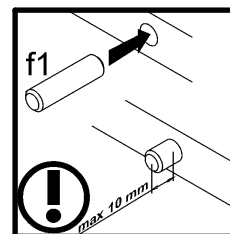
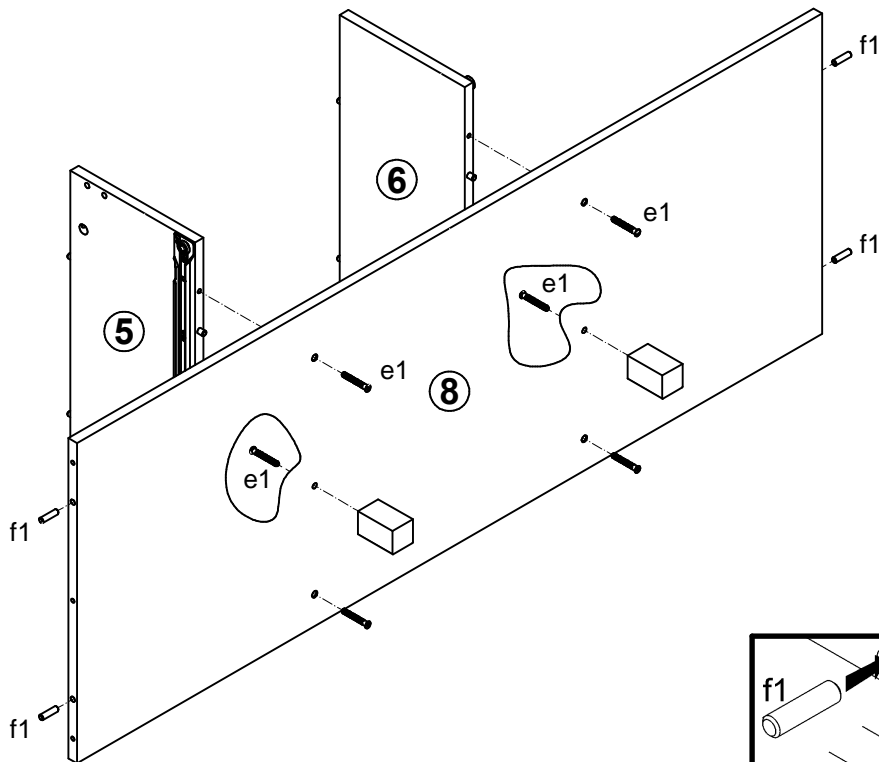


12x  φ7x50 mm <b>e1</b>	6x  φ6x30 mm <b>e16</b>	12x  φ5x9 mm <b>e19</b>	6x  φ6x13 mm <b>e3</b>	24x  φ8x30 mm <b>f1</b>	8x  φ6.5x40 mm <b>f25</b>	4x  <b>k1</b>	40x  <b>l1</b>	10x  φ1.5x12mm #16 <b>r1</b>
8x  φ12x10.5mm #12 <b>r15</b>	18x  <b>r42</b>	6x  <b>s1</b>	2x  500 mm <b>w26\CL</b>	2x  500 mm <b>w26\CR</b>	2x  500 mm <b>w26\DL</b>	2x  500 mm <b>w26\DR</b>	6x  l=18 mm <b>w36</b>	1x  <b>z1</b>

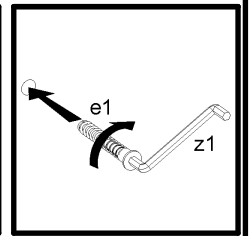
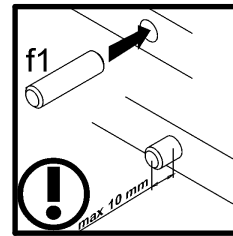
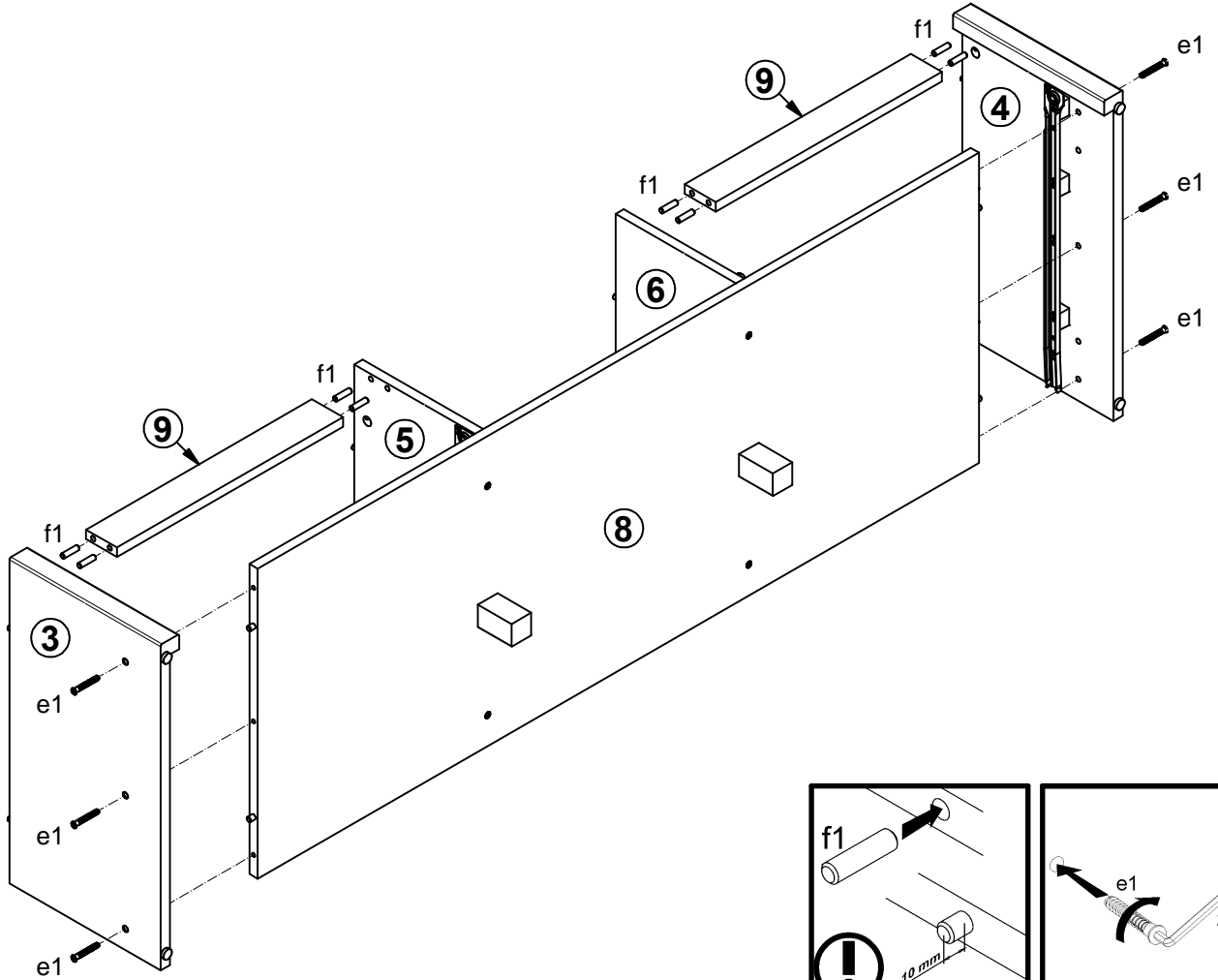
# 1



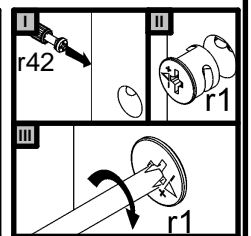
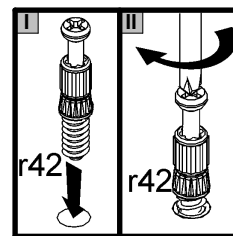
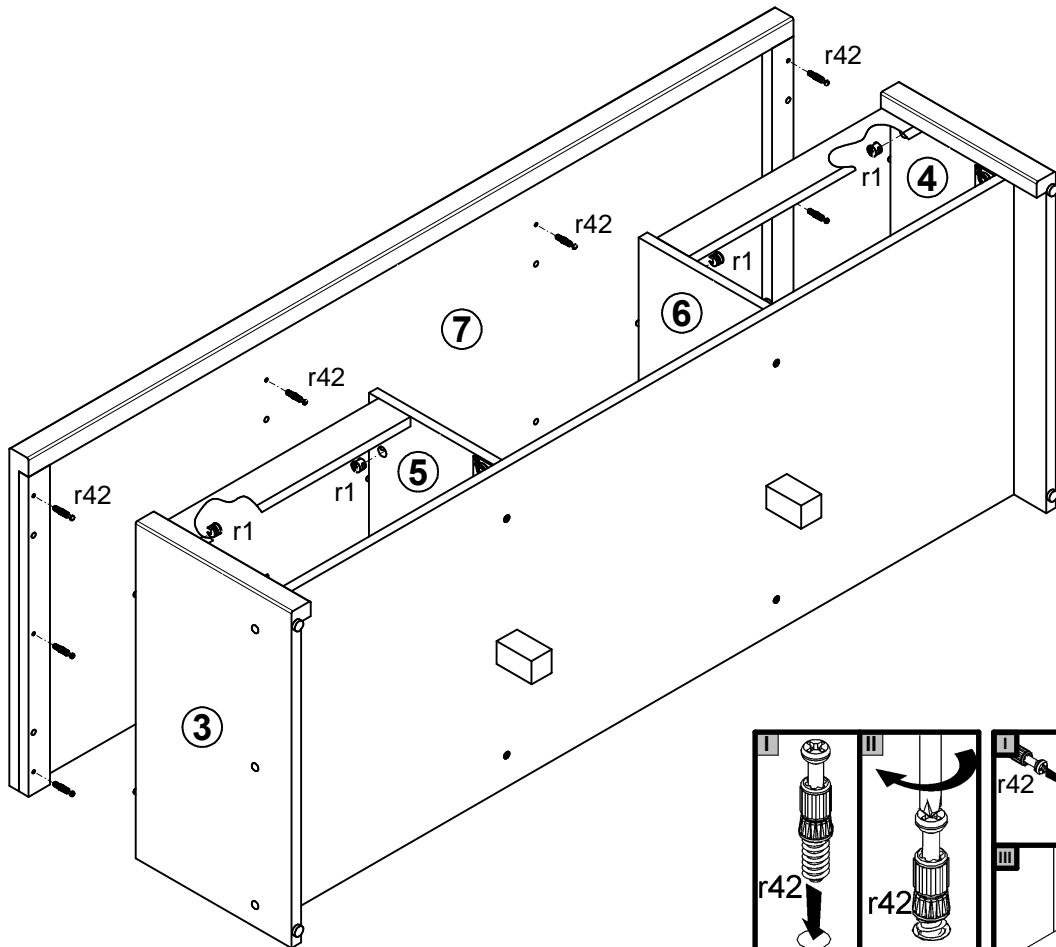
# 2

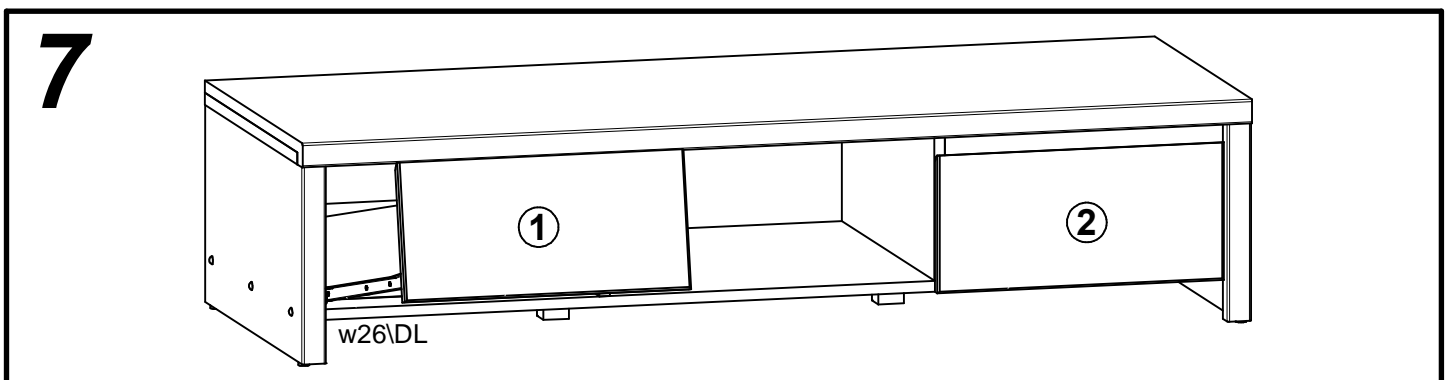
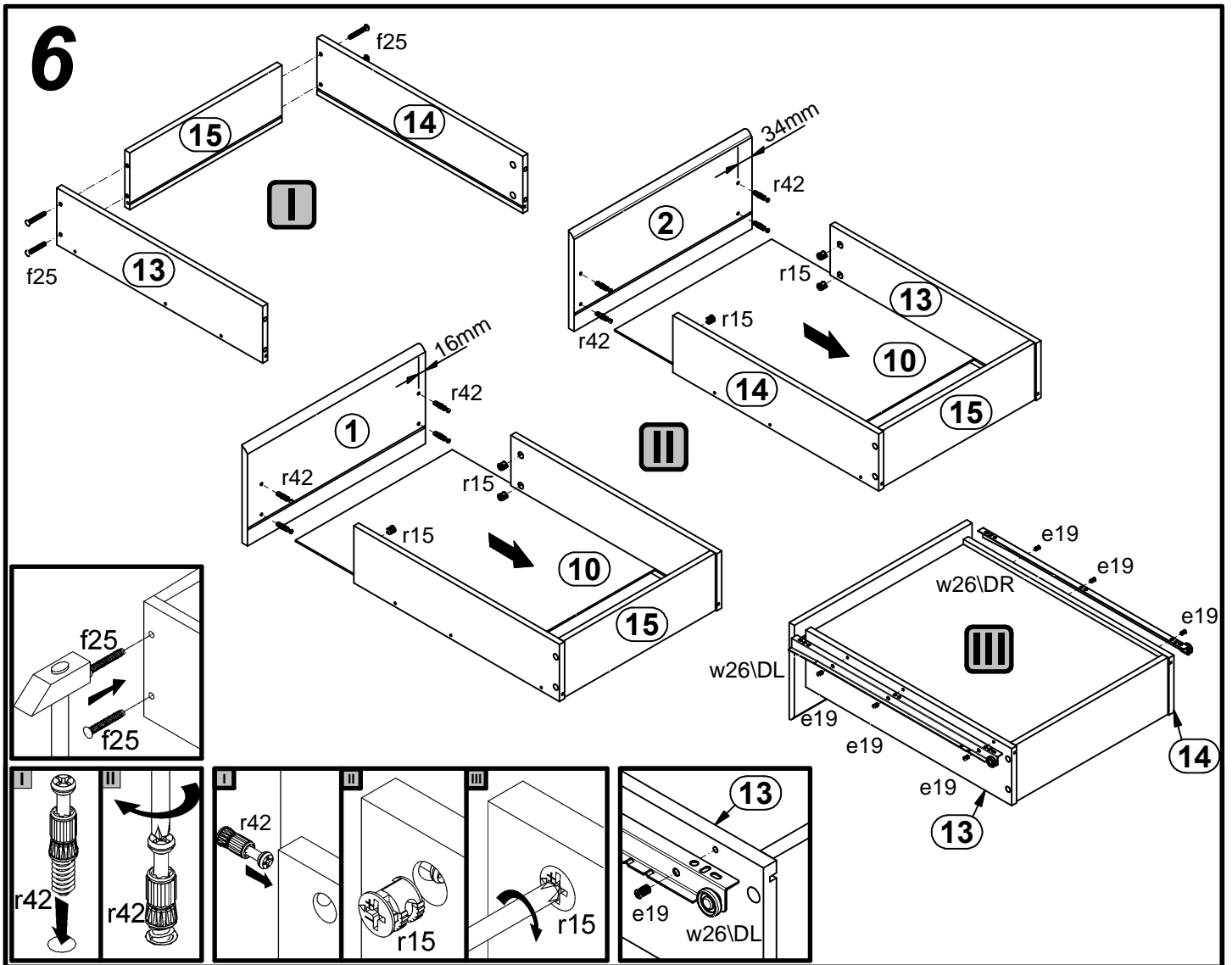
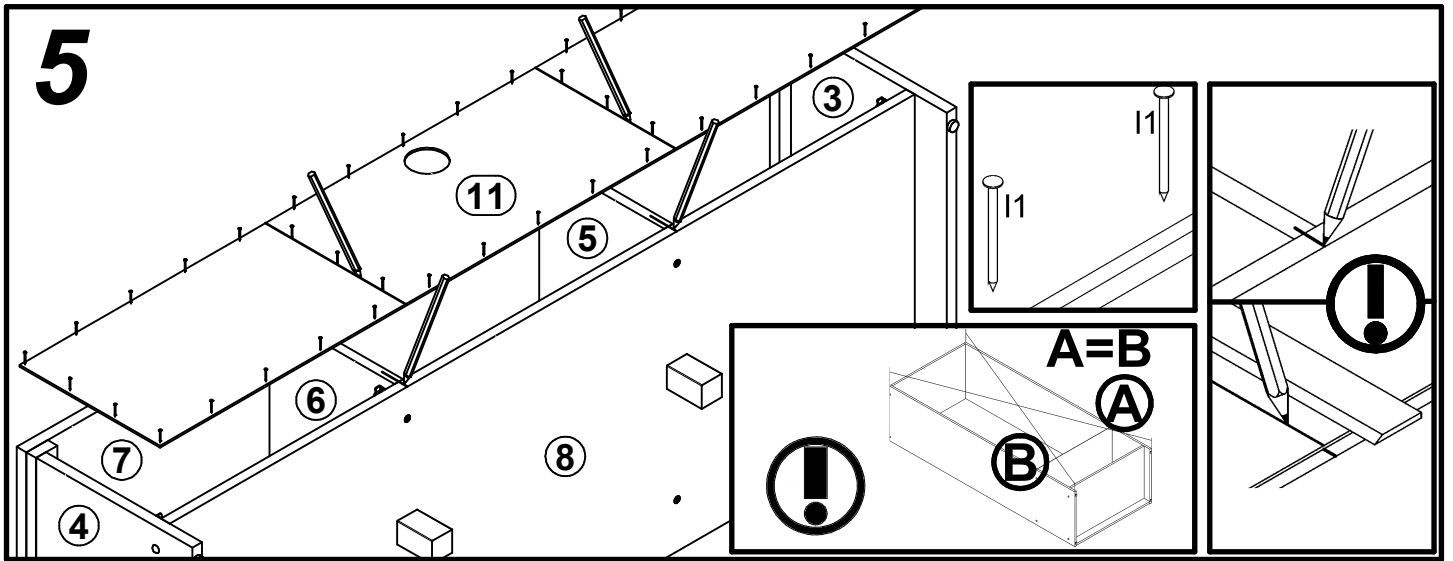


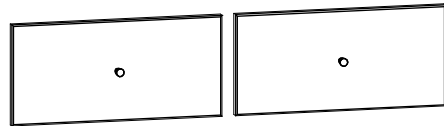
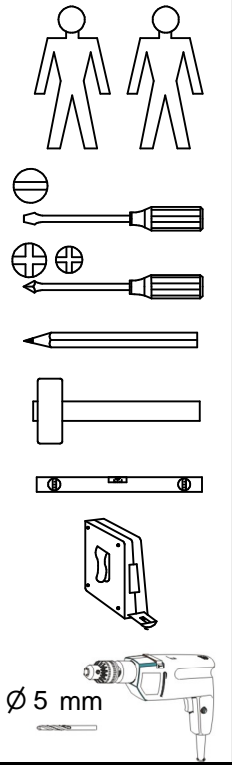
# 3



# 4







A	B	C (mm)	D
1	S264-0020	204	432
2	S264-0021	204	432

