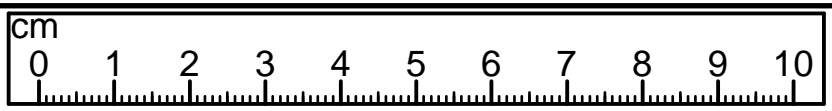
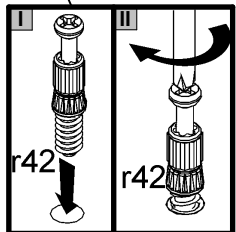
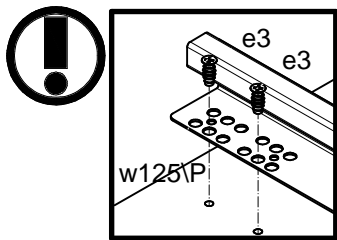
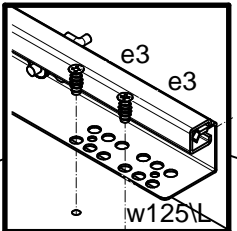
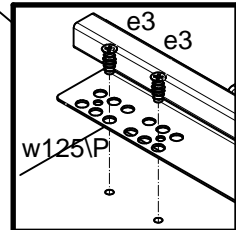
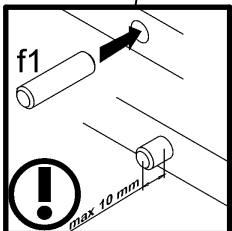
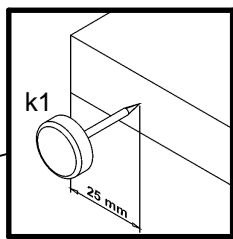
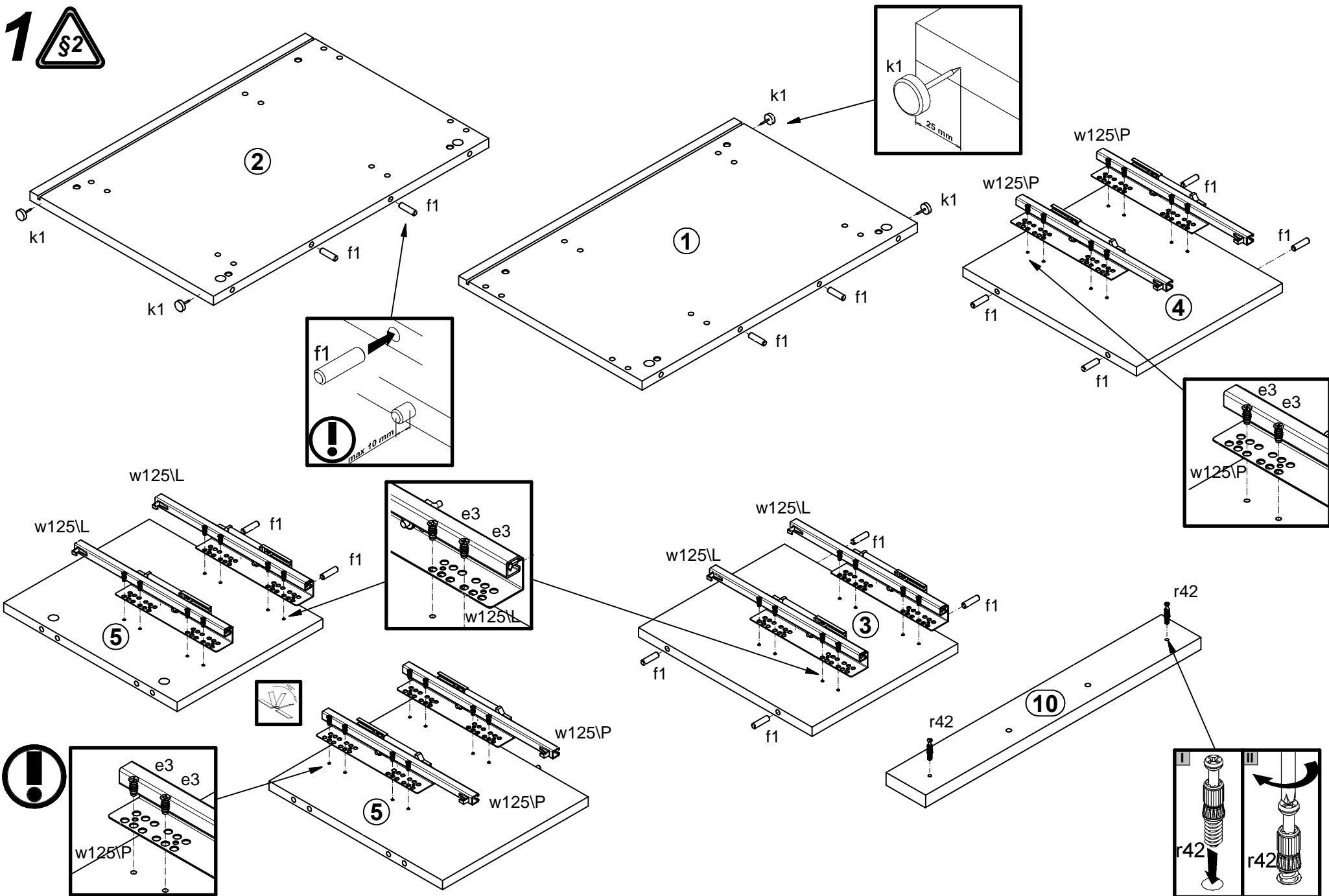


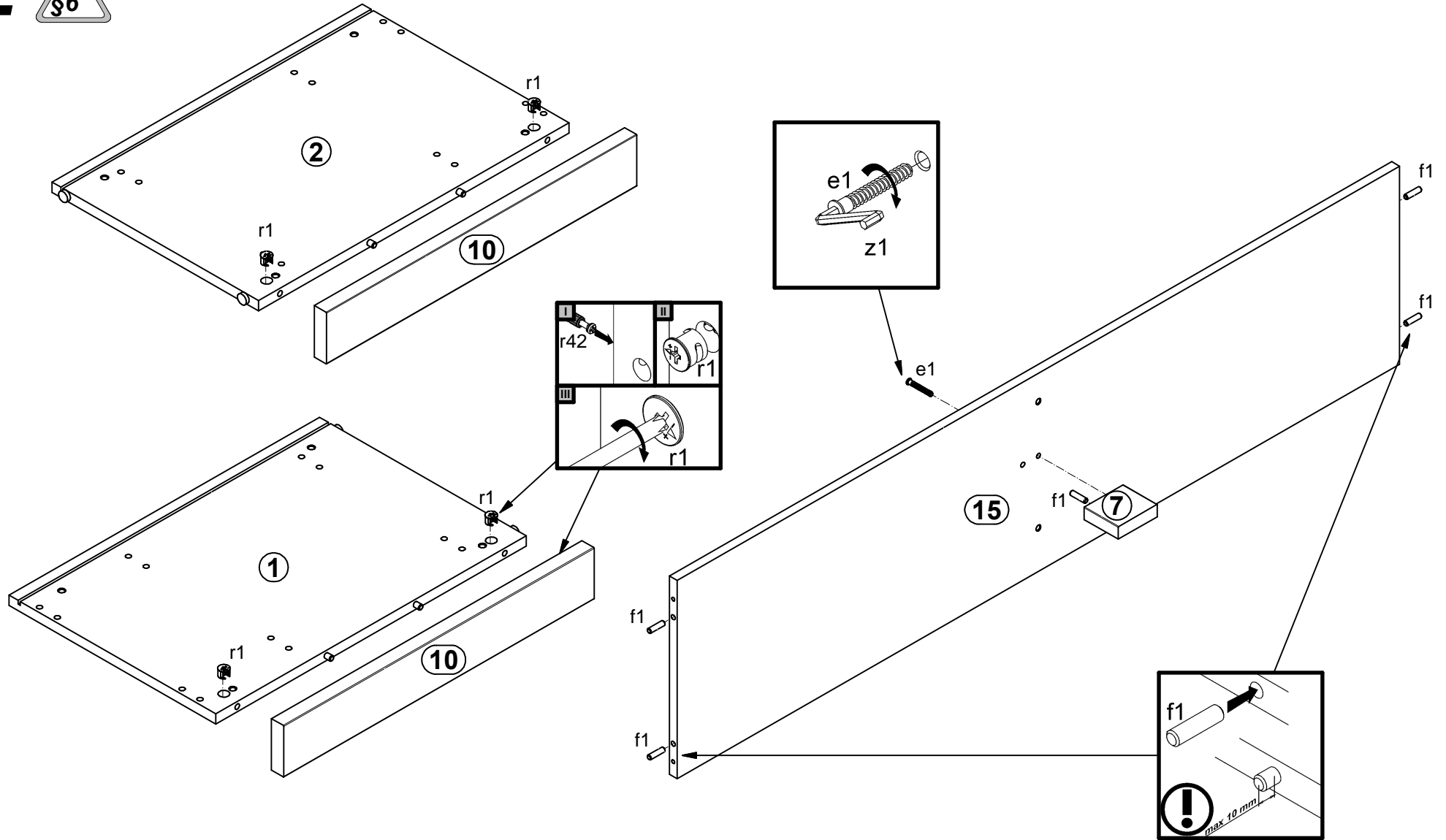
A	B	C (mm)		D
1	S214-123	557	371	1/2
2	S214-124	557	371	1/2
3	S214-125	295	351	2/2
4	S214-126	295	351	2/2
5	S214-127	295	351	2/2
6	S214-128	143,5	300	2/2
7	S214-5505	70	80	1/2
8	S214-5521	557	80	1/2
9	S214-5522	557	58	1/2
10	S214-5523	557	80	1/2
11	S225-013	695	160	1/2
12	S225-014	695	160	1/2
13	S225-202	1570	400	1/2
14	S225-304	1482	351	2/2
15	S225-305	1482	351	2/2
16	S225-306	1482	351	2/2
17	S225-903	1492	485	1/2
18	WSP-940	661	308	1/2
19	WSQ2-503	300	100	1/2
20	WSQ2-504	300	100	1/2
21	WTQ-5037	552	87	1/2



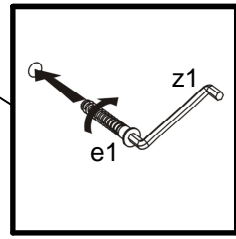
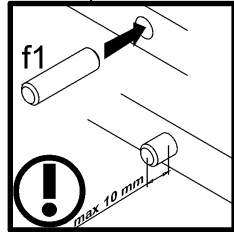
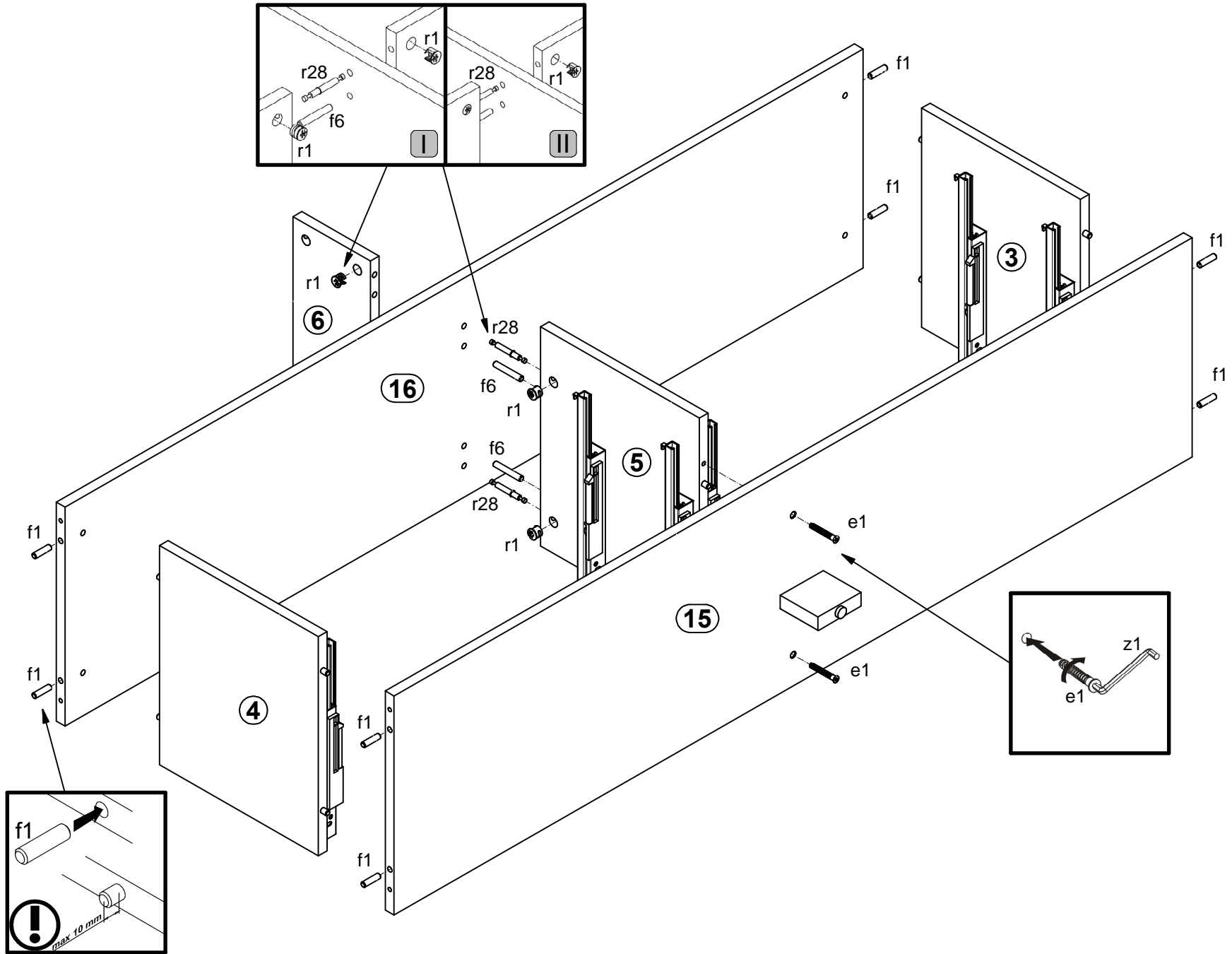
4x c402	15x Ø7x50 mm e1	14x Ø7x28 mm e22	32x Ø6x13 mm e3	29x Ø8x30 mm f1	16x Ø6,5x40 mm f25	2x Ø8x50 mm f6	5x k1	39x l1	6x l2	4x Ø3,5x16 mm p25	4x Ø3,5x10 mm p35	24x Ø3,5x16 mm p38
8x M4x25 mm j8	10x Ø15x12 mm #16 r1	16x Ø12x10,5 mm #12 r15	2x 36/20 mm r28	22x r42	10x s1	6x Ø16 s2	4x 300 mm t25	4x 300mm w125L	4x 300mm w125P	1x z1		

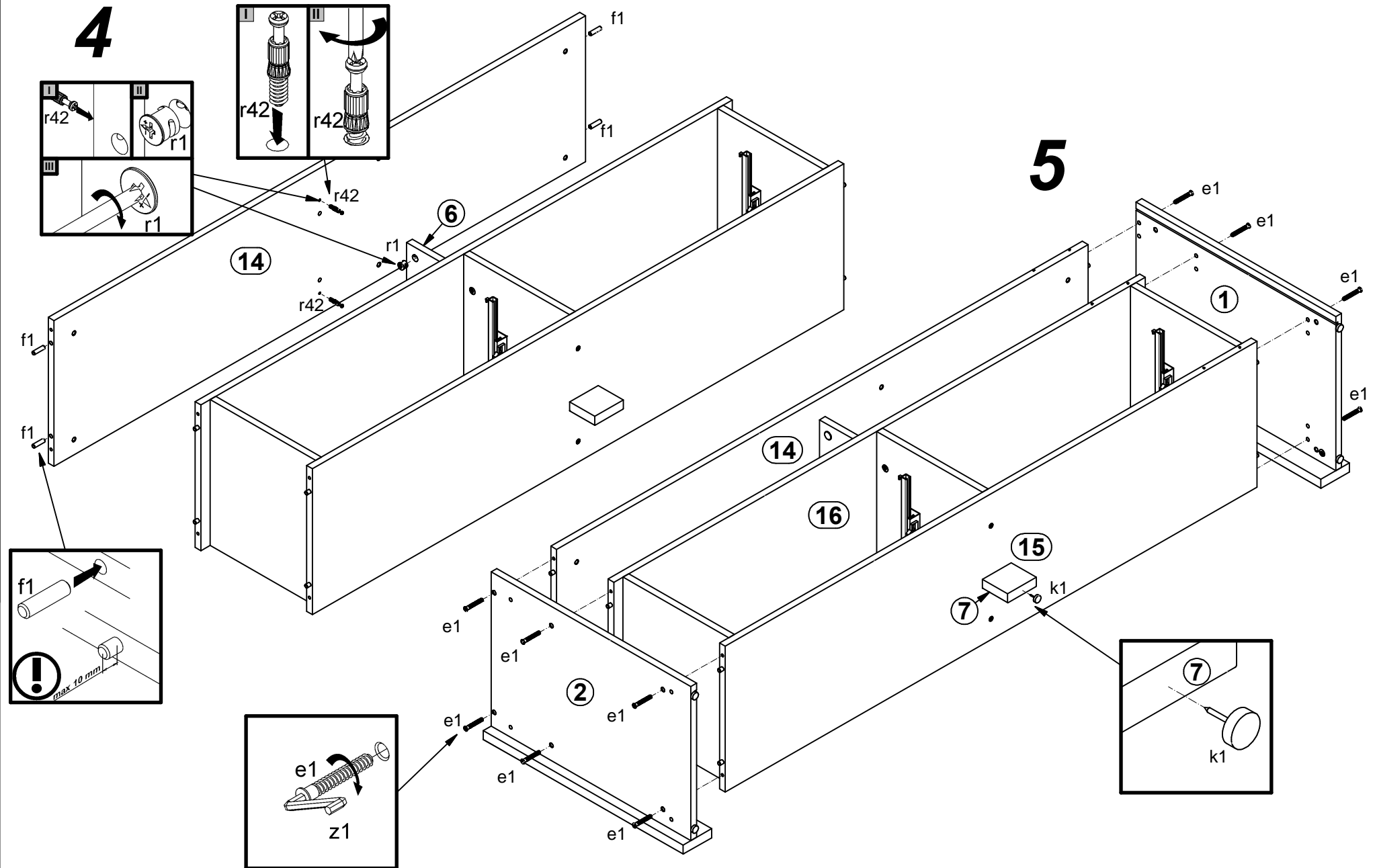


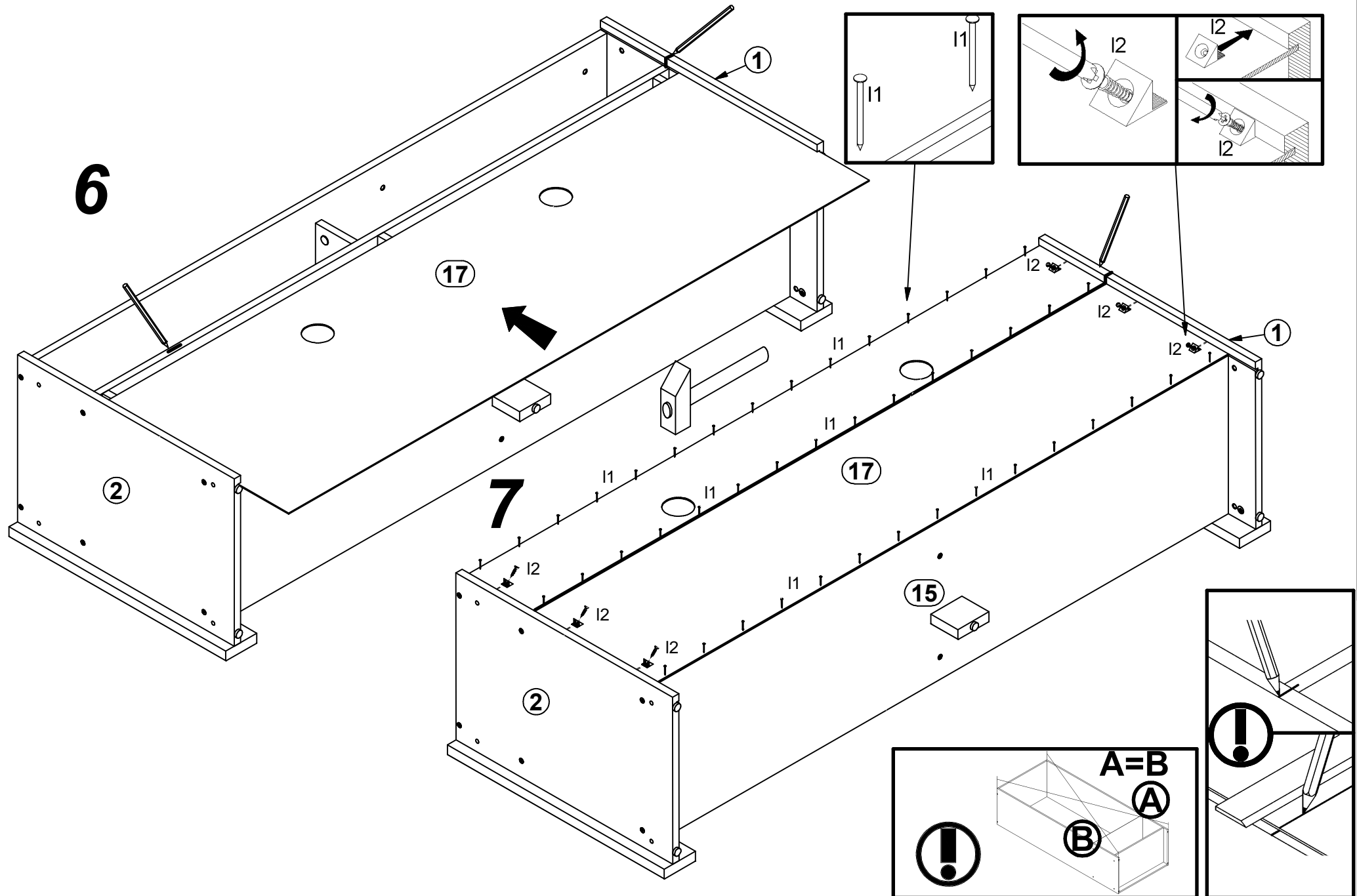
2



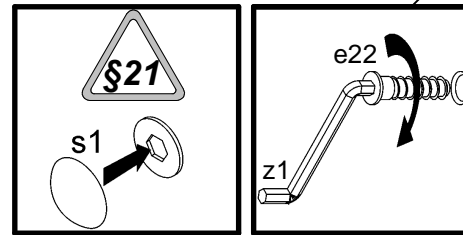
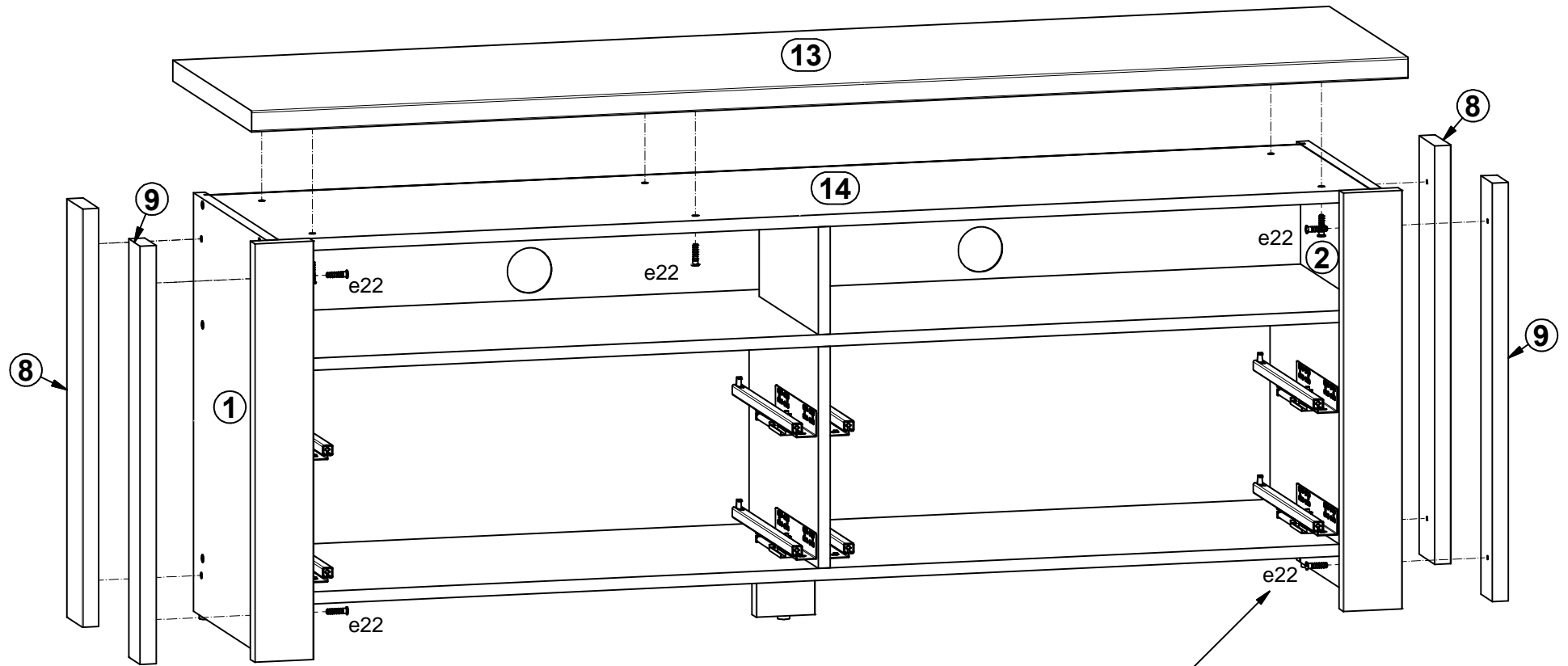
3



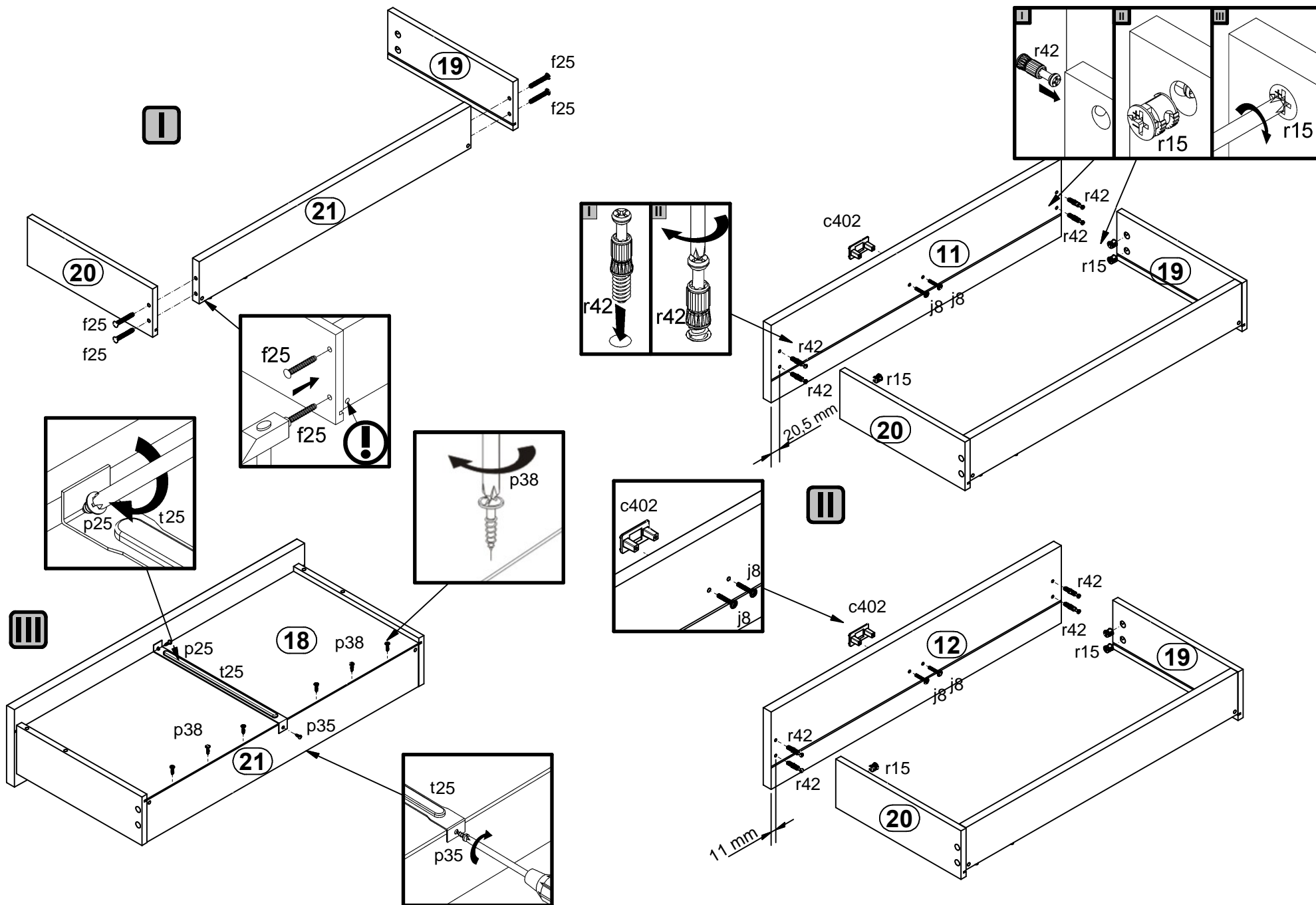




8



9



10

