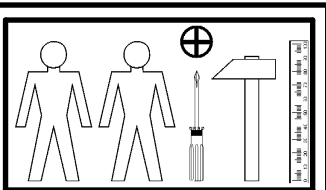
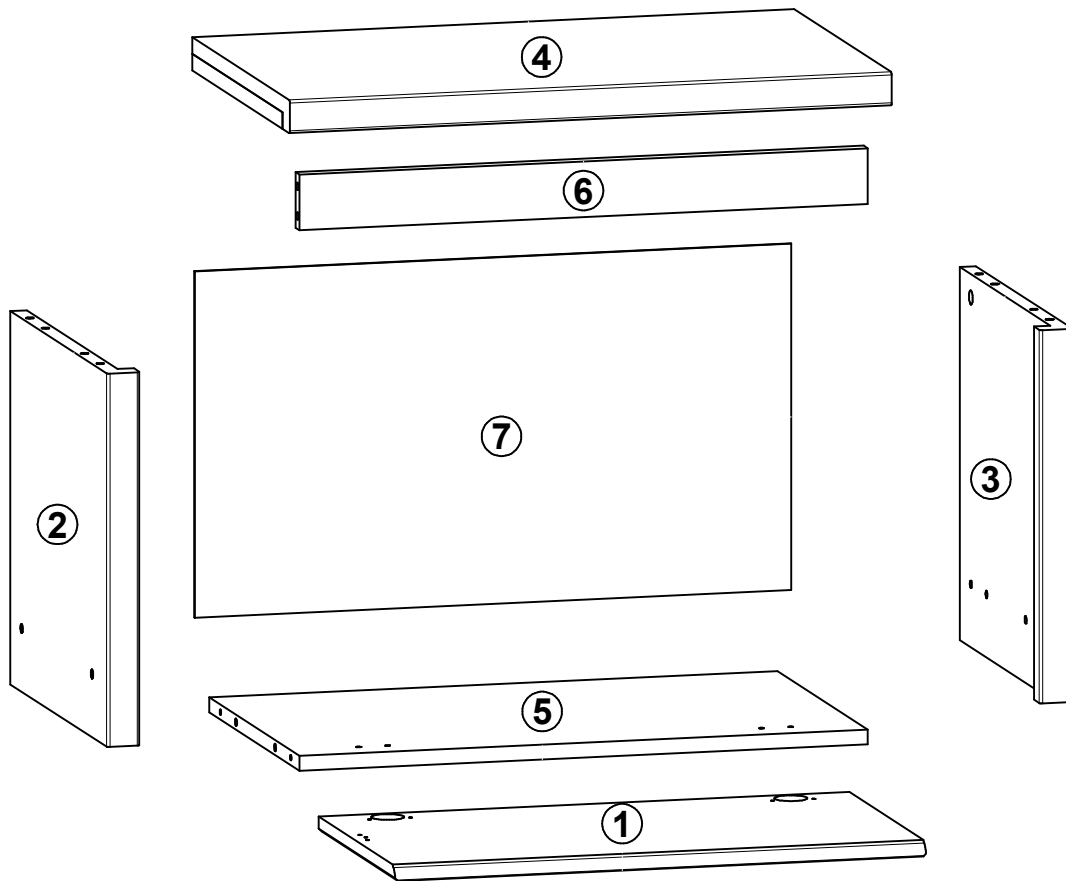
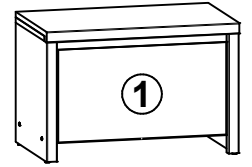


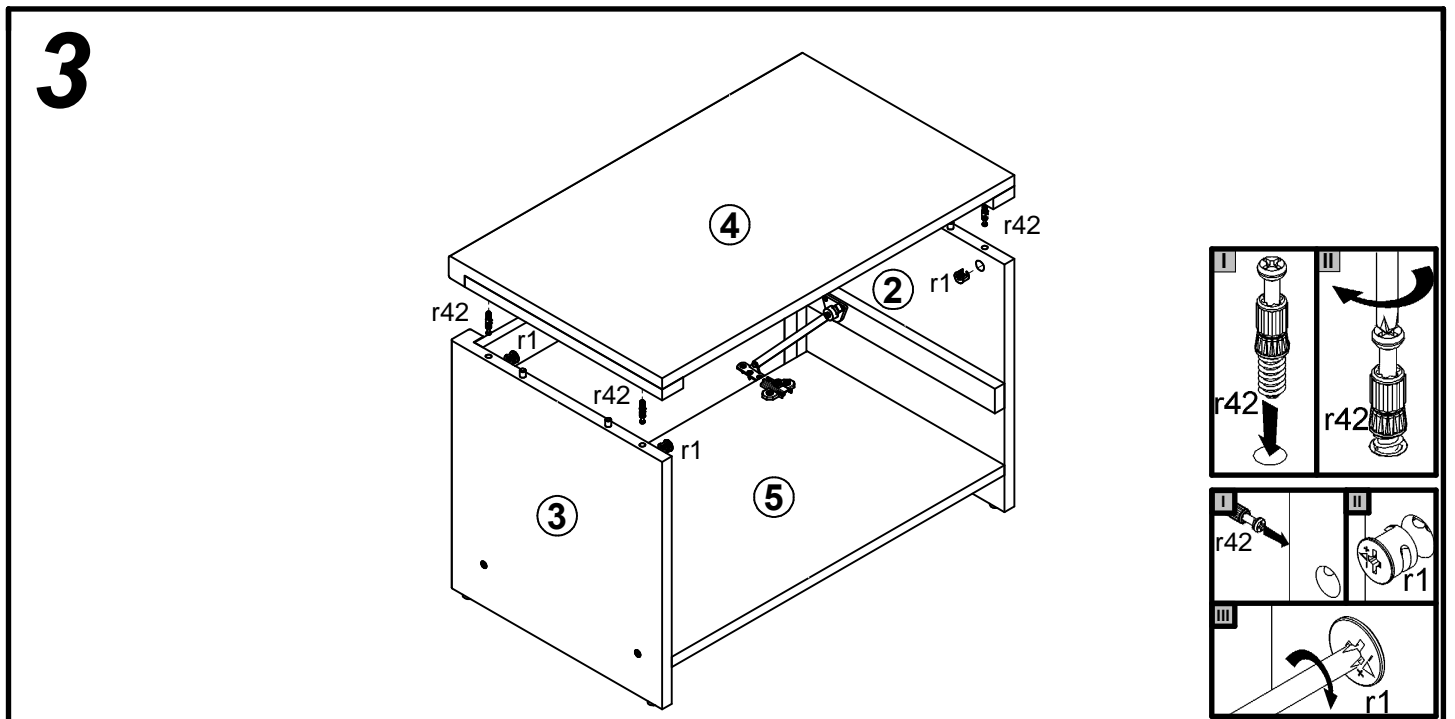
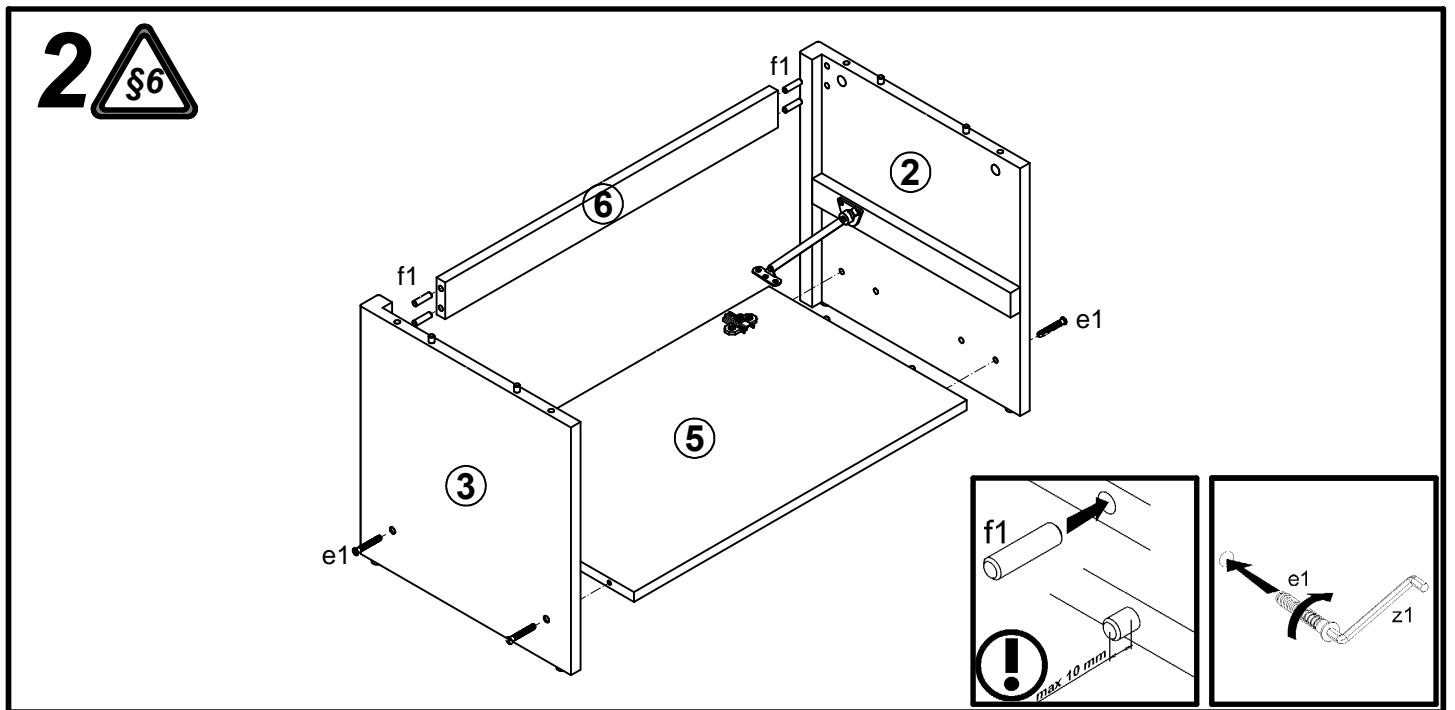
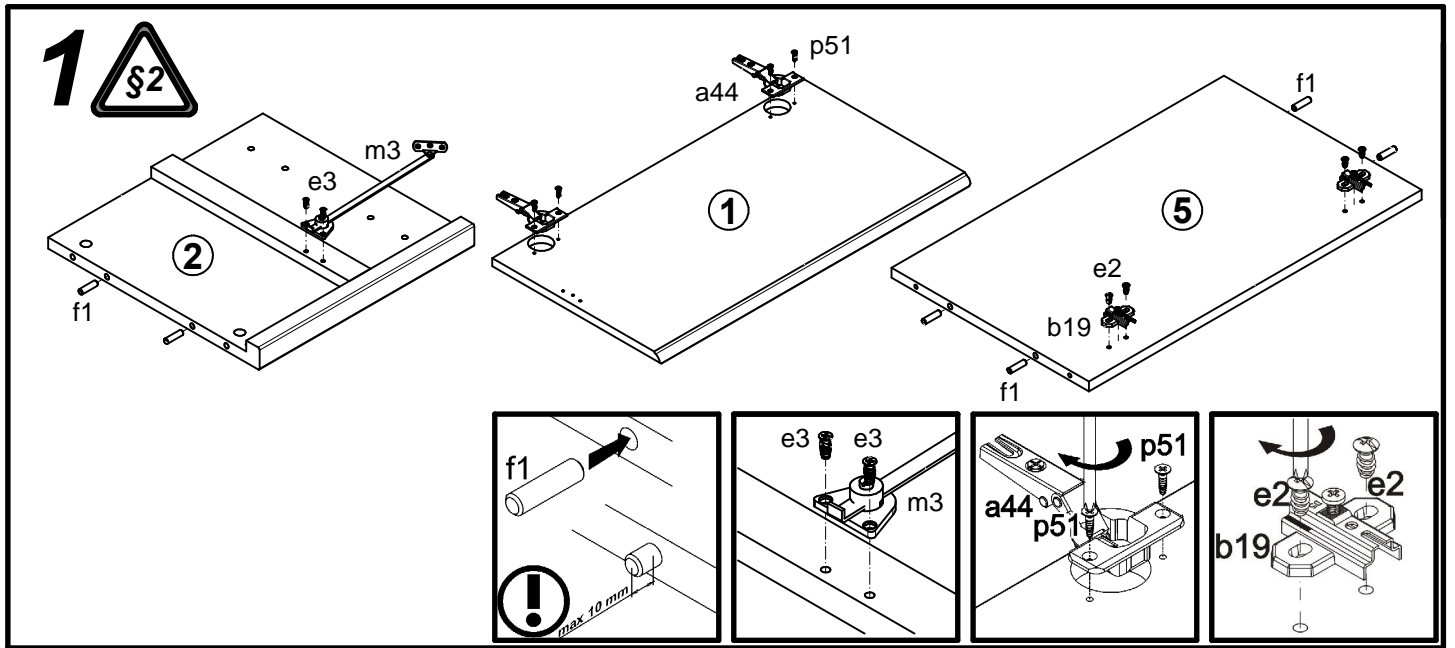
# KASPIAN

## S128-SBUT/60

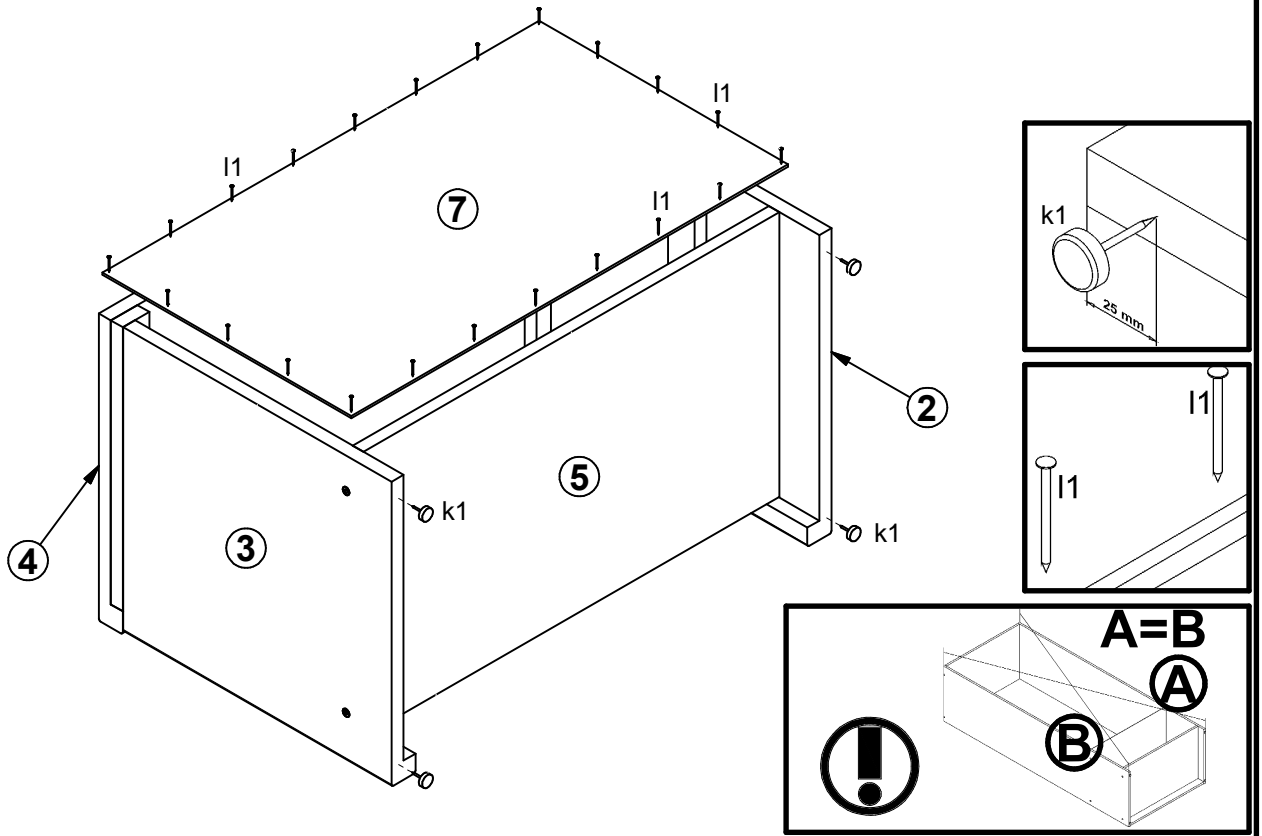
A	B	C	D
1	S128-022	582	314 2/2
2	S128-143	402	396 1/2
3	S128-144	402	396 1/2
4	S128-214	660	399 1/2
5	S128-325	623	370 1/2
6	S128-418	623	60 1/2
7	S128-924	373	654 1/2



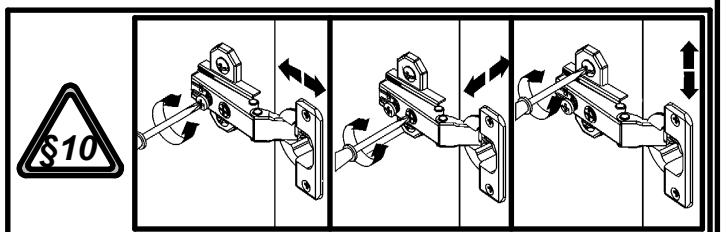
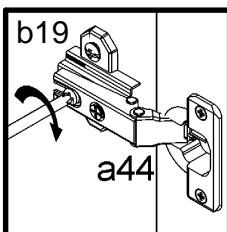
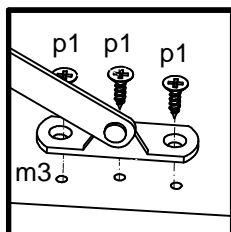
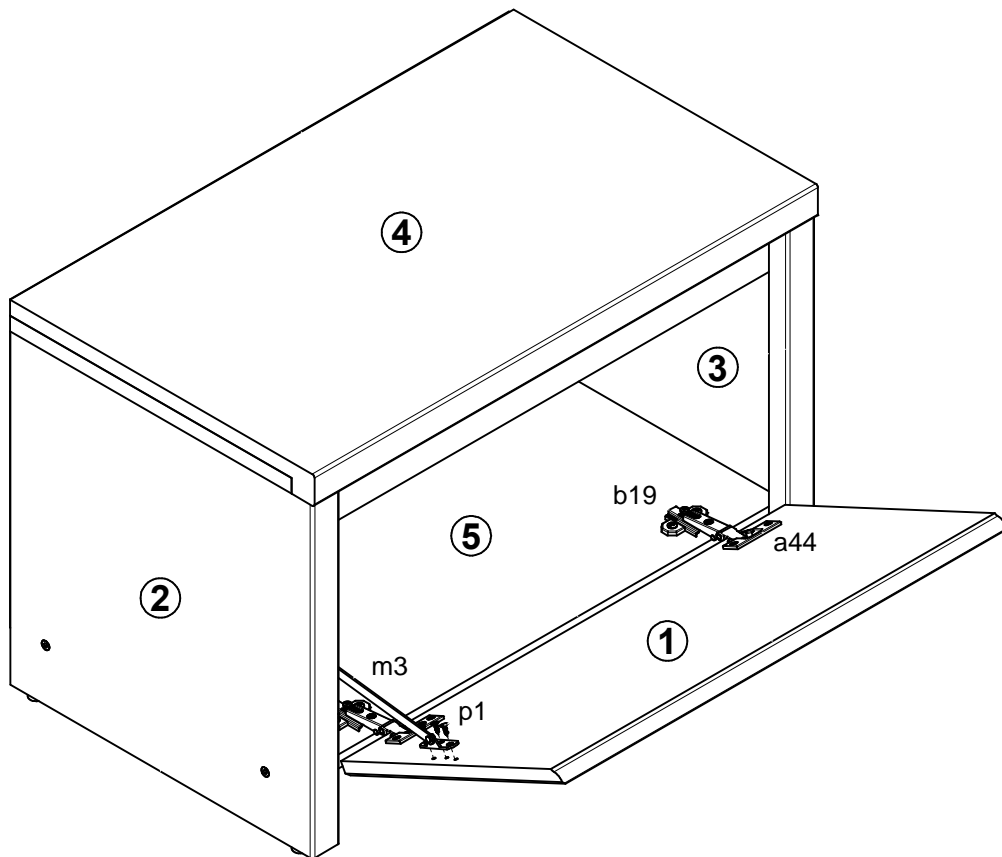
2x  a44	2x  b19	4x  φ7x50 mm e1	4x  φ6,3x13 mm e2	2x  φ6x13 mm e3	12x  φ8x30 mm f1	4x  k1	20x  l1	1x  L=236 m3
3x  φ3,5x13 mm p1	4x  φ3,5x15 mm p51	4x  φ15x12mm #16 r1	4x  r42	1x  z1	4x  s1			

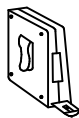
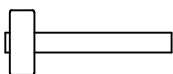
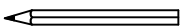
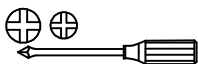
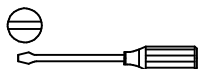
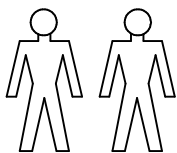


# 4



# 5





A	B	C (mm)		D
1	S264-0025	314	582	2/2

