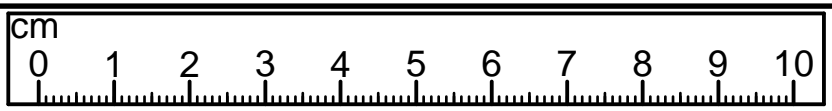
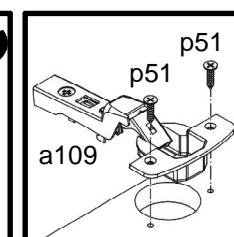
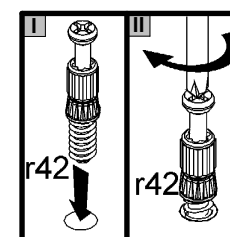
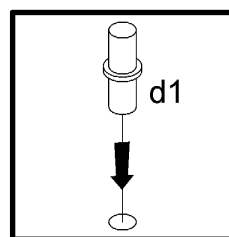
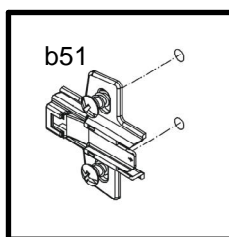
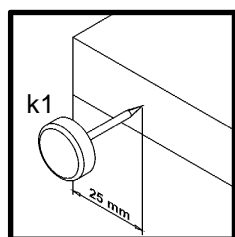
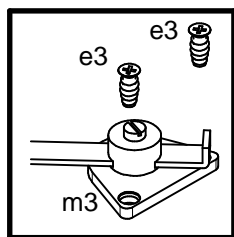
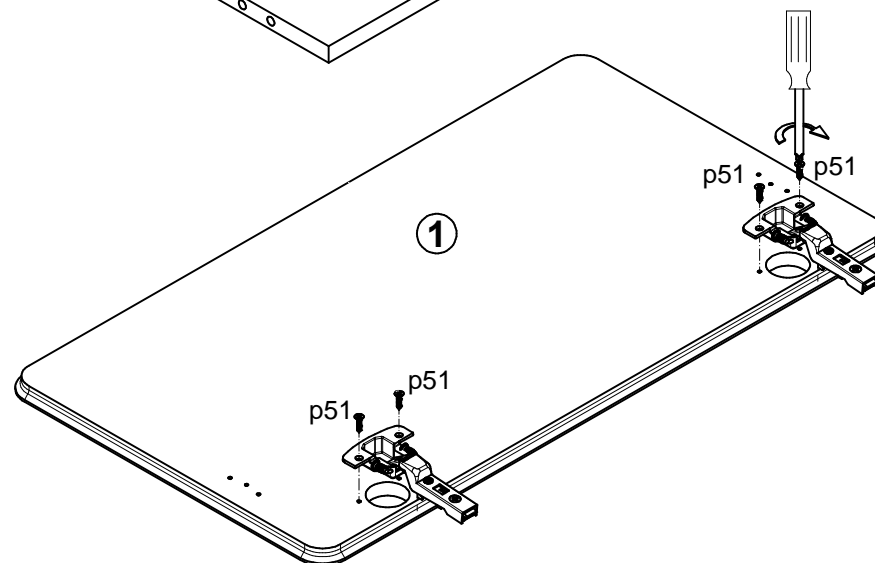
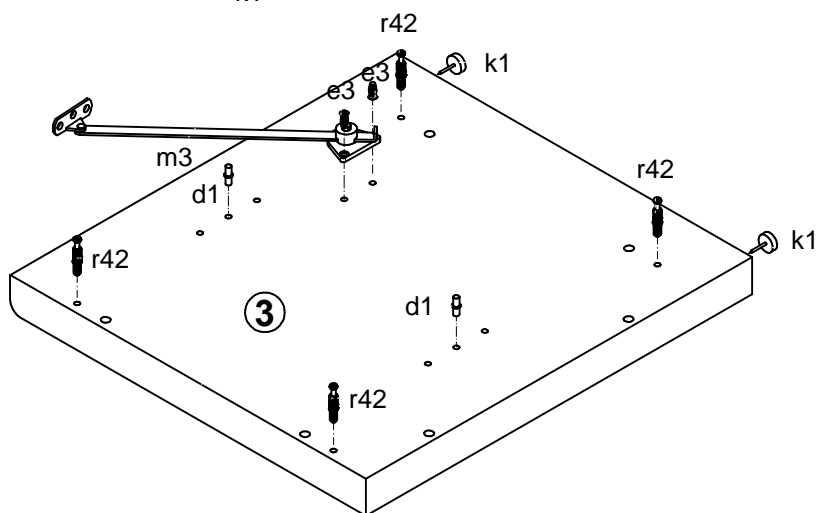
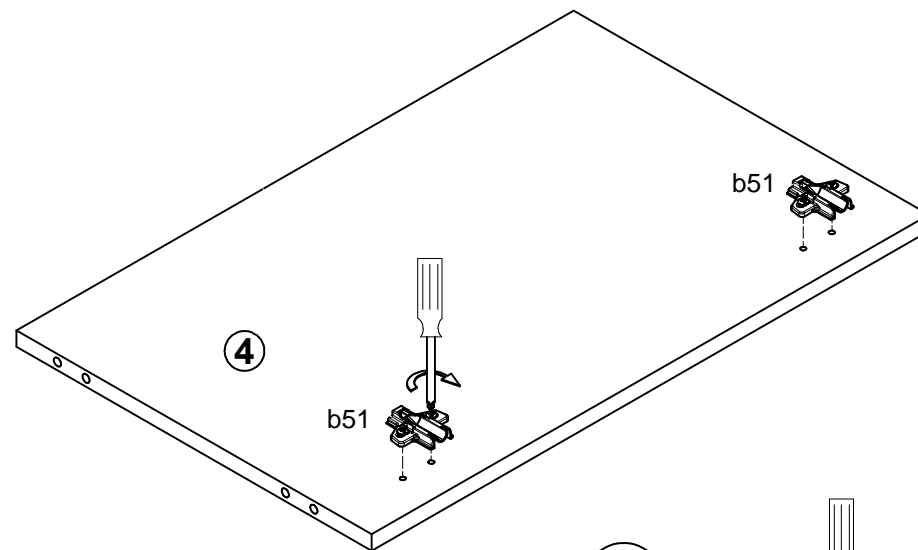
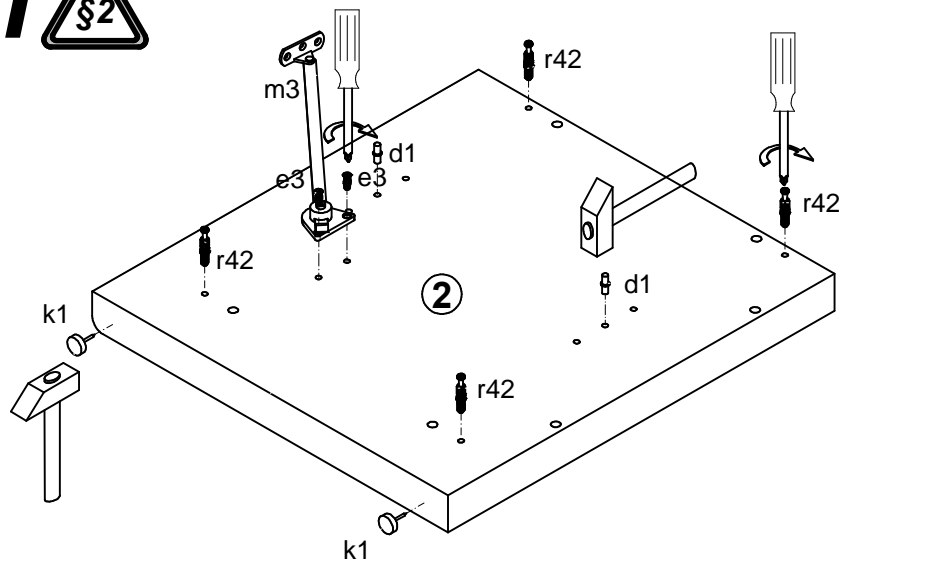


A	B	C (mm)		D
1	S221-021	360	650	1/1
2	S221-156	434	400	1/1
3	S221-157	434	400	1/1
4	S221-361	626	399	1/1
5	S221-362	626	399	1/1
6	S221-363	625	368	1/1
7	S221-454	626	347	1/1



- 2x a109
- 2x b51
- 4x d1 ∅5x17 mm
- 4x e3 ∅6x13 mm
- 12x f1 ∅8x30 mm
- 4x k1
- 2x m3 L=236 mm
- 4x p51 ∅3,5x15 mm
- 8x r1 ∅15x12 mm #16
- 8x r42
- 6x p1 ∅3,5x13 mm

1 

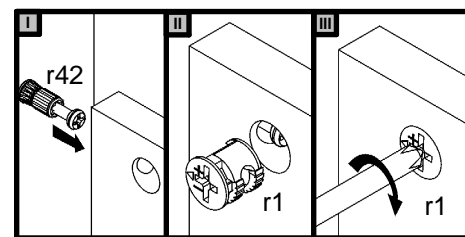
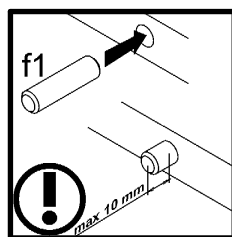
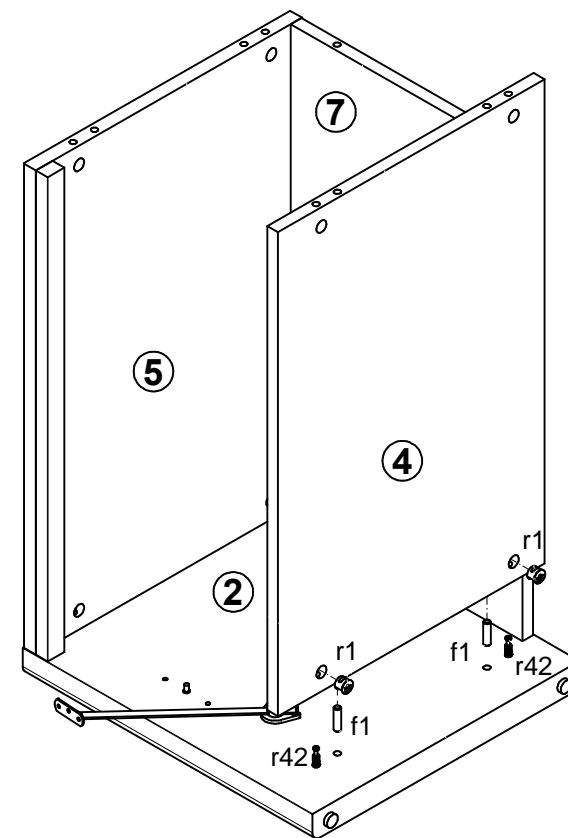
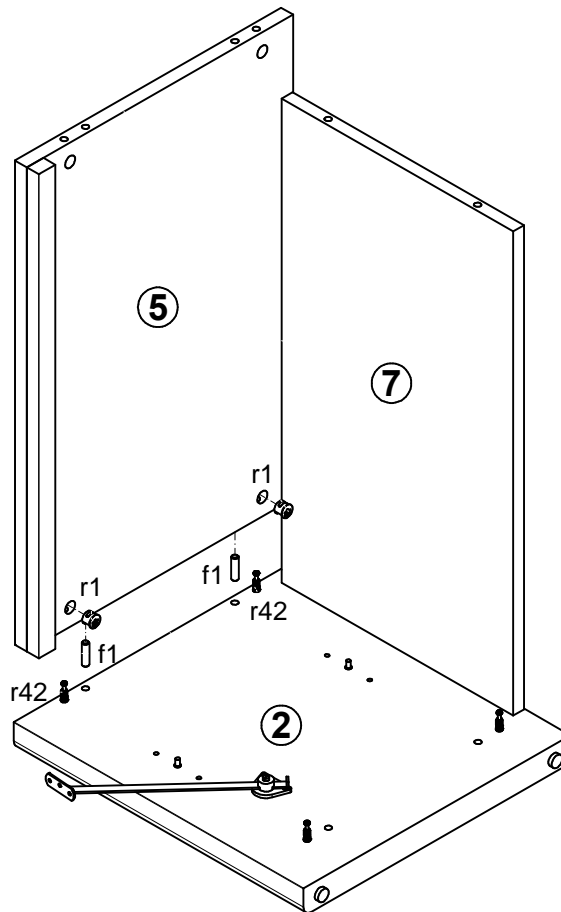
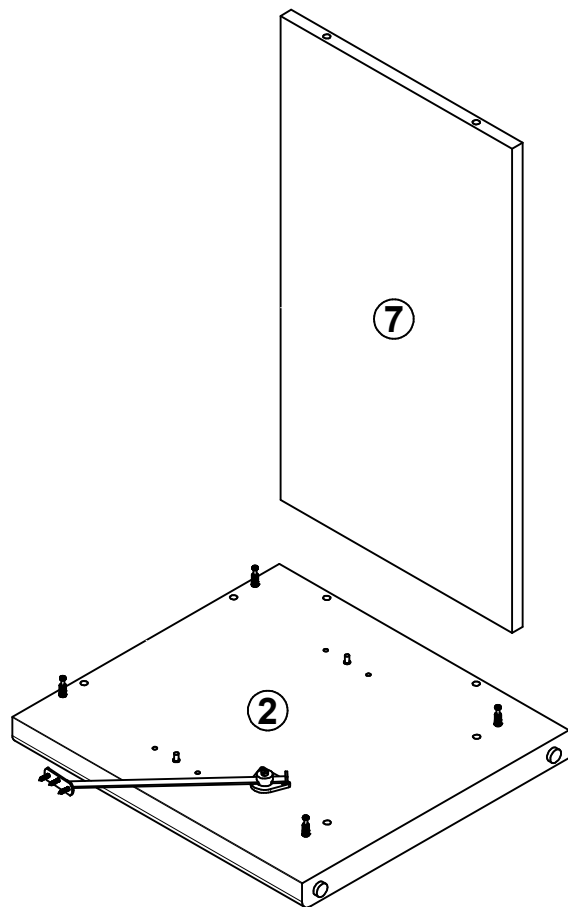




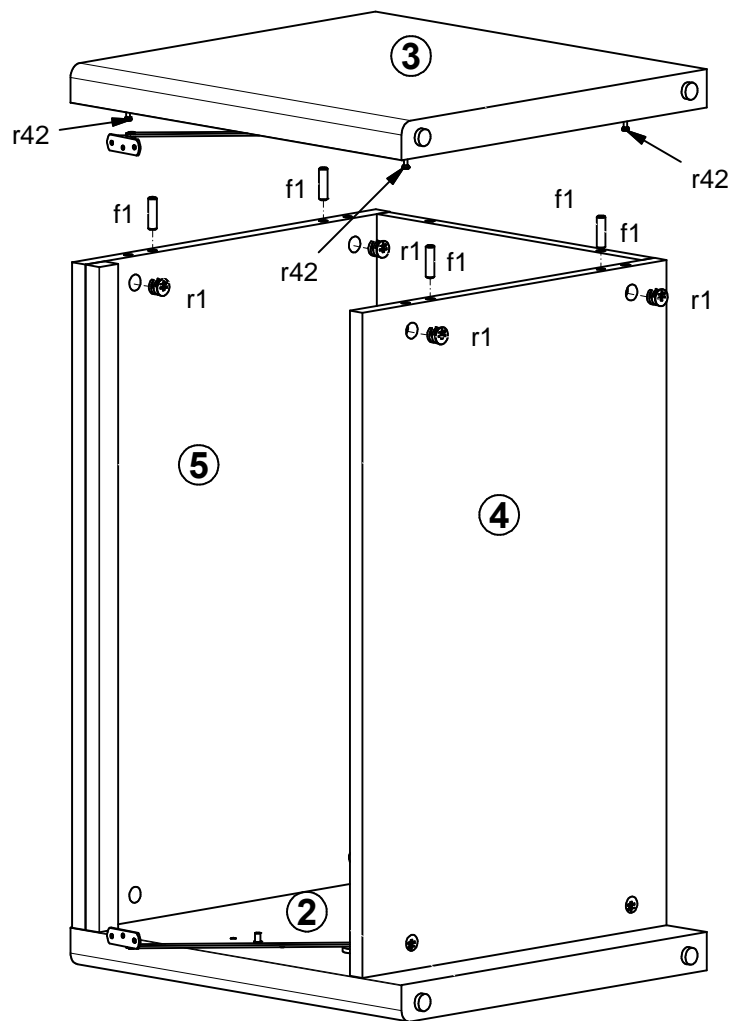
2

3

4



5



6

