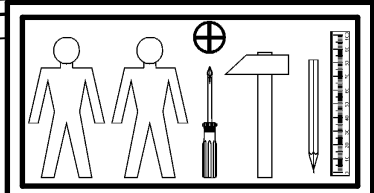
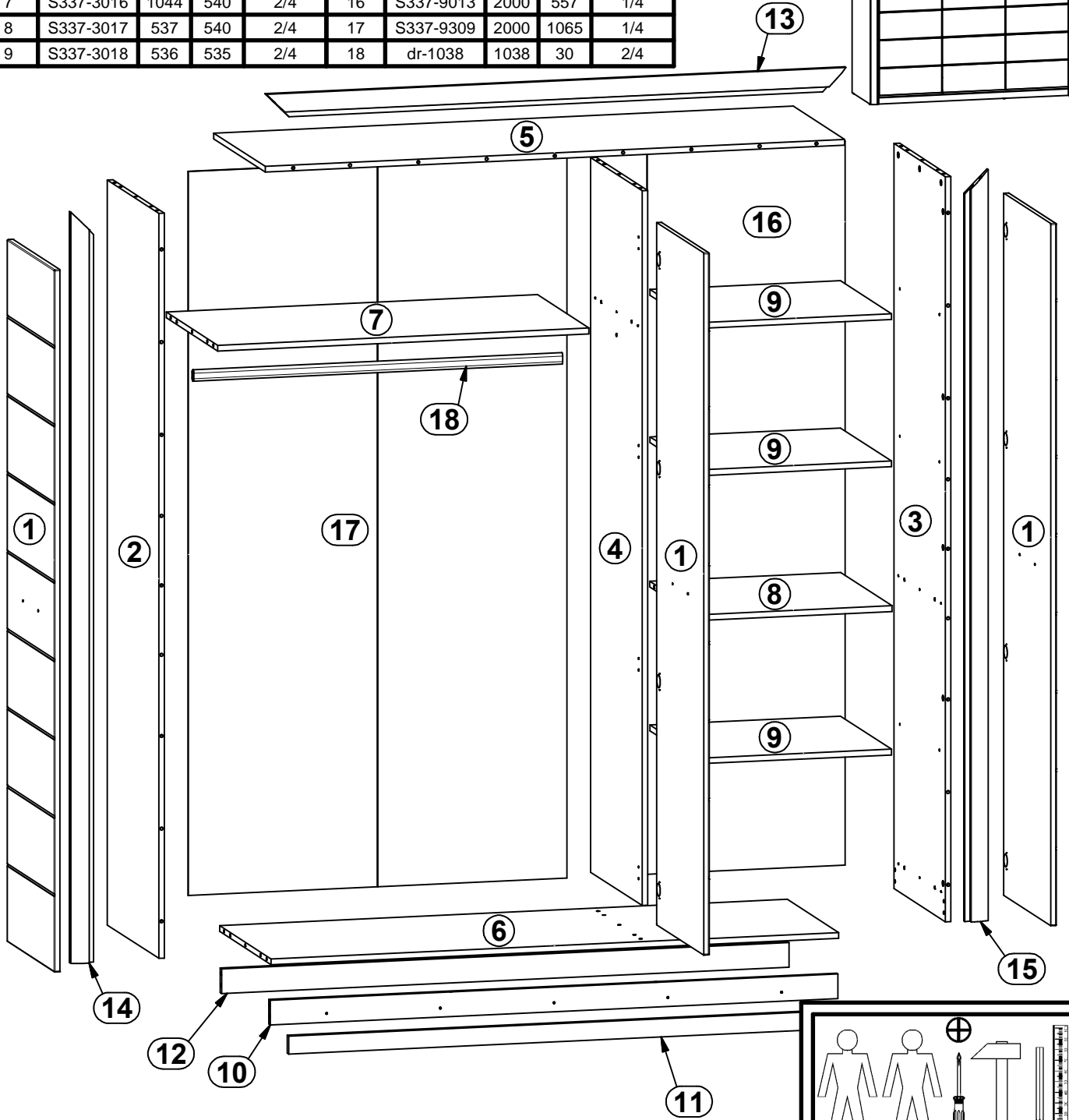
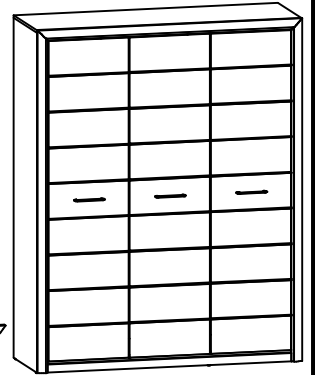
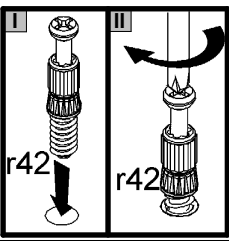
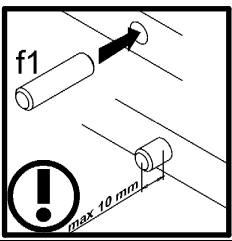
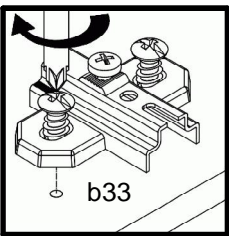
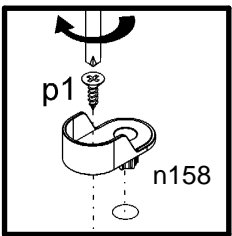
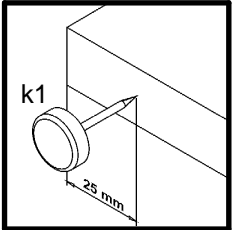
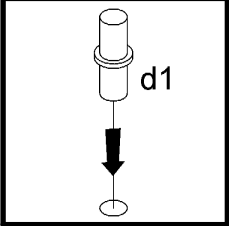
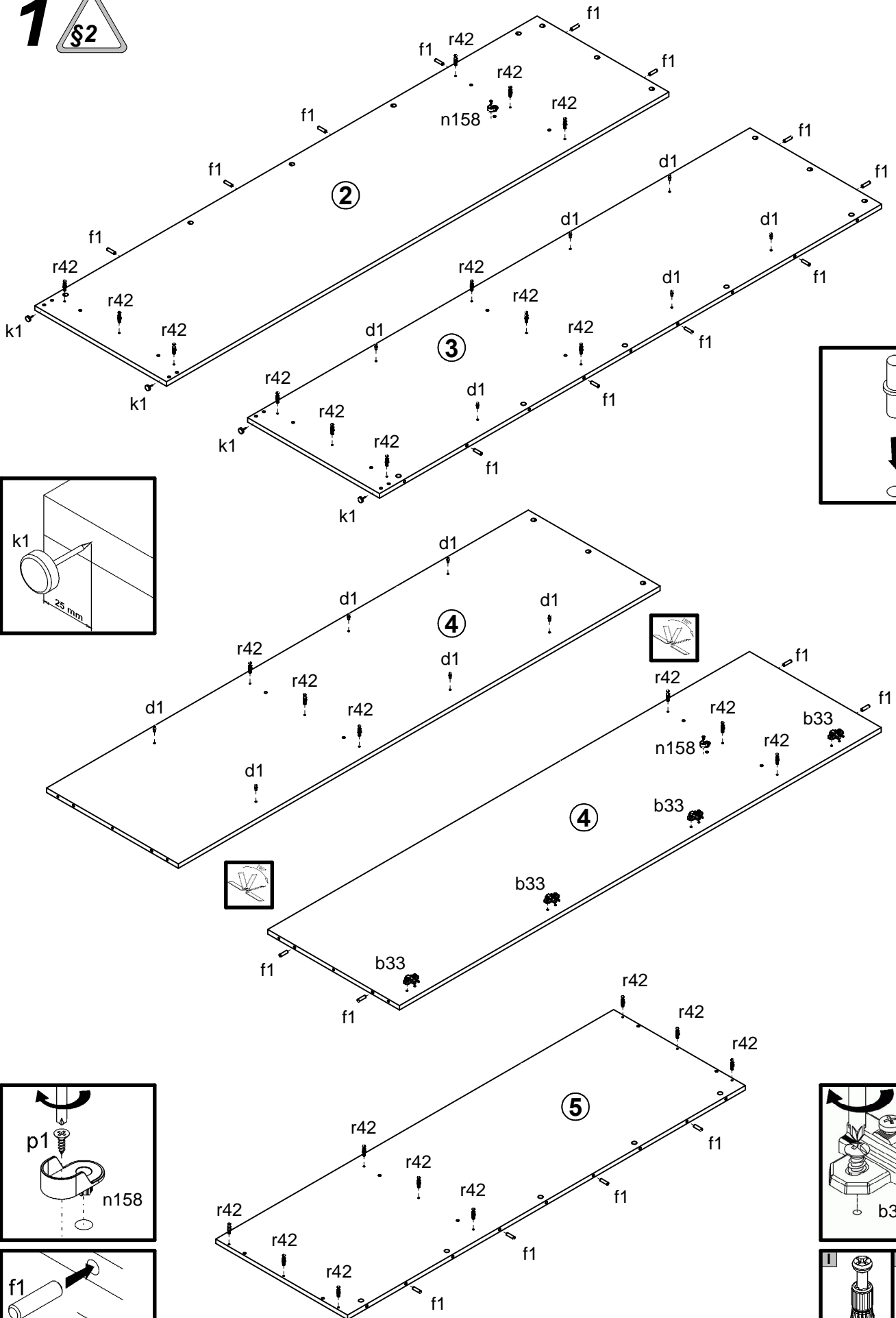


A	B	C	D	A	B	C	D		
1	S337-0019	496	1940	4/4	10	S337-4007	1597	68	2/4
2	S337-1031	2058	540	1/4	11	S337-4009	1501	50	2/4
3	S337-1032	2058	540	1/4	12	S337-4022	1597	68	2/4
4	S337-1033	1974	540	1/4	13	S337-5009	1631	65	3/4
5	S337-2010	1630	540	2/4	14	S337-5034	2075	65	3/4
6	S337-3015	1597	540	2/4	15	S337-5035	2075	65	3/4
7	S337-3016	1044	540	2/4	16	S337-9013	2000	557	1/4
8	S337-3017	537	540	2/4	17	S337-9309	2000	1065	1/4
9	S337-3018	536	535	2/4	18	dr-1038	1038	30	2/4

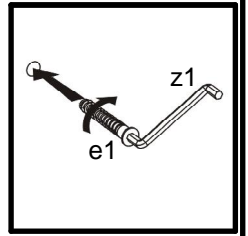
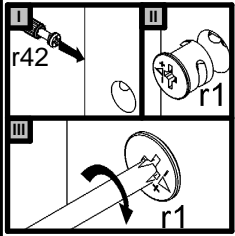
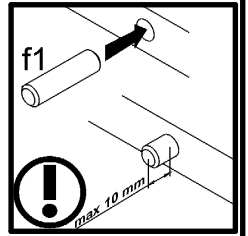
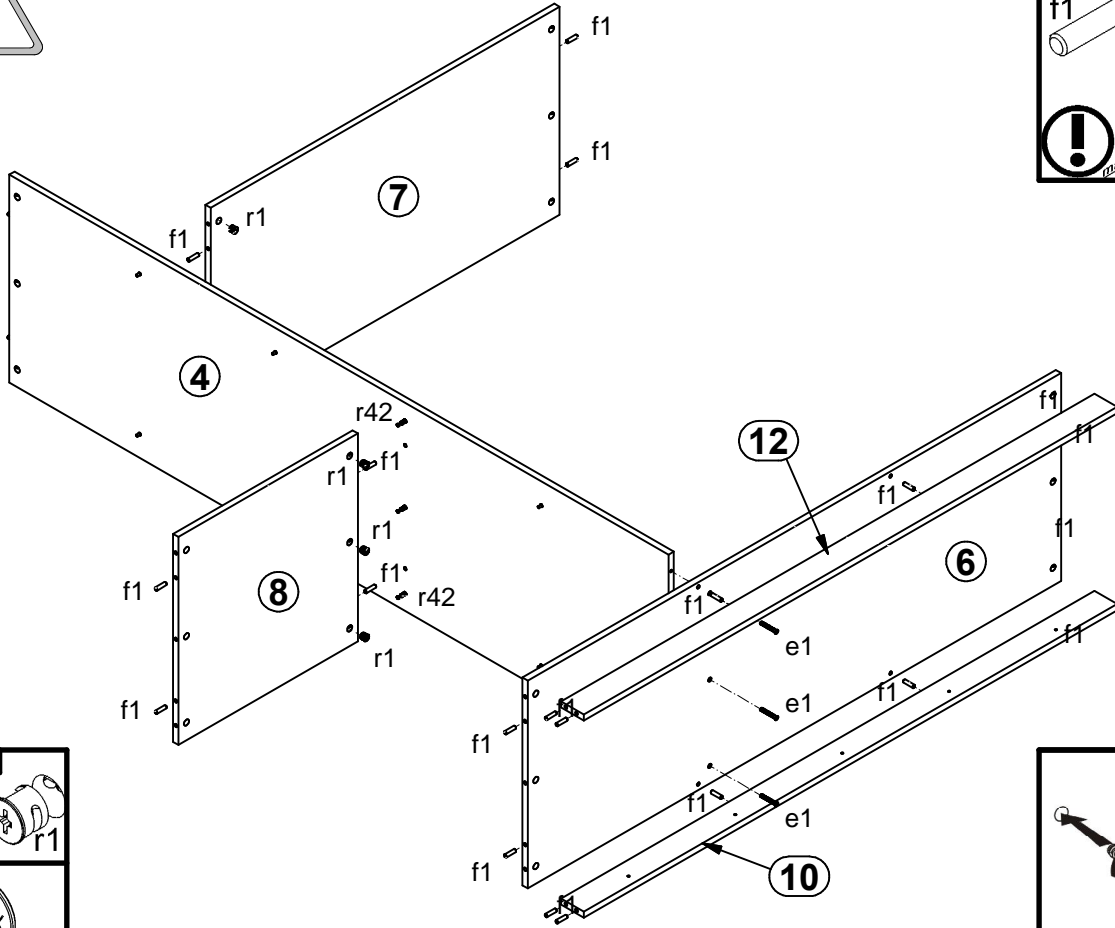


4x K9,5 a68	8x a99	4x D1,5 b33	8x D4 b43	3x c431 160 mm	12x d1 Ø5x17 mm	3x e1 Ø7x50 mm	16x e2 Ø6,3x13 mm	46x f1 Ø8x30 mm
6x M4x25 mm j8	6x k1	120x l1	1x n26	2x n158	2x p1 Ø3,5x13 mm	1x p38 Ø3,5x16 mm	24x p51 Ø3,5x15 mm	5x p94 Ø4x28 mm
46x r1 Ø15x12 mm #16	2x r10	42x r42 20/11	30x s2 Ø16	1x z1				

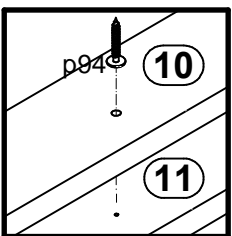
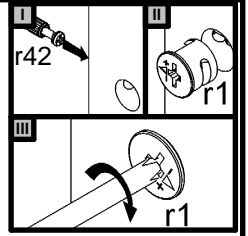
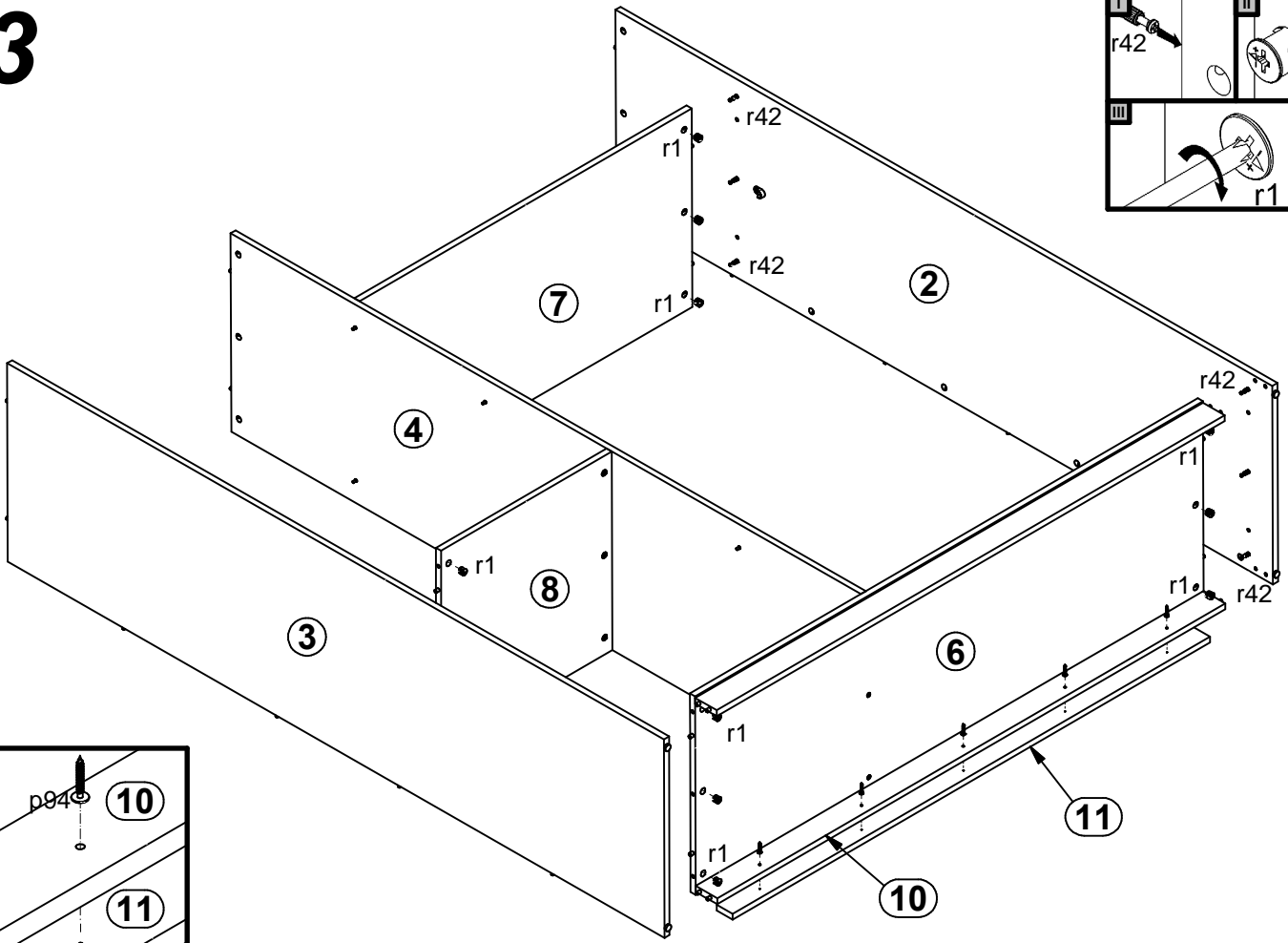
1 §2



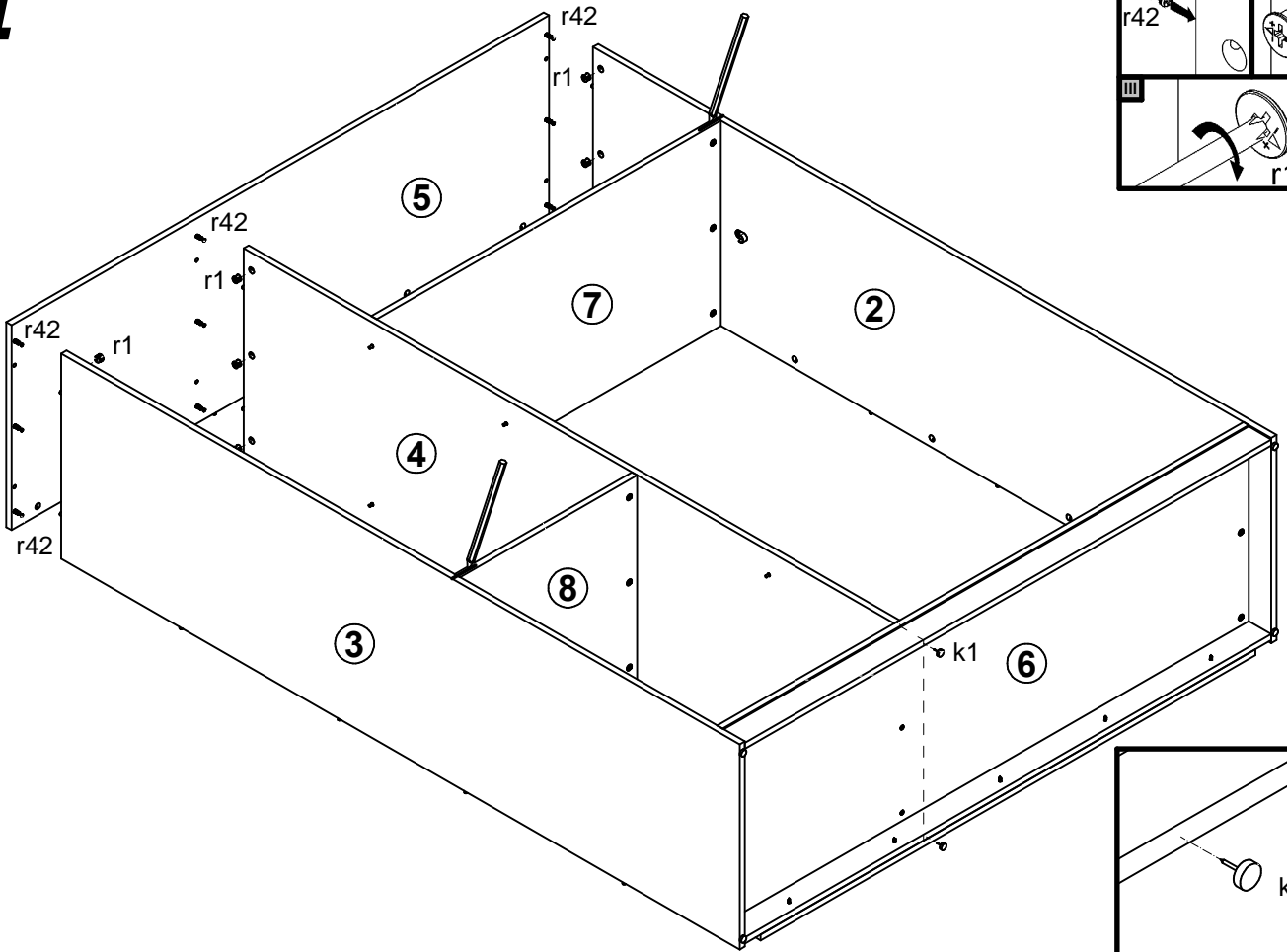
2



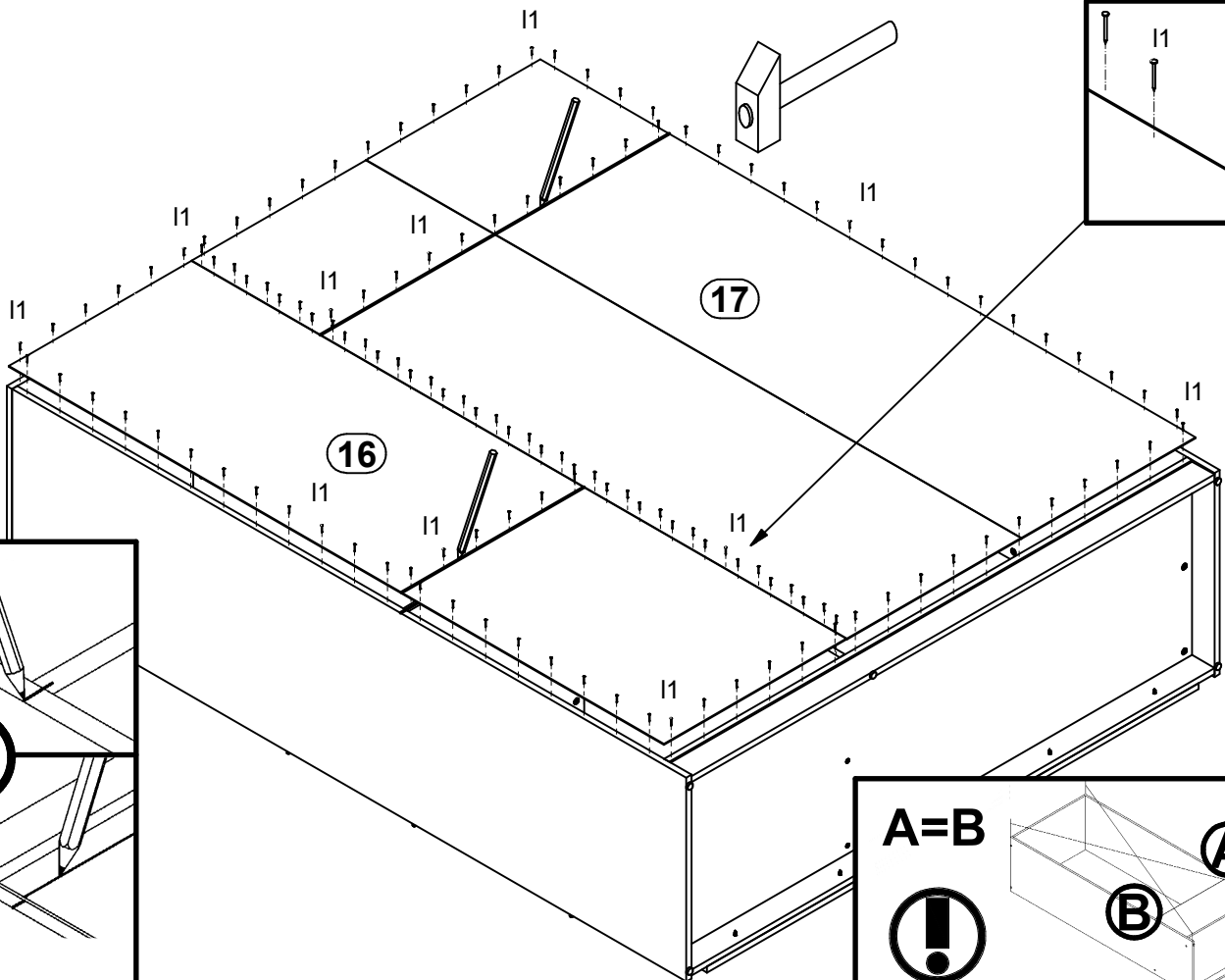
3



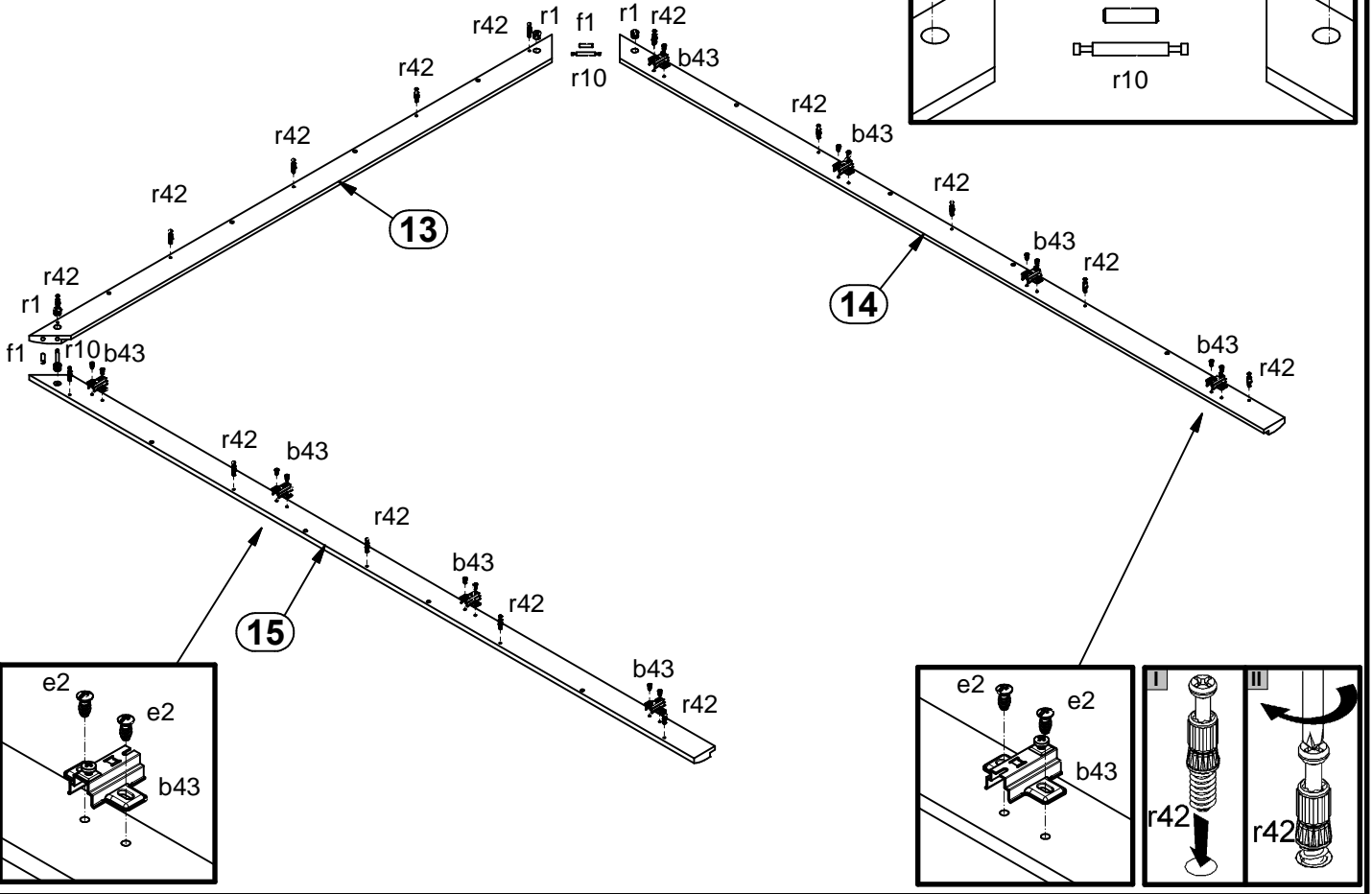
4



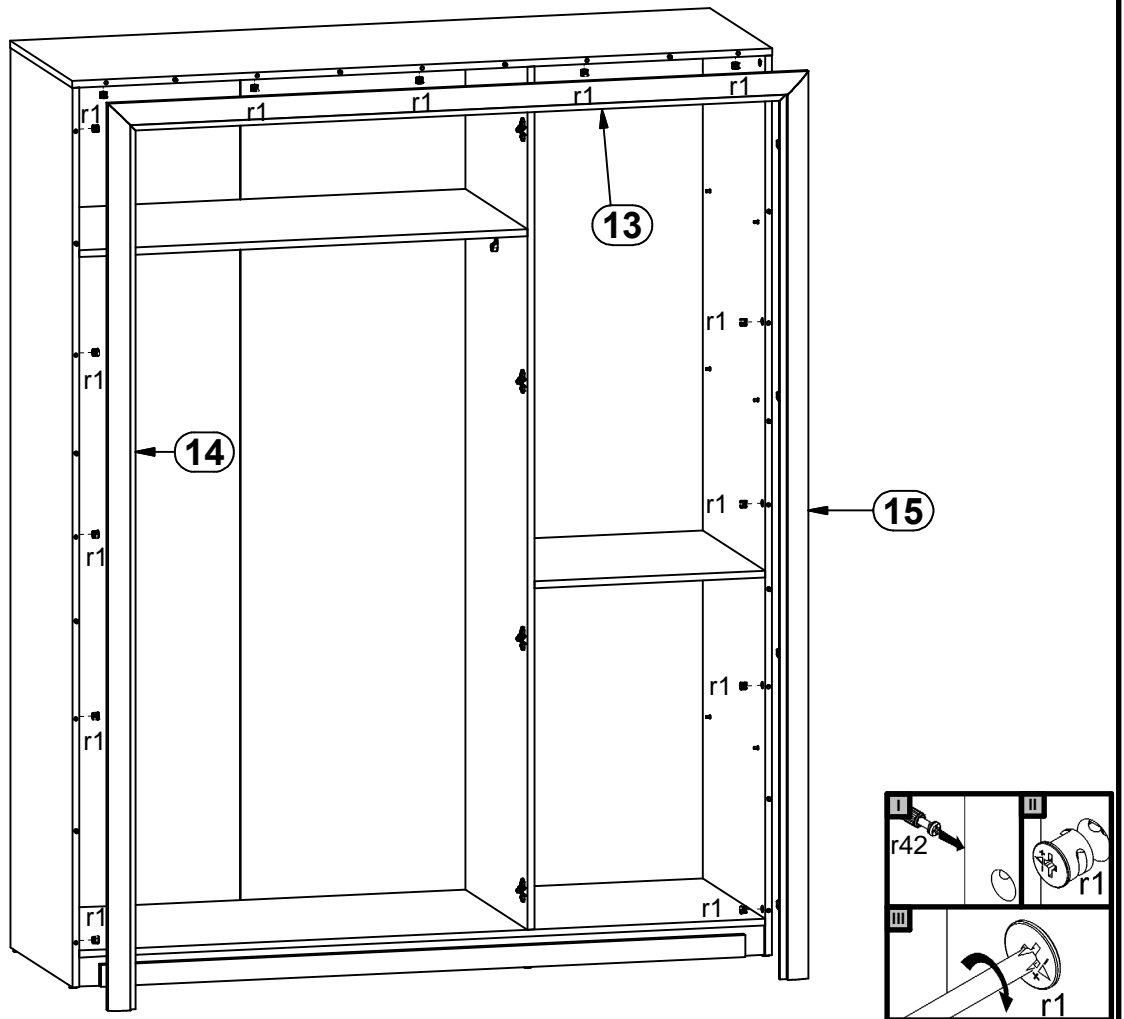
5



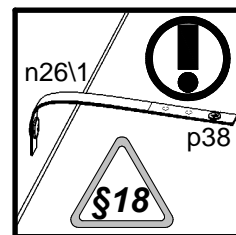
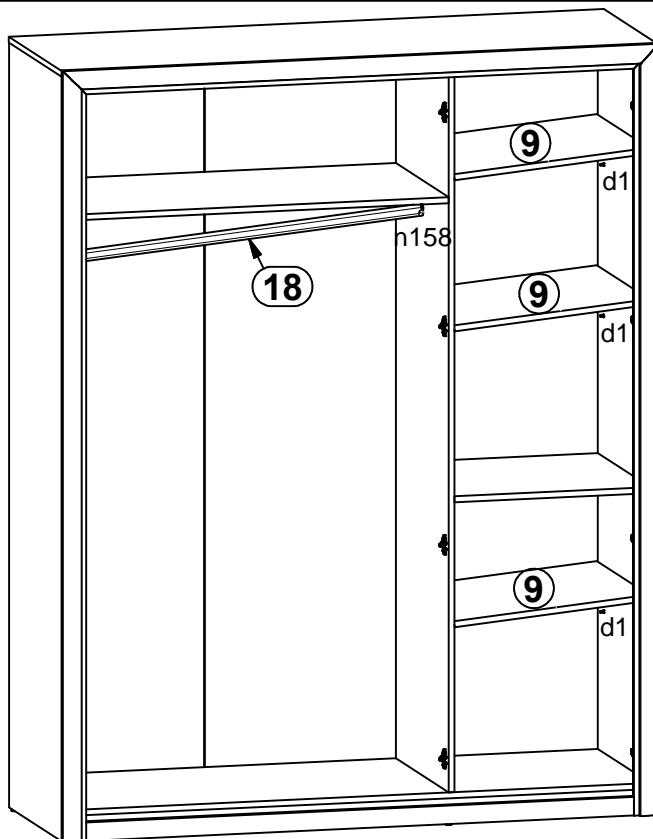
6



7



8



9

