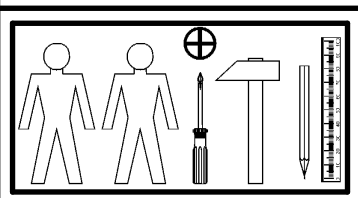
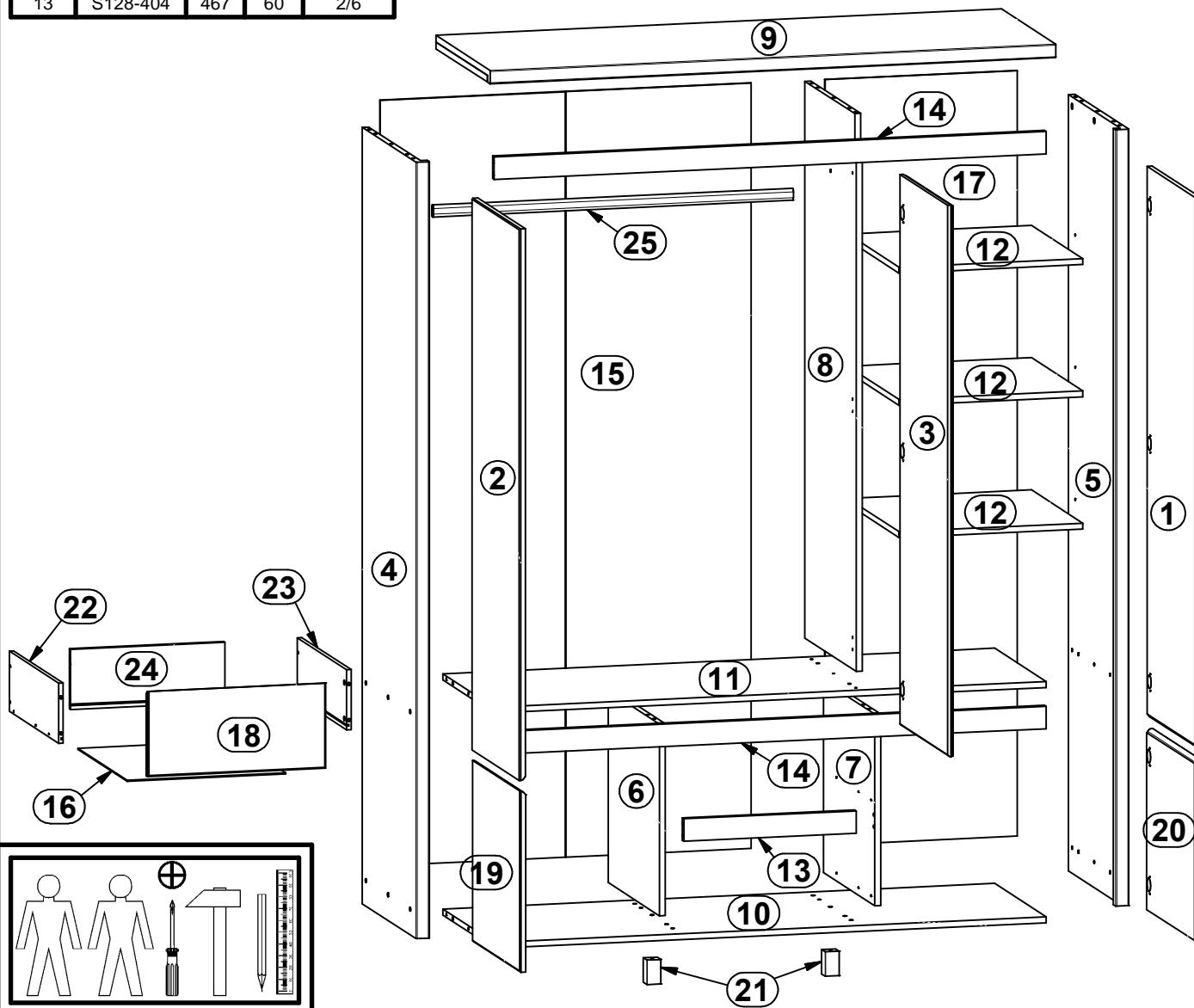
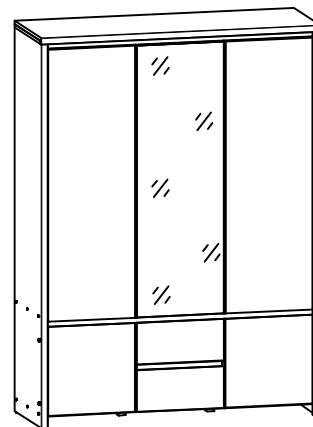


# KASPIAN

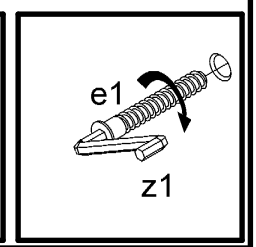
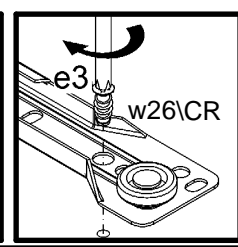
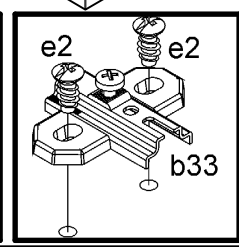
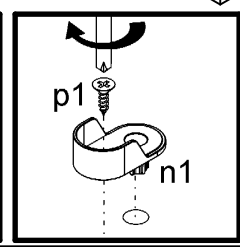
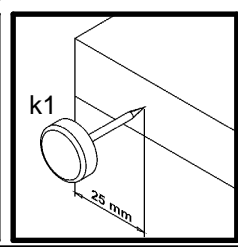
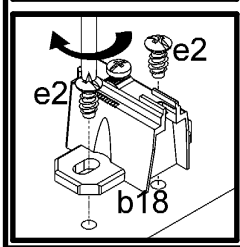
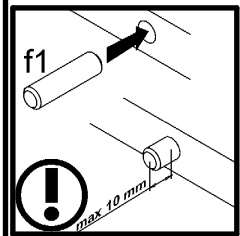
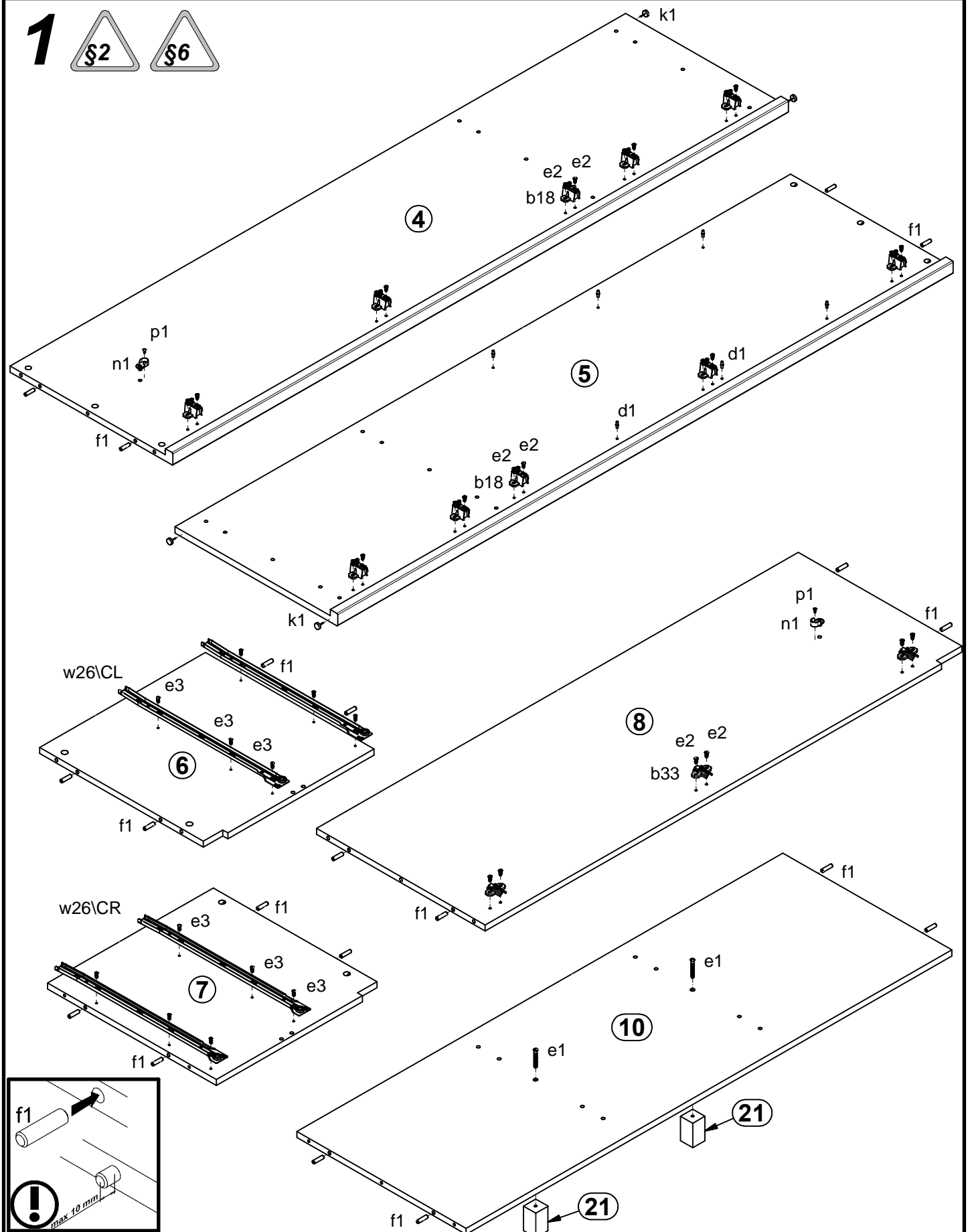
## S128-SZF5D2S

A	B	C	D	A	B	C	D		
1	S128-011	1468	482	5/6	14	S128-407	1495	60	2/6
2	S128-012	1468	482	5/6	15	S128-912	2037	1005	1/6
3	S128-013	1468	482	6/6	16	S128-913	429	498	2/6
4	S128-117	2066	546	1/6	17	S128-914	2037	521	1/6
5	S128-118	2066	546	1/6	18	S83-008	482	227	4/6
6	S128-119	510	519	3/6	19	S83-011	482	482	4/6
7	S128-120	510	519	3/6	20	S83-012	482	482	4/6
8	S128-121	1482	519	2/6	21	ZN1-501	65	38	2/6
9	S128-207	1532	549	2/6	22	ZS2-519	500	160	3/6
10	S128-310	1495	520	2/6	23	ZS2-520	500	160	3/6
11	S128-311	1495	520	2/6	24	ZS2-5522	418	160	3/6
12	S128-312	498	518	3/6	25	dr-975	975	30	2/6
13	S128-404	467	60	2/6					

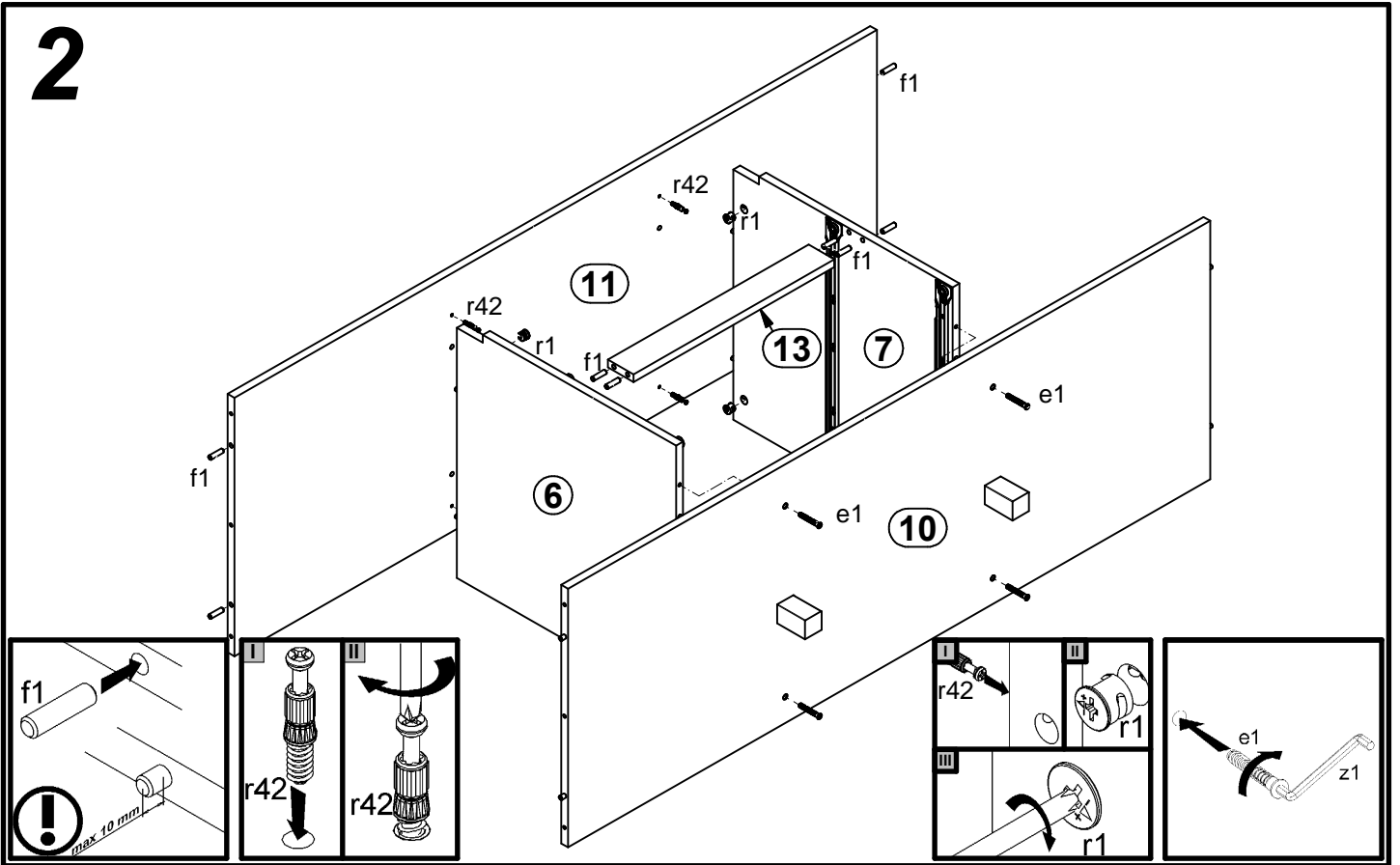


10x  a43	3x  a68	10x  b18	3x  b33	12x  d1 φ5x17 mm	18x  e1 φ7x50 mm	12x  e19 φ5x9 mm	26x  e2 φ6,3x13 mm	12x  e3 φ6x13 mm
36x  f1 φ8x30 mm	8x  f25 φ6,5x40 mm	4x  k1	125  l1	2x  n1	2x  p1 φ3,5x13 mm	26x  p51 φ3,5x15 mm	16x  r1 φ12x10,5mm #16	8x  r15 φ12x10,5mm #12
24x  r42 φ3,5x16 mm	2x  w26\CL 500 mm	2x  w26\CR 500 mm	2x  w26\DL 500 mm	2x  w26\DR 500 mm	12x  s1 φ16	12x  s2 φ16	1x  z1	1x  n26\1

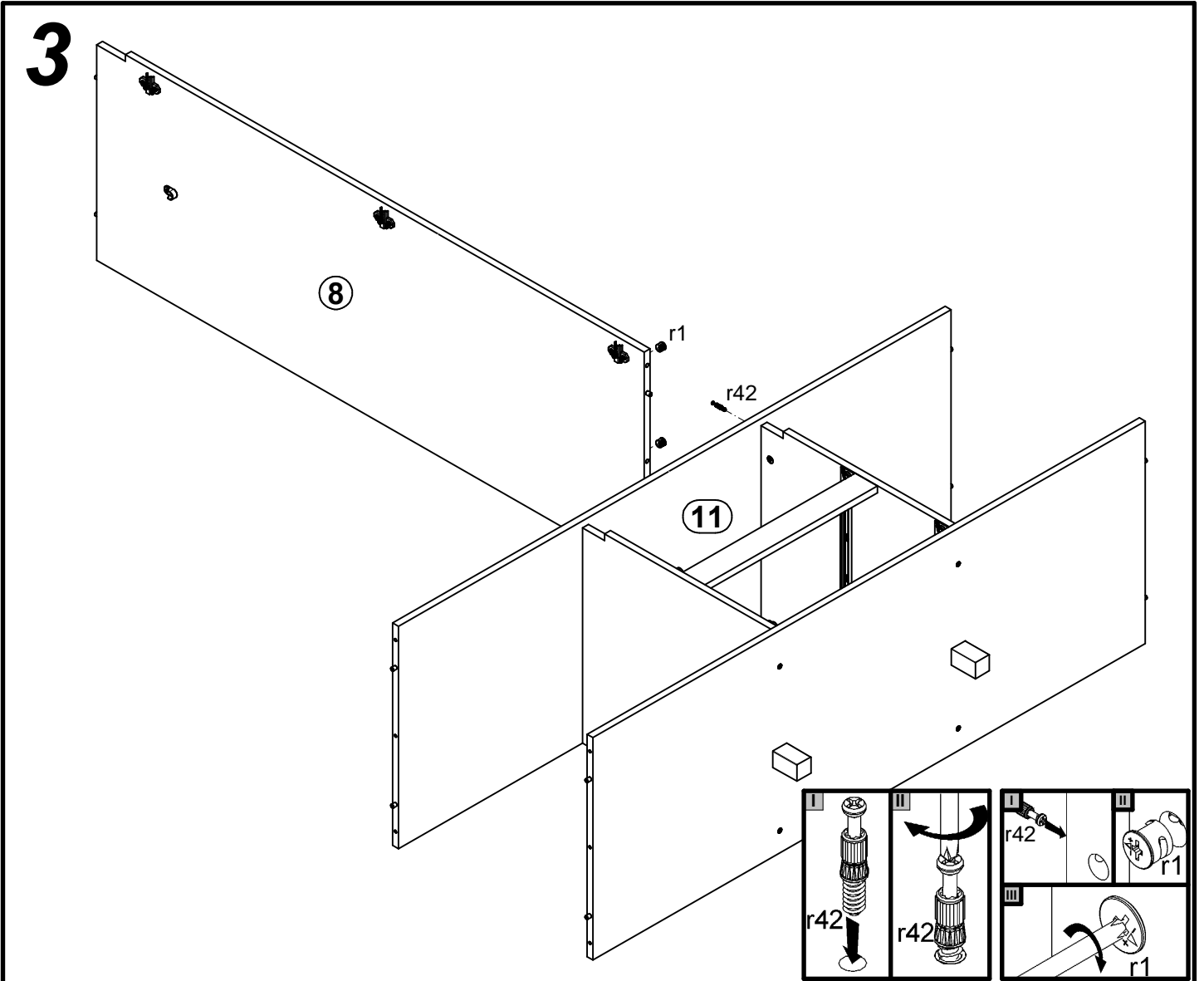
# 1



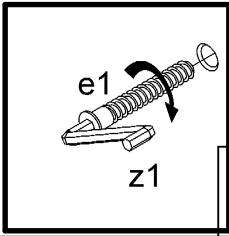
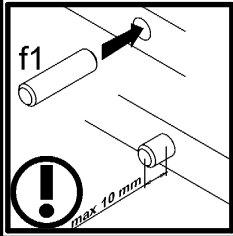
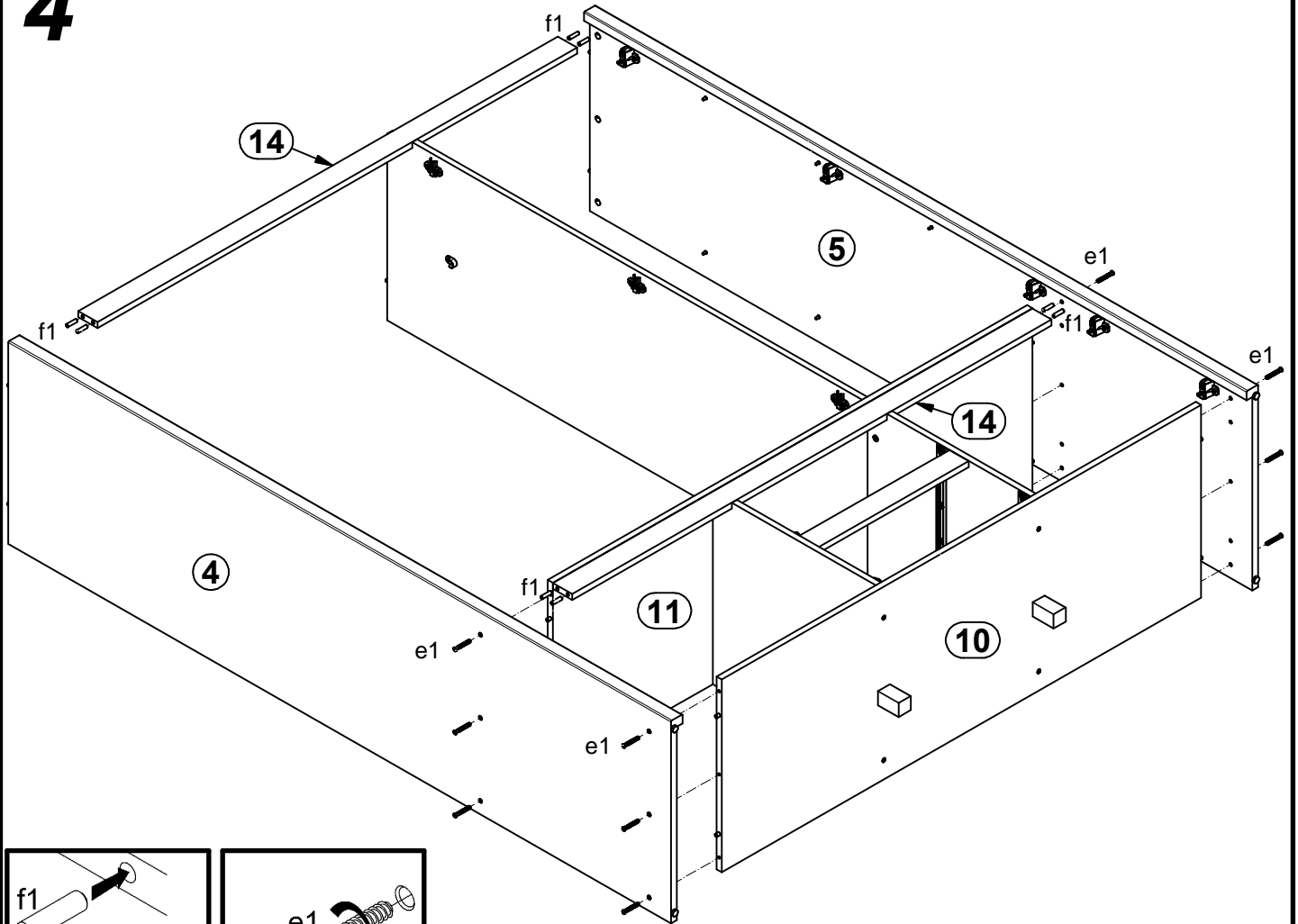
# 2



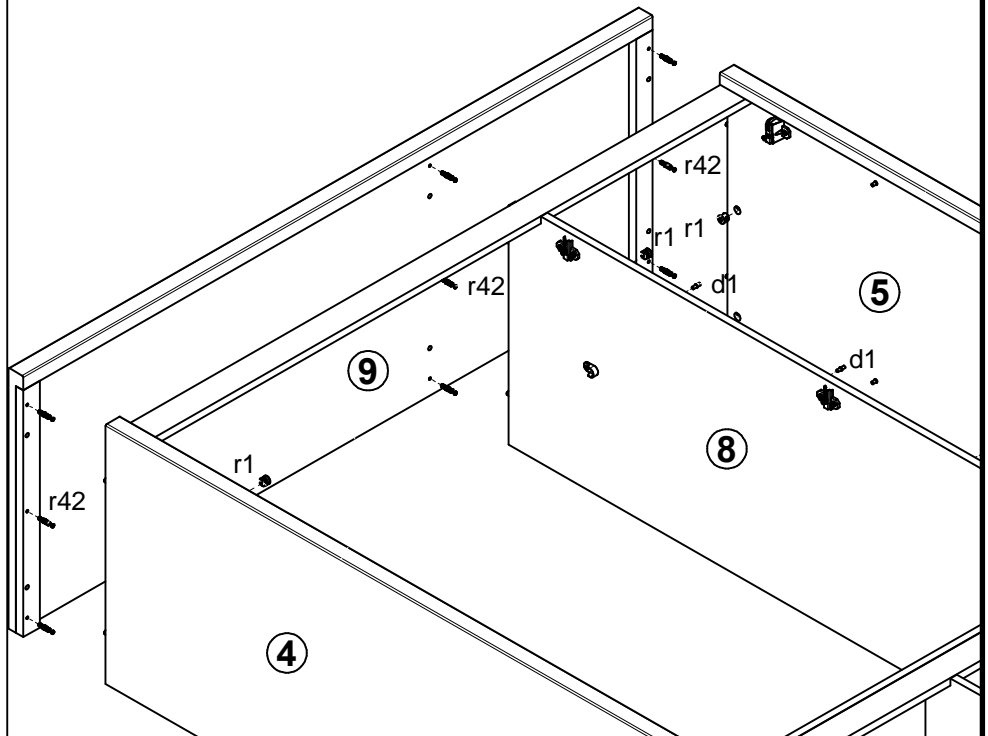
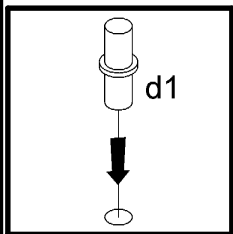
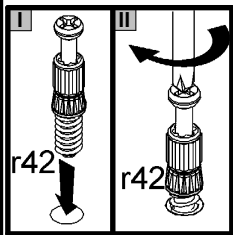
# 3



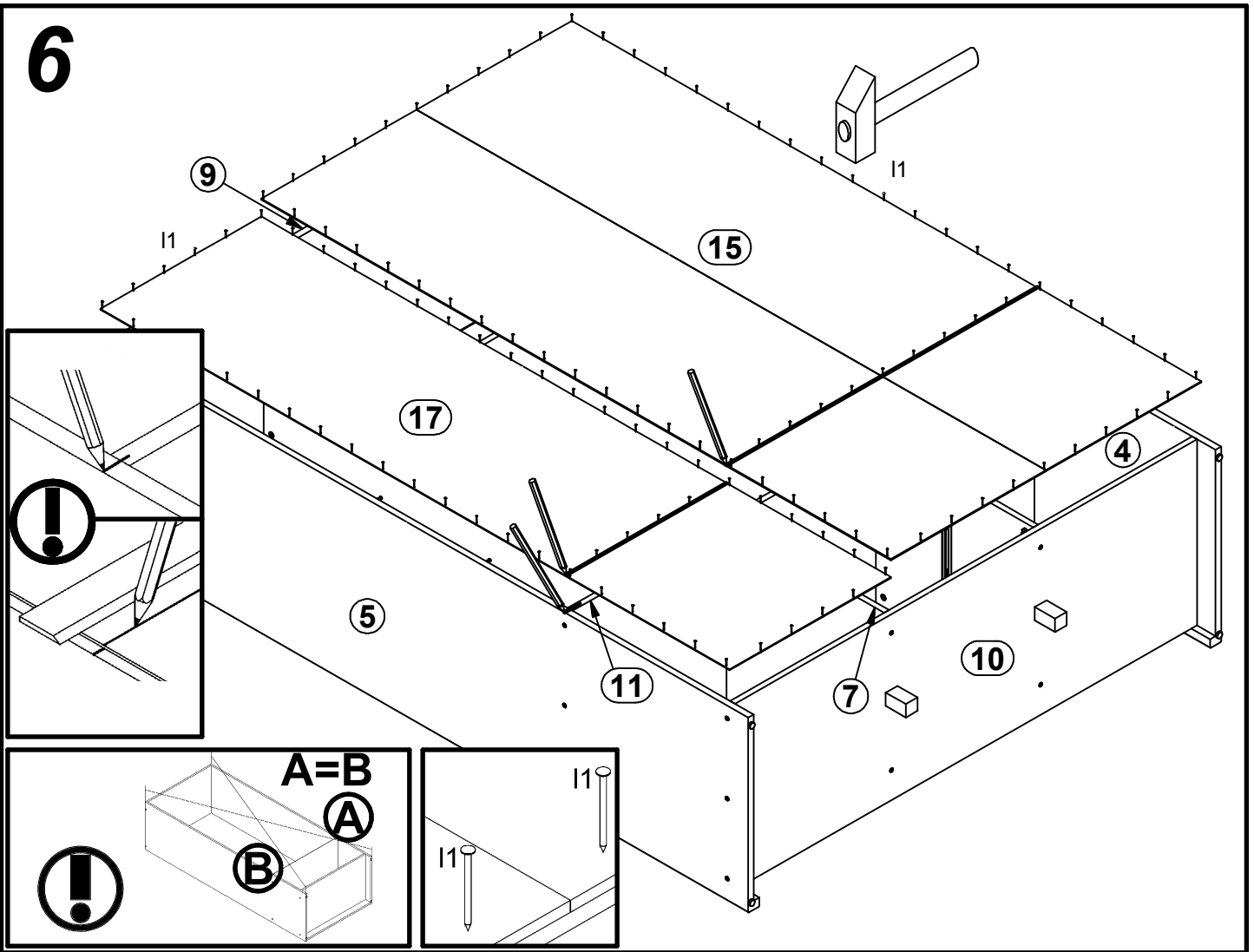
# 4



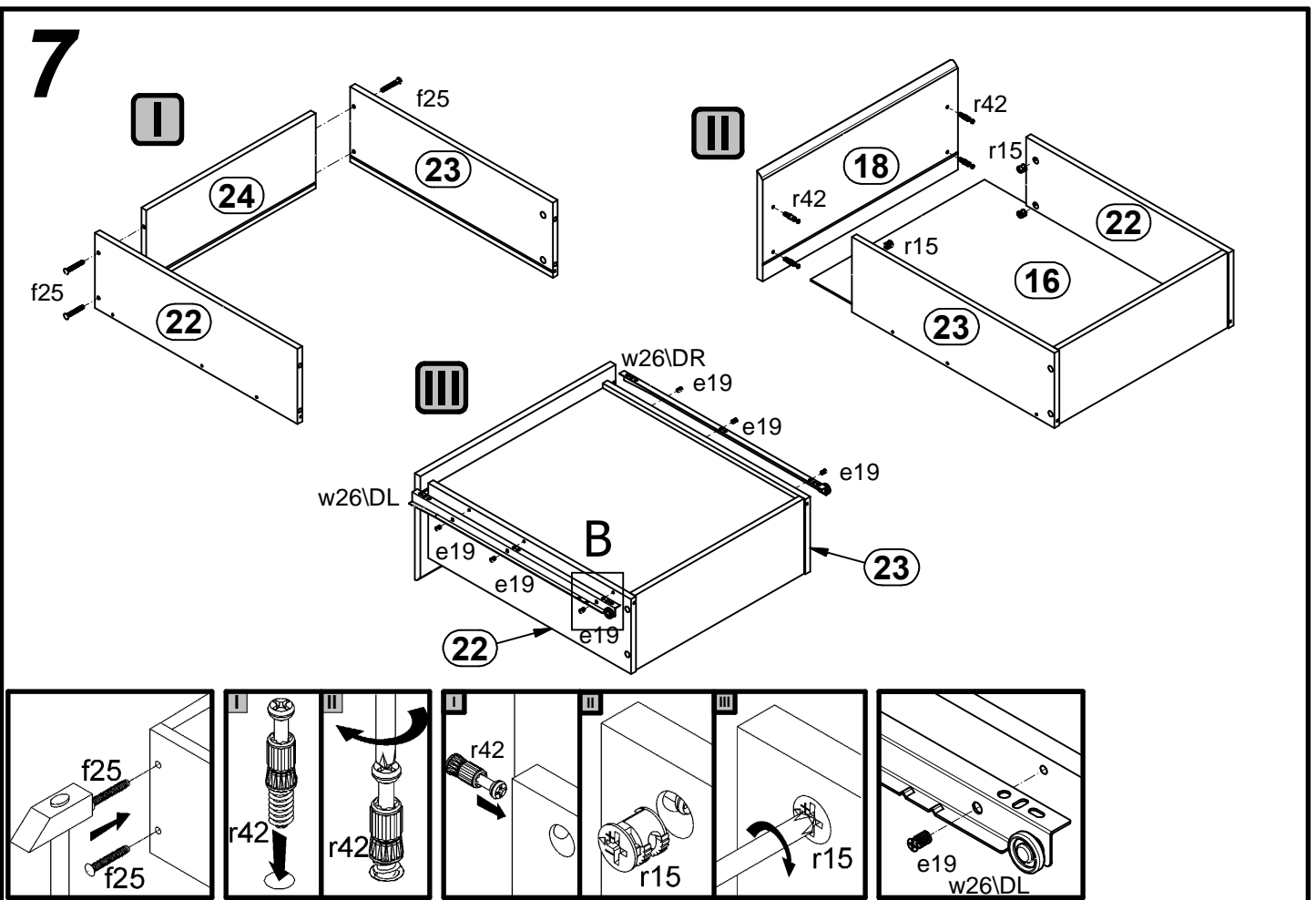
# 5



# 6



# 7



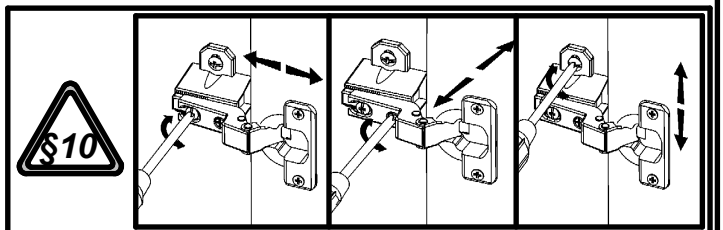
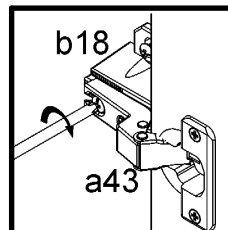
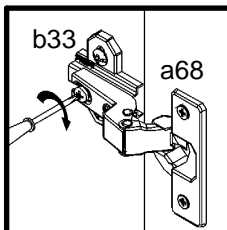
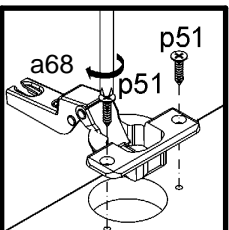
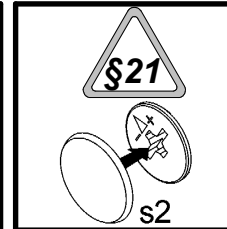
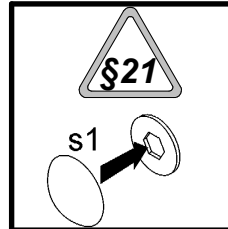
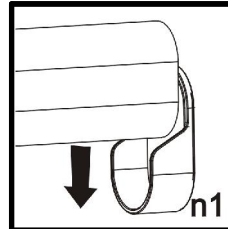
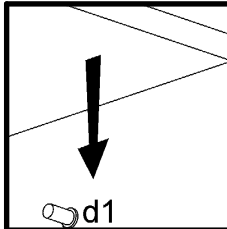
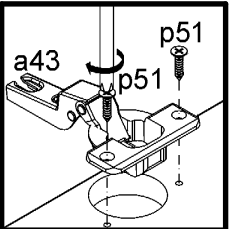
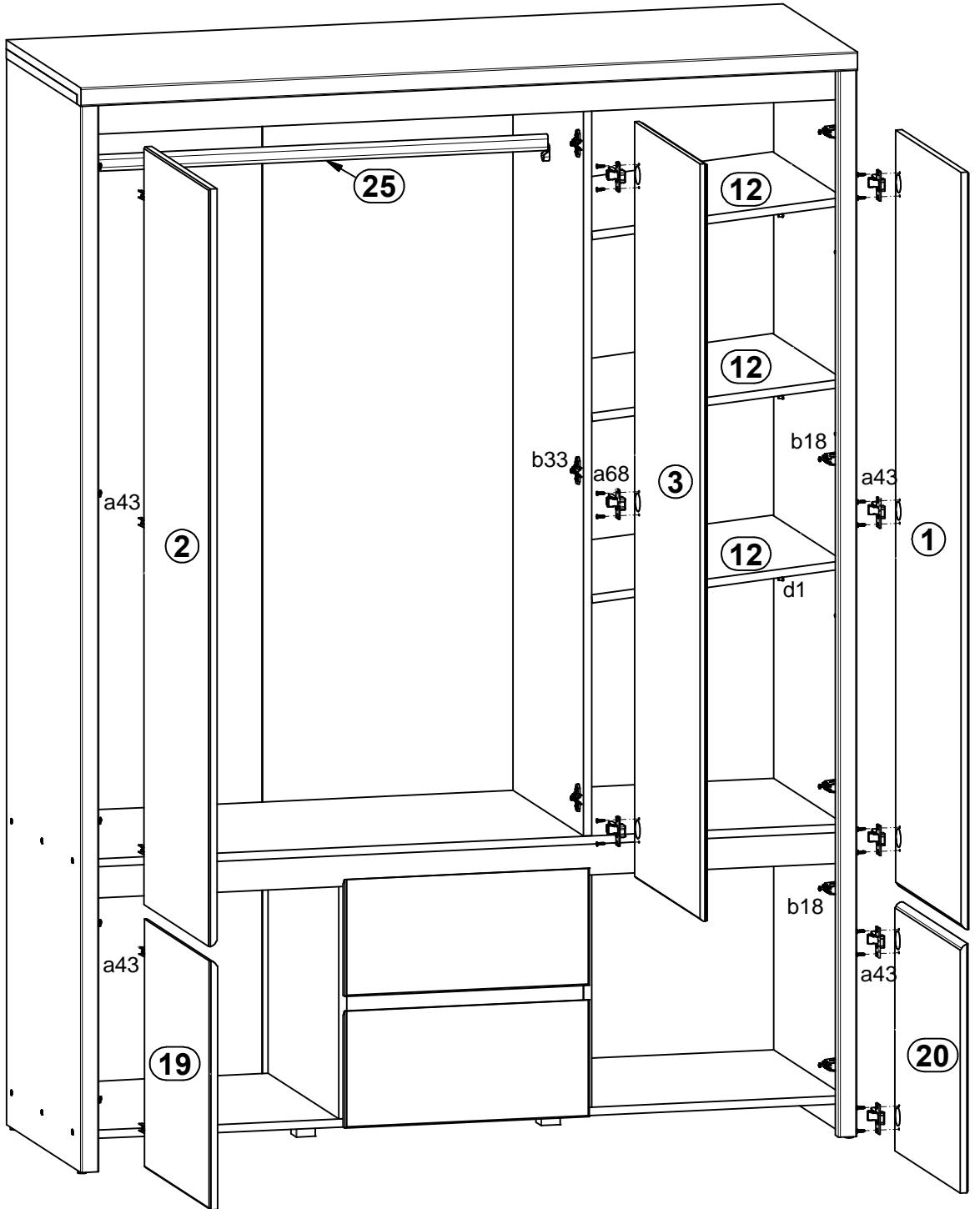
8

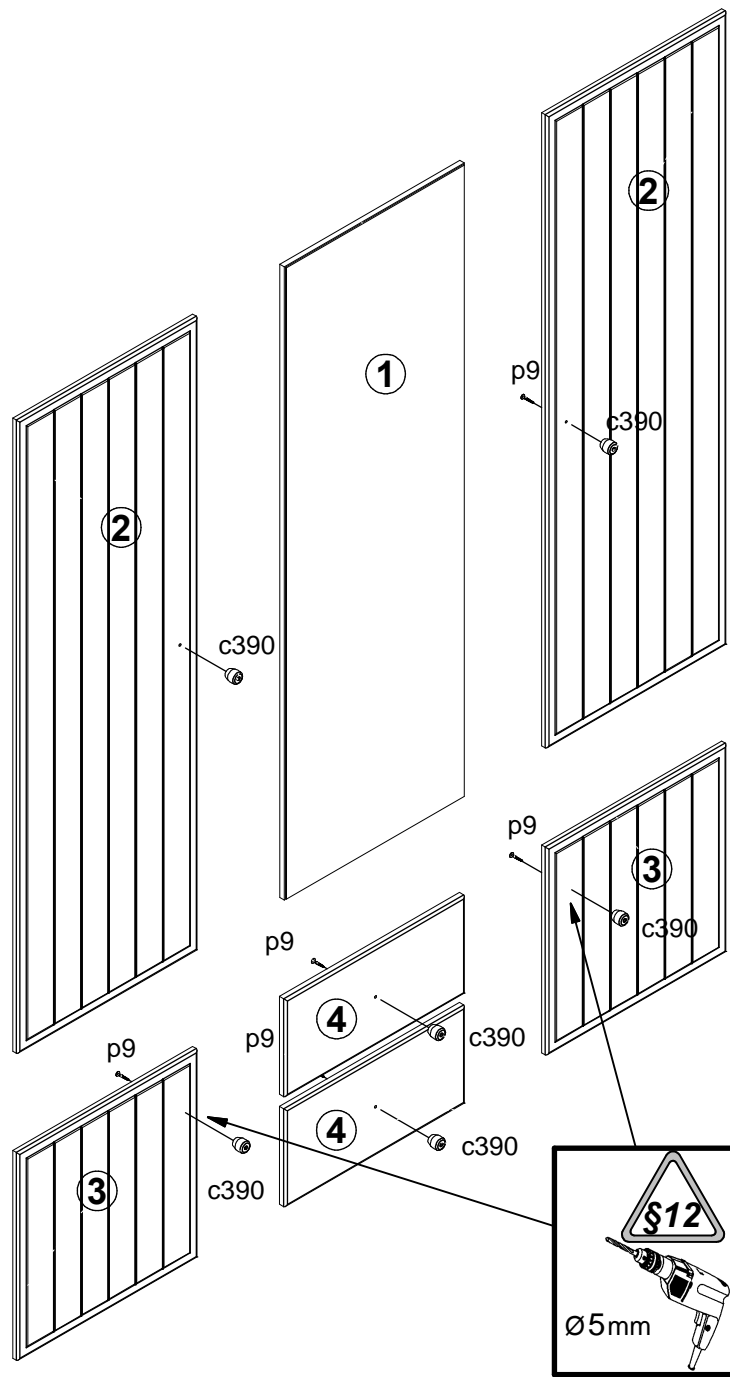
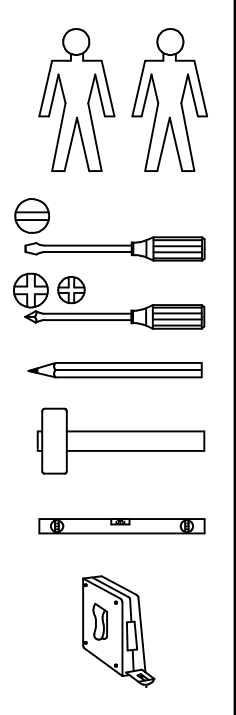


n26v1



p38





A	B	C (mm)	D
1	S128-032	1468	482
2	S264-0029	1468	482
3	S264-0030	482	482
4	S264-0031	227	482

